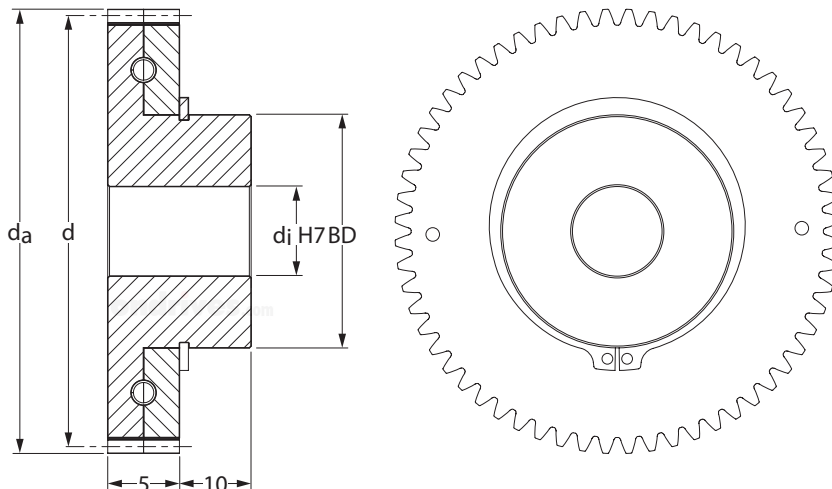
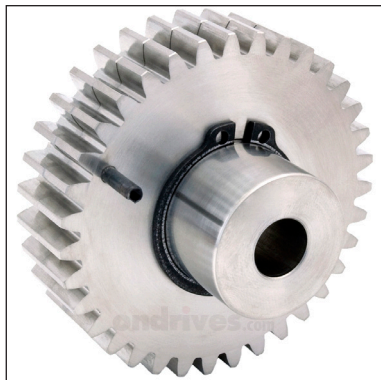


ABPSG
ABPSG-S
0.5m_n

PRECISION GEARS

0.5 Module Anti-Backlash Spur Gear α 20° PA

Quality Grade 7e DIN 3961/58405 (AGMA Q10)



DIN 58405 Tooth Thickness tol.

Part Number		No. of Teeth	Ref. Dia.	Tip Dia.	Bore H7	Max. Bore H7	Hub Dia.
817M40T	303 Stainless	<i>z</i>	<i>d</i>	<i>d_a</i>	<i>d_j</i>	<i>d_j</i>	<i>BD</i>
ABPSG0.5-50	ABPSG0.5-50S	50	25.0	26.0	5	6	13
ABPSG0.5-52	ABPSG0.5-52S	52	26.0	27.0	6	8	15
ABPSG0.5-55	ABPSG0.5-55S	55	27.5	28.5	6	8	15
ABPSG0.5-58	ABPSG0.5-58S	58	29.0	30.0	6	8	15
ABPSG0.5-60	ABPSG0.5-60S	60	30.0	31.0	6	8	15
ABPSG0.5-62	ABPSG0.5-62S	62	31.0	32.0	6	8	15
ABPSG0.5-65	ABPSG0.5-65S	65	32.5	33.5	6	8	15
ABPSG0.5-68	ABPSG0.5-68S	68	34.0	35.0	6	8	15
ABPSG0.5-70	ABPSG0.5-70S	70	35.0	36.0	6	8	15
ABPSG0.5-72	ABPSG0.5-72S	72	36.0	37.0	6	8	15
ABPSG0.5-75	ABPSG0.5-75S	75	37.5	38.5	6	8	15
ABPSG0.5-78	ABPSG0.5-78S	78	39.0	40.0	8	12	25
ABPSG0.5-80	ABPSG0.5-80S	80	40.0	41.0	8	12	25
ABPSG0.5-82	ABPSG0.5-82S	82	41.0	42.0	8	12	25
ABPSG0.5-85	ABPSG0.5-85S	85	42.5	43.5	8	12	25
ABPSG0.5-90	ABPSG0.5-90S	90	45.0	46.0	8	12	25
ABPSG0.5-95	ABPSG0.5-95S	95	47.5	48.5	8	12	25
ABPSG0.5-100	ABPSG0.5-100S	100	50.0	51.0	8	12	25
ABPSG0.5-105	ABPSG0.5-105S	105	52.5	53.5	10	14	30
ABPSG0.5-110	ABPSG0.5-110S	110	55.0	56.0	10	14	30
ABPSG0.5-115	ABPSG0.5-115S	115	57.5	58.5	10	14	30
ABPSG0.5-120	ABPSG0.5-120S	120	60.0	61.0	10	14	30
ABPSG0.5-130	ABPSG0.5-130S	130	65.0	66.0	10	14	30
ABPSG0.5-140	ABPSG0.5-140S	140	70.0	71.0	12	25	45
ABPSG0.5-150	ABPSG0.5-150S	150	75.0	76.0	12	25	45
ABPSG0.5-160	ABPSG0.5-160S	160	80.0	81.0	12	25	45
ABPSG0.5-170	ABPSG0.5-170S	170	85.0	86.0	12	25	45
ABPSG0.5-180	ABPSG0.5-180S	180	90.0	91.0	14	30	50
ABPSG0.5-190	ABPSG0.5-190S	190	95.0	96.0	14	30	50
ABPSG0.5-200	ABPSG0.5-200S	200	100.0	101.0	14	30	50
ABPSG0.5-210	ABPSG0.5-210S	210	105.0	106.0	14	30	50
ABPSG0.5-220	ABPSG0.5-220S	220	110.0	111.0	16	40	65
ABPSG0.5-230	ABPSG0.5-230S	230	115.0	116.0	16	40	65
ABPSG0.5-240	ABPSG0.5-240S	240	120.0	121.0	16	40	65
ABPSG0.5-250	ABPSG0.5-250S	250	125.0	126.0	16	40	65

ABPSG ABPSG-S 0.5m_n

PRECISION GEARS

0.5 Module Anti-Backlash Spur Gear α 20° PA

Quality Grade 7e DIN 3961/58405 (AGMA Q10)

Standard Part **ABPSG 0.5 50**

Modified Part **ABPSG 0.5 50 S 6 K T**

ABPSG - Precision Anti-Backlash Spur Gear
Quality Grade 7e DIN 3961/58405
Other Quality Grades available.
See Technical

m_n Module - Cut with DIN 867 1.25/0.20/1.0
Ref. Tooth Profile Topping WD = 2.25 x m_n

Number of Teeth **z**

Standard Material = 817M40T
S = 303 Stainless Steel

T = 1 x Tapped hole **2T** = 2 x Tapped holes
P = 1 x Pin Hole **PT** = 1 x Pin Hole through
All threads metric as standard.
See Technical

K- Keyway supplied to
DIN 6885 - Js9 tolerance.
See Technical

To specify different bore enter size required
Example: 6 = 6mm H7 etc
See Technical

η_z Meshing Efficiency approx. 98%

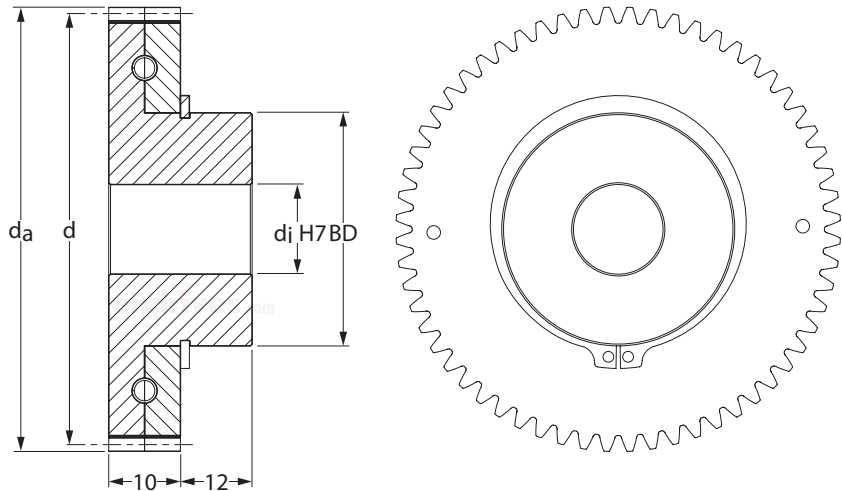
Part Number 817M40T	Inertia kgm ²	Mass kg	Torque T ₂ Nm n ₂ 100 Rpm	Part Number 303 Stainless	Inertia kgm ²	Mass kg	Torque T ₂ Nm n ₂ 100 Rpm
ABPSG0.5-50	1.30 x 10 ⁻⁶	0.027	0.21	ABPSG0.5-50S	1.33 x 10 ⁻⁶	0.028	0.21
ABPSG0.5-52	1.58 x 10 ⁻⁶	0.031	0.23	ABPSG0.5-52S	1.61 x 10 ⁻⁶	0.032	0.23
ABPSG0.5-55	1.95 x 10 ⁻⁶	0.034	0.24	ABPSG0.5-55S	1.99 x 10 ⁻⁶	0.034	0.24
ABPSG0.5-58	2.38 x 10 ⁻⁶	0.036	0.25	ABPSG0.5-58S	2.43 x 10 ⁻⁶	0.037	0.25
ABPSG0.5-60	2.72 x 10 ⁻⁶	0.038	0.25	ABPSG0.5-60S	2.77 x 10 ⁻⁶	0.039	0.25
ABPSG0.5-62	3.09 x 10 ⁻⁶	0.040	0.26	ABPSG0.5-62S	3.15 x 10 ⁻⁶	0.041	0.26
ABPSG0.5-65	3.73 x 10 ⁻⁶	0.043	0.27	ABPSG0.5-65S	3.80 x 10 ⁻⁶	0.044	0.27
ABPSG0.5-68	4.46 x 10 ⁻⁶	0.046	0.27	ABPSG0.5-68S	4.55 x 10 ⁻⁶	0.047	0.27
ABPSG0.5-70	5.01 x 10 ⁻⁶	0.048	0.28	ABPSG0.5-70S	5.11 x 10 ⁻⁶	0.049	0.28
ABPSG0.5-72	5.61 x 10 ⁻⁶	0.050	0.29	ABPSG0.5-72S	5.72 x 10 ⁻⁶	0.051	0.29
ABPSG0.5-75	6.62 x 10 ⁻⁶	0.054	0.29	ABPSG0.5-75S	6.75 x 10 ⁻⁶	0.055	0.29
ABPSG0.5-78	9.62 x 10 ⁻⁶	0.079	0.36	ABPSG0.5-78S	9.81 x 10 ⁻⁶	0.081	0.36
ABPSG0.5-80	1.05 x 10 ⁻⁵	0.082	0.37	ABPSG0.5-80S	1.07 x 10 ⁻⁵	0.083	0.37
ABPSG0.5-82	1.13 x 10 ⁻⁵	0.084	0.37	ABPSG0.5-82S	1.16 x 10 ⁻⁵	0.086	0.37
ABPSG0.5-85	1.28 x 10 ⁻⁵	0.088	0.38	ABPSG0.5-85S	1.31 x 10 ⁻⁵	0.090	0.38
ABPSG0.5-90	1.57 x 10 ⁻⁵	0.095	0.39	ABPSG0.5-90S	1.60 x 10 ⁻⁵	0.097	0.39
ABPSG0.5-95	1.91 x 10 ⁻⁵	0.102	0.41	ABPSG0.5-95S	1.95 x 10 ⁻⁵	0.104	0.41
ABPSG0.5-100	2.31 x 10 ⁻⁵	0.109	0.42	ABPSG0.5-100S	2.36 x 10 ⁻⁵	0.111	0.42
ABPSG0.5-105	2.96 x 10 ⁻⁵	0.131	0.47	ABPSG0.5-105S	3.02 x 10 ⁻⁵	0.133	0.47
ABPSG0.5-110	3.50 x 10 ⁻⁵	0.139	0.48	ABPSG0.5-110S	3.57 x 10 ⁻⁵	0.142	0.48
ABPSG0.5-115	4.12 x 10 ⁻⁵	0.148	0.49	ABPSG0.5-115S	4.20 x 10 ⁻⁵	0.151	0.49
ABPSG0.5-120	4.84 x 10 ⁻⁵	0.157	0.51	ABPSG0.5-120S	4.93 x 10 ⁻⁵	0.160	0.51
ABPSG0.5-130	6.56 x 10 ⁻⁵	0.176	0.54	ABPSG0.5-130S	6.69 x 10 ⁻⁵	0.179	0.54
ABPSG0.5-140	1.08 x 10 ⁻⁴	0.262	0.65	ABPSG0.5-140S	1.10 x 10 ⁻⁴	0.267	0.65
ABPSG0.5-150	1.36 x 10 ⁻⁴	0.284	0.68	ABPSG0.5-150S	1.38 x 10 ⁻⁴	0.290	0.68
ABPSG0.5-160	1.69 x 10 ⁻⁴	0.308	0.71	ABPSG0.5-160S	1.72 x 10 ⁻⁴	0.314	0.71
ABPSG0.5-170	2.09 x 10 ⁻⁴	0.334	0.74	ABPSG0.5-170S	2.13 x 10 ⁻⁴	0.340	0.74
ABPSG0.5-180	2.69 x 10 ⁻⁴	0.385	0.80	ABPSG0.5-180S	2.74 x 10 ⁻⁴	0.392	0.80
ABPSG0.5-190	3.26 x 10 ⁻⁴	0.414	0.82	ABPSG0.5-190S	3.32 x 10 ⁻⁴	0.421	0.82
ABPSG0.5-200	3.93 x 10 ⁻⁴	0.444	0.85	ABPSG0.5-200S	4.01 x 10 ⁻⁴	0.452	0.85
ABPSG0.5-210	4.72 x 10 ⁻⁴	0.475	0.88	ABPSG0.5-210S	4.81 x 10 ⁻⁴	0.484	0.88
ABPSG0.5-220	6.38 x 10 ⁻⁴	0.609	1.00	ABPSG0.5-220S	6.50 x 10 ⁻⁴	0.621	1.00
ABPSG0.5-230	7.42 x 10 ⁻⁴	0.644	1.02	ABPSG0.5-230S	7.56 x 10 ⁻⁴	0.656	1.02
ABPSG0.5-240	8.61 x 10 ⁻⁴	0.680	1.05	ABPSG0.5-240S	8.77 x 10 ⁻⁴	0.693	1.05
ABPSG0.5-250	9.96 x 10 ⁻⁴	0.718	1.08	ABPSG0.5-250S	1.01 x 10 ⁻³	0.731	1.08

ABPSG
ABPSG-S
1.0m_n

PRECISION GEARS

1.0 Module Anti-Backlash Spur Gear α 20° PA

Quality Grade 7e25 DIN 3961/3967 (AGMA Q10)



DIN 58405 Tooth Thickness tol.

Part Number		No. of Teeth	Ref. Dia.	Tip Dia.	Bore H7	Max. Bore H7	Hub Dia.
817M40T	303 Stainless	<i>z</i>	<i>d</i>	<i>d_a</i>	<i>d_j</i>	<i>d_j</i>	<i>BD</i>
ABPSG1.0-38	ABPSG1.0-38S	38	38	40	8	10	20
ABPSG1.0-40	ABPSG1.0-40S	40	40	42	8	10	20
ABPSG1.0-42	ABPSG1.0-42S	42	42	44	8	10	20
ABPSG1.0-45	ABPSG1.0-45S	45	45	47	8	10	20
ABPSG1.0-48	ABPSG1.0-48S	48	48	50	8	10	20
ABPSG1.0-50	ABPSG1.0-50S	50	50	52	8	10	20
ABPSG1.0-52	ABPSG1.0-52S	52	52	54	8	10	20
ABPSG1.0-55	ABPSG1.0-55S	55	55	57	8	10	20
ABPSG1.0-58	ABPSG1.0-58S	58	58	60	10	20	35
ABPSG1.0-60	ABPSG1.0-60S	60	60	62	10	20	35
ABPSG1.0-62	ABPSG1.0-62S	62	62	64	10	20	35
ABPSG1.0-65	ABPSG1.0-65S	65	65	67	10	20	35
ABPSG1.0-68	ABPSG1.0-68S	68	68	70	10	20	35
ABPSG1.0-70	ABPSG1.0-70S	70	70	72	10	20	35
ABPSG1.0-72	ABPSG1.0-72S	72	72	74	10	20	35
ABPSG1.0-75	ABPSG1.0-75S	75	75	77	10	20	35
ABPSG1.0-78	ABPSG1.0-78S	78	78	80	12	25	45
ABPSG1.0-80	ABPSG1.0-80S	80	80	82	12	25	45
ABPSG1.0-82	ABPSG1.0-82S	82	82	84	12	25	45
ABPSG1.0-85	ABPSG1.0-85S	85	85	87	12	25	45
ABPSG1.0-90	ABPSG1.0-90S	90	90	92	12	25	45
ABPSG1.0-95	ABPSG1.0-95S	95	95	97	12	25	45
ABPSG1.0-100	ABPSG1.0-100S	100	100	102	14	40	65
ABPSG1.0-105	ABPSG1.0-105S	105	105	107	14	40	65
ABPSG1.0-110	ABPSG1.0-110S	110	110	112	14	40	65
ABPSG1.0-115	ABPSG1.0-115S	115	115	117	14	40	65
ABPSG1.0-120	ABPSG1.0-120S	120	120	122	14	40	65

ABPSG ABPSG-S 1.0m_n

PRECISION GEARS

1.0 Module Anti-Backlash Spur Gear α 20° PA

Quality Grade 7e25 DIN 3961/3967 (AGMA Q10)

Standard Part **ABPSG 1.0-50**

Modified Part **ABPSG 1.0-50 S 10 K T**

ABPSG - Precision Anti-Backlash Spur Gear
Quality Grade 7e DIN 3961/3967
Other Quality Grades available.
See Technical

m_n Module - Cut with DIN 867 1.25/0.20/1.0
Ref. Tooth Profile Topping WD = 2.25 x m_n

Number of Teeth **z**

Standard Material = 817M40T
S = 303 Stainless Steel

T = 1 x Tapped hole **2T** = 2 x Tapped holes
P = 1 x Pin Hole **PT** = 1 x Pin Hole through
All threads metric as standard.
See Technical

K- Keyway supplied to
DIN 6885 - Js9 tolerance.
See Technical

To specify different bore enter size required
Example: 10 = 10mm H7 etc
See Technical

η_z Meshing Efficiency approx. 98%

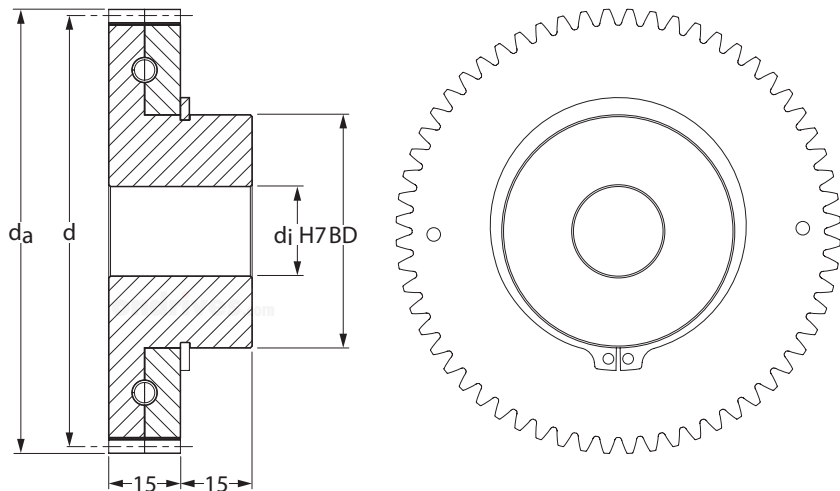
Part Number 817M40T	Inertia kgm ²	Mass kg	Torque T ₂ Nm n ₂ 100 Rpm	Part Number 303 Stainless	Inertia kgm ²	Mass kg	Torque T ₂ Nm n ₂ 100 Rpm
ABPSG1.0-38	1.25 x 10 ⁻⁵	0.109	0.35	ABPSG1.0-38S	1.28 x 10 ⁻⁵	0.111	0.35
ABPSG1.0-40	1.54 x 10 ⁻⁵	0.119	0.37	ABPSG1.0-40S	1.57 x 10 ⁻⁵	0.121	0.37
ABPSG1.0-42	1.88 x 10 ⁻⁵	0.129	0.38	ABPSG1.0-42S	1.92 x 10 ⁻⁵	0.131	0.38
ABPSG1.0-45	2.51 x 10 ⁻⁵	0.145	0.40	ABPSG1.0-45S	2.55 x 10 ⁻⁵	0.147	0.40
ABPSG1.0-48	3.28 x 10 ⁻⁵	0.162	0.42	ABPSG1.0-48S	3.34 x 10 ⁻⁵	0.165	0.42
ABPSG1.0-50	3.89 x 10 ⁻⁵	0.174	0.43	ABPSG1.0-50S	3.96 x 10 ⁻⁵	0.177	0.43
ABPSG1.0-52	4.58 x 10 ⁻⁵	0.186	0.44	ABPSG1.0-52S	4.66 x 10 ⁻⁵	0.190	0.44
ABPSG1.0-55	5.78 x 10 ⁻⁵	0.206	0.46	ABPSG1.0-55S	5.89 x 10 ⁻⁵	0.210	0.46
ABPSG1.0-58	8.12 x 10 ⁻⁵	0.283	0.47	ABPSG1.0-58S	8.27 x 10 ⁻⁵	0.288	0.47
ABPSG1.0-60	9.20 x 10 ⁻⁵	0.297	0.48	ABPSG1.0-60S	9.38 x 10 ⁻⁵	0.303	0.48
ABPSG1.0-62	1.04 x 10 ⁻⁴	0.312	0.49	ABPSG1.0-62S	1.06 x 10 ⁻⁴	0.318	0.49
ABPSG1.0-65	1.25 x 10 ⁻⁴	0.336	0.51	ABPSG1.0-65S	1.27 x 10 ⁻⁴	0.342	0.51
ABPSG1.0-68	1.48 x 10 ⁻⁴	0.360	0.52	ABPSG1.0-68S	1.51 x 10 ⁻⁴	0.367	0.52
ABPSG1.0-70	1.66 x 10 ⁻⁴	0.377	0.53	ABPSG1.0-70S	1.69 x 10 ⁻⁴	0.385	0.53
ABPSG1.0-72	1.86 x 10 ⁻⁴	0.395	0.54	ABPSG1.0-72S	1.89 x 10 ⁻⁴	0.402	0.54
ABPSG1.0-75	2.18 x 10 ⁻⁴	0.422	0.56	ABPSG1.0-75S	2.23 x 10 ⁻⁴	0.430	0.56
ABPSG1.0-78	2.73 x 10 ⁻⁴	0.503	0.63	ABPSG1.0-78S	2.78 x 10 ⁻⁴	0.513	0.63
ABPSG1.0-80	3.00 x 10 ⁻⁴	0.523	0.64	ABPSG1.0-80S	3.05 x 10 ⁻⁴	0.533	0.64
ABPSG1.0-82	3.29 x 10 ⁻⁴	0.543	0.65	ABPSG1.0-82S	3.35 x 10 ⁻⁴	0.553	0.65
ABPSG1.0-85	3.77 x 10 ⁻⁴	0.573	0.66	ABPSG1.0-85S	3.84 x 10 ⁻⁴	0.584	0.66
ABPSG1.0-90	4.70 x 10 ⁻⁴	0.627	0.69	ABPSG1.0-90S	4.79 x 10 ⁻⁴	0.639	0.69
ABPSG1.0-95	5.81 x 10 ⁻⁴	0.684	0.72	ABPSG1.0-95S	5.92 x 10 ⁻⁴	0.697	0.72
ABPSG1.0-100	8.21 x 10 ⁻⁴	0.900	0.85	ABPSG1.0-100S	8.37 x 10 ⁻⁴	0.917	0.85
ABPSG1.0-105	9.73 x 10 ⁻⁴	0.963	0.87	ABPSG1.0-105S	9.91 x 10 ⁻⁴	0.981	0.87
ABPSG1.0-110	1.15 x 10 ⁻³	1.029	0.90	ABPSG1.0-110S	1.17 x 10 ⁻³	1.049	0.90
ABPSG1.0-115	1.35 x 10 ⁻³	1.098	0.93	ABPSG1.0-115S	1.38 x 10 ⁻³	1.119	0.93
ABPSG1.0-120	1.58 x 10 ⁻³	1.170	0.95	ABPSG1.0-120S	1.61 x 10 ⁻³	1.193	0.95

ABPSG
ABPSG-S
1.5m_n

PRECISION GEARS

1.5 Module Anti-Backlash Spur Gear α 20° PA

Quality Grade 7e25 DIN 3961/3967 (AGMA Q10)



DIN 58405 Tooth Thickness tol.

Part Number		No. of Teeth	Ref. Dia.	Tip Dia.	Bore H7	Max. Bore H7	Hub Dia.
817M40T	303 Stainless	<i>z</i>	<i>d</i>	<i>d_a</i>	<i>d_j</i>	<i>d_j</i>	<i>BD</i>
ABPSG1.5-28	ABPSG1.5-28S	28	42.0	45.0	8	12	22
ABPSG1.5-29	ABPSG1.5-29S	29	43.5	46.5	8	12	22
ABPSG1.5-30	ABPSG1.5-30S	30	45.0	48.0	8	12	22
ABPSG1.5-32	ABPSG1.5-32S	32	48.0	51.0	8	12	22
ABPSG1.5-35	ABPSG1.5-35S	35	52.5	55.5	8	12	22
ABPSG1.5-38	ABPSG1.5-38S	38	57.0	60.0	8	12	22
ABPSG1.5-40	ABPSG1.5-40S	40	60.0	63.0	8	12	22
ABPSG1.5-42	ABPSG1.5-42S	42	63.0	66.0	10	20	35
ABPSG1.5-45	ABPSG1.5-45S	45	67.5	70.5	10	20	35
ABPSG1.5-48	ABPSG1.5-48S	48	72.0	75.0	10	20	35
ABPSG1.5-50	ABPSG1.5-50S	50	75.0	78.0	10	20	35
ABPSG1.5-52	ABPSG1.5-52S	52	78.0	81.0	10	20	35
ABPSG1.5-55	ABPSG1.5-55S	55	82.5	85.5	12	25	45
ABPSG1.5-58	ABPSG1.5-58S	58	87.0	90.0	12	25	45
ABPSG1.5-60	ABPSG1.5-60S	60	90.0	93.0	12	25	45
ABPSG1.5-62	ABPSG1.5-62S	62	93.0	96.0	12	25	45
ABPSG1.5-65	ABPSG1.5-65S	65	97.5	100.5	12	25	45
ABPSG1.5-68	ABPSG1.5-68S	68	102.0	105.0	14	40	65
ABPSG1.5-70	ABPSG1.5-70S	70	105.0	108.0	14	40	65
ABPSG1.5-72	ABPSG1.5-72S	72	108.0	111.0	14	40	65
ABPSG1.5-75	ABPSG1.5-75S	75	112.5	115.5	14	40	65
ABPSG1.5-78	ABPSG1.5-78S	78	117.0	120.0	14	40	65
ABPSG1.5-80	ABPSG1.5-80S	80	120.0	123.0	14	40	65
ABPSG1.5-82	ABPSG1.5-82S	82	123.0	126.0	14	40	65

ABPSG ABPSG-S 1.5m_n

PRECISION GEARS

1.5 Module Anti-Backlash Spur Gear α 20° PA

Quality Grade 7e25 DIN 3961/3967 (AGMA Q10)

Standard Part **ABPSG 1.5 50**

Modified Part **ABPSG 1.5 50 S 10 K T**

ABPSG - Precision Anti-Backlash Spur Gear
Quality Grade 7e DIN 3961/3967
Other Quality Grades available.
See Technical

m_n Module - Cut with DIN 867 1.25/0.20/1.0
Ref. Tooth Profile Topping WD = 2.25 x m_n

Number of Teeth **z**

Standard Material = 817M40T
S = 303 Stainless Steel

T = 1 x Tapped hole **2T** = 2 x Tapped holes
P = 1 x Pin Hole **PT** = 1 x Pin Hole through
All threads metric as standard.
See Technical

K- Keyway supplied to
DIN 6885 - Js9 tolerance.
See Technical

To specify different bore enter size required
Example: 10 = 10mm H7 etc
See Technical

η_z Meshing Efficiency approx. 98%

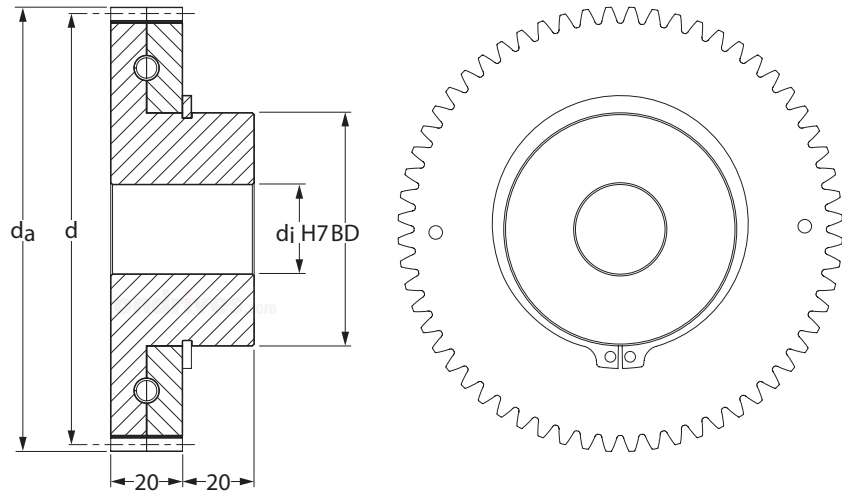
Part Number 817M40T	Inertia kgm ²	Mass kg	Torque T ₂ Nm n ₂ 100 Rpm	Part Number 303 Stainless	Inertia kgm ²	Mass kg	Torque T ₂ Nm n ₂ 100 Rpm
ABPSG1.5-28	2.65 x 10 ⁻⁵	0.194	0.68	ABPSG1.5-28S	2.70 x 10 ⁻⁵	0.198	0.68
ABPSG1.5-29	3.06 x 10 ⁻⁵	0.206	0.69	ABPSG1.5-29S	3.12 x 10 ⁻⁵	0.210	0.69
ABPSG1.5-30	3.51 x 10 ⁻⁵	0.218	0.71	ABPSG1.5-30S	3.58 x 10 ⁻⁵	0.222	0.71
ABPSG1.5-32	4.59 x 10 ⁻⁵	0.244	0.74	ABPSG1.5-32S	4.68 x 10 ⁻⁵	0.248	0.74
ABPSG1.5-35	6.67 x 10 ⁻⁵	0.285	0.80	ABPSG1.5-35S	6.80 x 10 ⁻⁵	0.291	0.80
ABPSG1.5-38	9.42 x 10 ⁻⁵	0.331	0.85	ABPSG1.5-38S	9.60 x 10 ⁻⁵	0.337	0.85
ABPSG1.5-40	1.17 x 10 ⁻⁴	0.363	0.88	ABPSG1.5-40S	1.19 x 10 ⁻⁴	0.370	0.88
ABPSG1.5-42	1.53 x 10 ⁻⁴	0.459	1.07	ABPSG1.5-42S	1.56 x 10 ⁻⁴	0.467	1.07
ABPSG1.5-45	2.01 x 10 ⁻⁴	0.513	1.12	ABPSG1.5-45S	2.05 x 10 ⁻⁴	0.522	1.12
ABPSG1.5-48	2.60 x 10 ⁻⁴	0.570	1.17	ABPSG1.5-48S	2.65 x 10 ⁻⁴	0.581	1.17
ABPSG1.5-50	3.07 x 10 ⁻⁴	0.611	1.20	ABPSG1.5-50S	3.13 x 10 ⁻⁴	0.623	1.20
ABPSG1.5-52	3.60 x 10 ⁻⁴	0.653	1.23	ABPSG1.5-52S	3.67 x 10 ⁻⁴	0.666	1.23
ABPSG1.5-55	4.72 x 10 ⁻⁴	0.785	1.47	ABPSG1.5-55S	4.81 x 10 ⁻⁴	0.800	1.47
ABPSG1.5-58	5.81 x 10 ⁻⁴	0.856	1.52	ABPSG1.5-58S	5.92 x 10 ⁻⁴	0.872	1.52
ABPSG1.5-60	6.65 x 10 ⁻⁴	0.905	1.55	ABPSG1.5-60S	6.77 x 10 ⁻⁴	0.922	1.55
ABPSG1.5-62	7.57 x 10 ⁻⁴	0.955	1.59	ABPSG1.5-62S	7.72 x 10 ⁻⁴	0.973	1.59
ABPSG1.5-65	9.15 x 10 ⁻⁴	1.034	1.64	ABPSG1.5-65S	9.32 x 10 ⁻⁴	1.054	1.64
ABPSG1.5-68	1.23 x 10 ⁻³	1.311	1.93	ABPSG1.5-68S	1.26 x 10 ⁻³	1.336	1.93
ABPSG1.5-70	1.37 x 10 ⁻³	1.368	1.97	ABPSG1.5-70S	1.39 x 10 ⁻³	1.394	1.97
ABPSG1.5-72	1.52 x 10 ⁻³	1.427	2.00	ABPSG1.5-72S	1.55 x 10 ⁻³	1.454	2.00
ABPSG1.5-75	1.76 x 10 ⁻³	1.518	2.06	ABPSG1.5-75S	1.80 x 10 ⁻³	1.547	2.06
ABPSG1.5-78	2.05 x 10 ⁻³	1.613	2.11	ABPSG1.5-78S	2.08 x 10 ⁻³	1.644	2.11
ABPSG1.5-80	2.25 x 10 ⁻³	1.679	2.15	ABPSG1.5-80S	2.30 x 10 ⁻³	1.711	2.15
ABPSG1.5-82	2.48 x 10 ⁻³	1.746	2.18	ABPSG1.5-82S	2.52 x 10 ⁻³	1.780	2.18

ABPSG
ABPSG-S
2.0m_n

PRECISION GEARS

2.0 Module Anti-Backlash Spur Gear α 20° PA

Quality Grade 7e25 DIN 3961/3967 (AGMA Q10)



DIN 58405 Tooth Thickness tol.

Part Number		No. of Teeth	Ref. Dia.	Tip Dia.	Bore H7	Max. Bore H7	Hub Dia.
817M40T	303 Stainless	<i>z</i>	<i>d</i>	<i>d_a</i>	<i>d_j</i>	<i>d_j</i>	<i>BD</i>
ABPSG2.0-38	ABPSG2.0-38S	38	76	80	12	22	45
ABPSG2.0-40	ABPSG2.0-40S	40	80	84	12	22	55
ABPSG2.0-42	ABPSG2.0-42S	42	84	88	12	22	55
ABPSG2.0-45	ABPSG2.0-45S	45	90	94	12	22	55
ABPSG2.0-48	ABPSG2.0-48S	48	96	100	12	22	55
ABPSG2.0-50	ABPSG2.0-50S	50	100	104	16	40	65
ABPSG2.0-52	ABPSG2.0-52S	52	104	108	16	40	65
ABPSG2.0-55	ABPSG2.0-55S	55	110	114	16	40	65
ABPSG2.0-58	ABPSG2.0-58S	58	116	120	16	40	65
ABPSG2.0-60	ABPSG2.0-60S	60	120	124	16	40	65
ABPSG2.0-62	ABPSG2.0-62S	62	124	128	16	40	65

ABPSG ABPSG-S 2.0m_n

PRECISION GEARS

2.0 Module Anti-Backlash Spur Gear α 20° PA

Quality Grade 7e25 DIN 3961/3967 (AGMA Q10)

Standard Part **ABPSG 2.0-50**

Modified Part **ABPSG 2.0-50 S 20 K T**

ABPSG - Precision Anti-Backlash Spur Gear
Quality Grade 7e DIN 3961/3967
Other Quality Grades available.
See Technical

m_n Module - Cut with DIN 867 1.25/0.20/1.0
Ref. Tooth Profile Topping WD = 2.25 x m_n

Number of Teeth **z**

Standard Material = 817M40T
S = 303 Stainless Steel

T = 1 x Tapped hole **2T** = 2 x Tapped holes
P = 1 x Pin Hole **PT** = 1 x Pin Hole through
All threads metric as standard.
See Technical

K- Keyway supplied to
DIN 6885 - Js9 tolerance.
See Technical

To specify different bore enter size required
Example: 20 = 20mm H7 etc
See Technical

η_z Meshing Efficiency approx. 98%

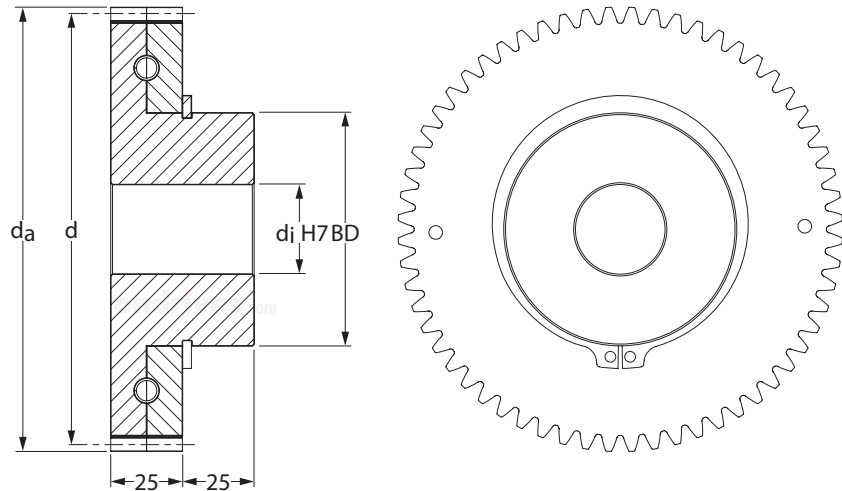
Part Number 817M40T	Inertia kgm ²	Mass kg	Torque T ₂ Nm n ₂ 100 Rpm	Part Number 303 Stainless	Inertia kgm ²	Mass kg	Torque T ₂ Nm n ₂ 100 Rpm
ABPSG2.0-38	4.38 x 10 ⁻⁴	0.920	2.74	ABPSG2.0-38S	4.47 x 10 ⁻⁴	0.937	2.74
ABPSG2.0-40	6.07 x 10 ⁻⁴	1.119	2.84	ABPSG2.0-40S	6.18 x 10 ⁻⁴	1.141	2.84
ABPSG2.0-42	7.18 x 10 ⁻⁴	1.200	2.94	ABPSG2.0-42S	7.32 x 10 ⁻⁴	1.223	2.94
ABPSG2.0-45	9.21 x 10 ⁻⁴	1.328	3.09	ABPSG2.0-45S	9.38 x 10 ⁻⁴	1.353	3.09
ABPSG2.0-48	1.17 x 10 ⁻³	1.465	3.24	ABPSG2.0-48S	1.19 x 10 ⁻³	1.493	3.24
ABPSG2.0-50	1.45 x 10 ⁻³	1.681	3.96	ABPSG2.0-50S	1.48 x 10 ⁻³	1.713	3.96
ABPSG2.0-52	1.67 x 10 ⁻³	1.781	4.06	ABPSG2.0-52S	1.71 x 10 ⁻³	1.815	4.06
ABPSG2.0-55	2.06 x 10 ⁻³	1.939	4.20	ABPSG2.0-55S	2.10 x 10 ⁻³	1.976	4.20
ABPSG2.0-58	2.52 x 10 ⁻³	2.105	4.35	ABPSG2.0-58S	2.57 x 10 ⁻³	2.146	4.35
ABPSG2.0-60	2.87 x 10 ⁻³	2.221	4.45	ABPSG2.0-60S	2.93 x 10 ⁻³	2.264	4.45
ABPSG2.0-62	3.26 x 10 ⁻³	2.341	4.55	ABPSG2.0-62S1	3.32 x 10 ⁻³	2.386	4.55

ABPSG
ABPSG-S
2.5m_n

PRECISION GEARS

2.5 Module Anti-Backlash Spur Gear α 20° PA

Quality Grade 7e25 DIN 3961/3967 (AGMA Q10)



DIN 58405 Tooth Thickness tol.

Part Number		No. of Teeth	Ref. Dia.	Tip Dia.	Bore H7	Max. Bore H7	Hub Dia.
817M40T	303 Stainless	<i>z</i>	<i>d</i>	<i>d_a</i>	<i>d_j</i>	<i>d_j</i>	<i>BD</i>
ABPSG2.5-30	ABPSG2.5-30S	30	75.0	80.0	12	20	35
ABPSG2.5-32	ABPSG2.5-32S	32	80.0	85.0	14	25	45
ABPSG2.5-35	ABPSG2.5-35S	35	87.5	92.5	14	25	45
ABPSG2.5-38	ABPSG2.5-38S	38	95.0	100.0	14	25	45
ABPSG2.5-40	ABPSG2.5-40S	40	100.0	105.0	14	25	45
ABPSG2.5-42	ABPSG2.5-42S	42	105.0	110.0	16	40	65
ABPSG2.5-45	ABPSG2.5-45S	45	112.5	117.5	16	40	65
ABPSG2.5-48	ABPSG2.5-48S	48	120.0	125.0	16	40	65
ABPSG2.5-50	ABPSG2.5-50S	50	125.0	130.0	16	40	65

ABPSG ABPSG-S 2.5m_n

PRECISION GEARS

2.5 Module Anti-Backlash Spur Gear α 20° PA

Quality Grade 7e25 DIN 3961/3967 (AGMA Q10)

Standard Part **ABPSG 2.5 50**

Modified Part **ABPSG 2.5 50 S 20 K T**

ABPSG - Precision Anti-Backlash Spur Gear
Quality Grade 7e DIN 3961/3967
Other Quality Grades available.
See Technical

m_n Module - Cut with DIN 867 1.25/0.20/1.0
Ref. Tooth Profile Topping WD = 2.25 x m_n

Number of Teeth **z**

Standard Material = 817M40T
S = 303 Stainless Steel

T = 1 x Tapped hole **2T** = 2 x Tapped holes
P = 1 x Pin Hole **PT** = 1 x Pin Hole through
All threads metric as standard.
See Technical

K- Keyway supplied to
DIN 6885 - Js9 tolerance.
See Technical

To specify different bore enter size required
Example: 20 = 20mm H7 etc
See Technical

η_z Meshing Efficiency approx. 98%

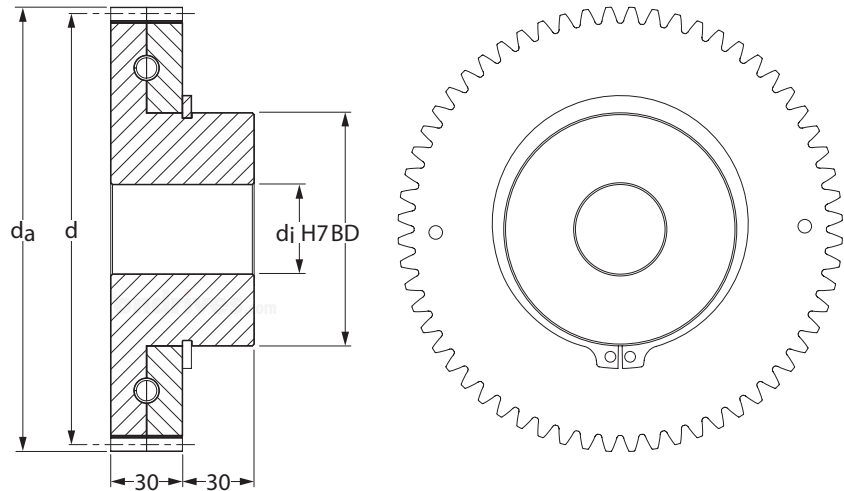
Part Number 817M40T	Inertia kgm ²	Mass kg	Torque T ₂ Nm n ₂ 100 Rpm	Part Number 303 Stainless	Inertia kgm ²	Mass kg	Torque T ₂ Nm n ₂ 100 Rpm
ABPSG2.5-30	4.54 x 10 ⁻⁴	1.002	2.73	ABPSG2.5-30S	4.63 x 10 ⁻⁴	1.021	2.73
ABPSG2.5-32	6.25 x 10 ⁻⁴	1.228	3.13	ABPSG2.5-32S	6.37 x 10 ⁻⁴	1.251	3.13
ABPSG2.5-35	8.92 x 10 ⁻⁴	1.420	3.33	ABPSG2.5-35S	9.09 x 10 ⁻⁴	1.447	3.33
ABPSG2.5-38	1.24 x 10 ⁻³	1.629	3.52	ABPSG2.5-38S	1.27 x 10 ⁻³	1.661	3.52
ABPSG2.5-40	1.54 x 10 ⁻³	1.779	3.66	ABPSG2.5-40S	1.56 x 10 ⁻³	1.813	3.66
ABPSG2.5-42	2.09 x 10 ⁻³	2.256	4.31	ABPSG2.5-42S	2.13 x 10 ⁻³	2.299	4.31
ABPSG2.5-45	2.71 x 10 ⁻³	2.506	4.51	ABPSG2.5-45S	2.76 x 10 ⁻³	2.554	4.51
ABPSG2.5-48	3.47 x 10 ⁻³	2.774	4.71	ABPSG2.5-48S	3.54 x 10 ⁻³	2.827	4.71
ABPSG2.5-50	4.07 x 10 ⁻³	2.962	4.84	ABPSG2.5-50S	4.15 x 10 ⁻³	3.018	4.84

ABPSG
ABPSG-S
3.0m_n

PRECISION GEARS

3.0 Module Anti-Backlash Spur Gear α 20° PA

Quality Grade 7e25 DIN 3961/3967 (AGMA Q10)



DIN 58405 Tooth Thickness tol.

Part Number		No. of Teeth	Ref. Dia.	Tip Dia.	Bore H7	Max. Bore H7	Hub Dia.
817M40T	303 Stainless	<i>z</i>	<i>d</i>	<i>d_a</i>	<i>d_i</i>	<i>d_i</i>	<i>BD</i>
ABPSG3.0-25	ABPSG3.0-25S	25	75	81	12	16	35
ABPSG3.0-26	ABPSG3.0-26S	26	78	84	12	16	35
ABPSG3.0-27	ABPSG3.0-27S	27	81	87	12	16	35
ABPSG3.0-28	ABPSG3.0-28S	28	84	90	12	16	35
ABPSG3.0-29	ABPSG3.0-29S	29	87	93	12	16	35
ABPSG3.0-30	ABPSG3.0-30S	30	90	96	14	30	50
ABPSG3.0-32	ABPSG3.0-32S	32	96	102	14	30	50
ABPSG3.0-35	ABPSG3.0-35S	35	105	111	14	30	50
ABPSG3.0-38	ABPSG3.0-38S	38	114	120	14	30	50
ABPSG3.0-40	ABPSG3.0-40S	40	120	126	16	40	65

ABPSG ABPSG-S 3.0m_n

PRECISION GEARS

3.0 Module Anti-Backlash Spur Gear α 20° PA

Quality Grade 7e25 DIN 3961/3967 (AGMA Q10)

Standard Part **ABPSG 3.0-40**

Modified Part **ABPSG 3.0-40 S 20 K T**

ABPSG - Precision Anti-Backlash Spur Gear
Quality Grade 7e DIN 3961/3967
Other Quality Grades available.
See Technical

m_n Module - Cut with DIN 867 1.25/0.20/1.0
Ref. Tooth Profile Topping WD = 2.25 x m_n

Number of Teeth **z**

Standard Material = 817M40T
S = 303 Stainless Steel

T = 1 x Tapped hole **2T** = 2 x Tapped holes
P = 1 x Pin Hole **PT** = 1 x Pin Hole through
All threads metric as standard.
See Technical

K- Keyway supplied to
DIN 6885 - Js9 tolerance.
See Technical

To specify different bore enter size required
Example: 20 = 20mm H7 etc
See Technical

η_z Meshing Efficiency approx. 98%

Part Number 817M40T	Inertia kgm ²	Mass kg	Torque T ₂ Nm n ₂ 100 Rpm	Part Number 303 Stainless	Inertia kgm ²	Mass kg	Torque T ₂ Nm n ₂ 100 Rpm
ABPSG3.0-25	5.24 x 10 ⁻⁴	1.201	4.19	ABPSG3.0-25S	5.34 x 10 ⁻⁴	1.224	4.19
ABPSG3.0-26	6.16 x 10 ⁻⁴	1.286	4.31	ABPSG3.0-26S	6.28 x 10 ⁻⁴	1.310	4.31
ABPSG3.0-27	7.21 x 10 ⁻⁴	1.373	4.43	ABPSG3.0-27S	7.34 x 10 ⁻⁴	1.399	4.43
ABPSG3.0-28	8.39 x 10 ⁻⁴	1.464	4.55	ABPSG3.0-28S	8.55 x 10 ⁻⁴	1.492	4.55
ABPSG3.0-29	9.72 x 10 ⁻⁴	1.558	4.68	ABPSG3.0-29S	9.90 x 10 ⁻⁴	1.587	4.68
ABPSG3.0-30	1.20 x 10 ⁻³	1.872	5.41	ABPSG3.0-30S	1.22 x 10 ⁻³	1.907	5.41
ABPSG3.0-32	1.55 x 10 ⁻³	2.076	5.66	ABPSG3.0-32S	1.58 x 10 ⁻³	2.116	5.66
ABPSG3.0-35	2.22 x 10 ⁻³	2.408	6.02	ABPSG3.0-35S	2.26 x 10 ⁻³	2.455	6.02
ABPSG3.0-38	3.10 x 10 ⁻³	2.771	6.39	ABPSG3.0-38S	3.16 x 10 ⁻³	2.823	6.39
ABPSG3.0-40	4.04 x 10 ⁻³	3.325	7.25	ABPSG3.0-40S	4.12 x 10 ⁻³	3.389	7.25