



### Right Angle Helical Reducers

25mm Bores •  $T_{2n}$  8.0Nm – 24.0Nm **1:1 - 40:1**

#### Crossed Helical Rotation Direction.

Using different helix direction changes direction of rotation compared to input compared to the other helix direction.

#### RH-Right Hand

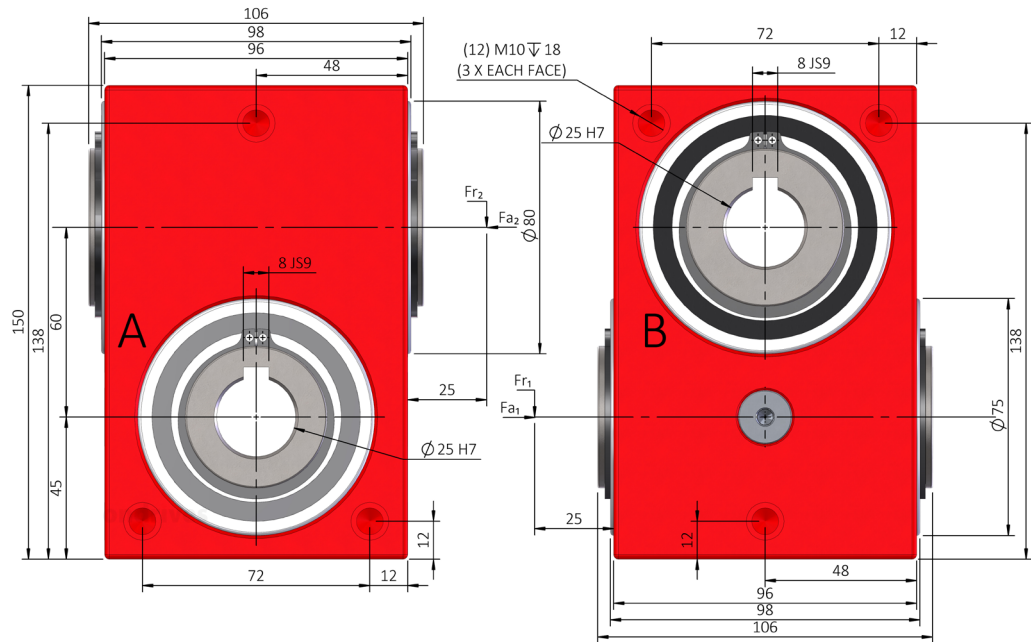
When input rotation is clockwise, output gear is pulled towards input.

When input is counter-clockwise, output gear is pushed away from input.

#### LH-Left Hand

When input rotation is clockwise, output gear is pushed away from input.

When input is counter-clockwise, output is pulled towards input.



Output Backlash j	Part Numbers	Output Backlash j A	Output Backlash j AR	Gear Ratio i	Efficiency $\eta_z$	Helix Direction	Reflected Inertia at Input $\text{kg}\cdot\text{m}^2$	Input Face
$\leq 0.75^\circ$		$\leq 0.50^\circ$	$\leq 0.166^\circ$		n1 nom			
E60-1	E60-1A	E60-1AR	1:1	94%	Right Hand	$1.319 \times 10^{-3}$	B	
E60-2	E60-2A	E60-2AR	2:1	92%	Right Hand	$6.507 \times 10^{-4}$	A	
E60-3	E60-3A	E60-3AR	3:1	91%	Right Hand	$5.111 \times 10^{-4}$	A	
E60-4	E60-4A	E60-4AR	4:1	90%	Right Hand	$5.543 \times 10^{-4}$	A	
E60-5	E60-5A	E60-5AR	5:1	80%	Right Hand	$5.489 \times 10^{-4}$	A	
E60-8	E60-8A	E60-8AR	8:1	80%	Right Hand	$4.951 \times 10^{-4}$	A	
E60-10	E60-10A	E60-10AR	10:1	73%	Right Hand	$4.911 \times 10^{-4}$	A	
E60-20	E60-20A	E60-20AR	20:1	67%	Right Hand	$4.859 \times 10^{-4}$	A	
E60-40	E60-40A	E60-40AR	40:1	60%	Right Hand	$4.846 \times 10^{-4}$	A	

**Weight:** 5.5kg.

**Nom. Input Speed [S5  $T_{2n}$ ] n1 nom:** 1,000  $\text{min}^{-1}$  (r/min)

**Max. Input Speed n1 max:** 1:1 to 5:1 3,000  $\text{min}^{-1}$  (r/min) • 8:1 to 40:1 1,000  $\text{min}^{-1}$  (r/min)

**Lubrication:** Grease Shell Gadus S2 V220AD 2

**Lubrication Temperature:** Max. Operating  $\approx 60^\circ\text{C}$

**Max. Input Radial Load  $F_{r1}$ :** 800N.

**Max. Input Axial Load  $F_{a1}$ :** 500N.

**Max. Output Radial Load  $F_{r2}$ :** 800N.

**Max. Output Axial Load  $F_{a1}$ :** 500N.

Testing in your application is necessary.

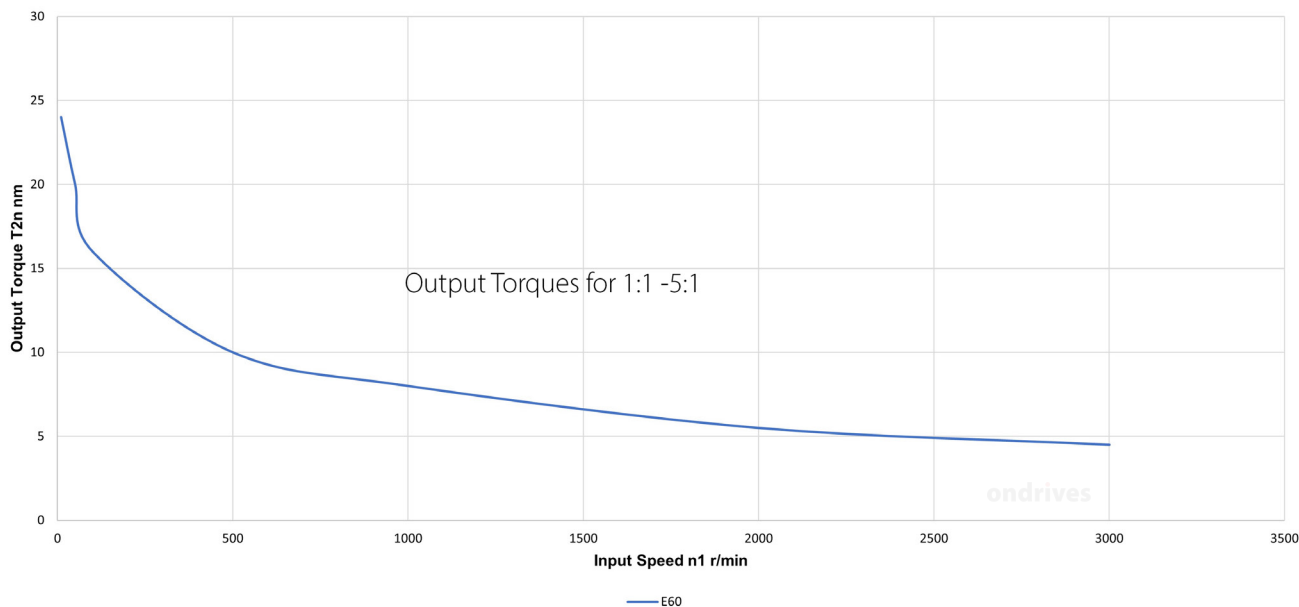
You will need to assess duty cycles and confirm suitability with your own calculations.

Figures listed are for guidance only.

Cooling may be needed dependent on application.

**Right Angle Helical Reducers**  
 25mm Bores •  $T_{2n}$  8.0Nm – 24.0Nm **1:1 - 40:1**

**E Series Crossed Axis Helical Gearbox**



**E Series Crossed Axis Helical Gearboxes**

