

## Worm Gear Reducers

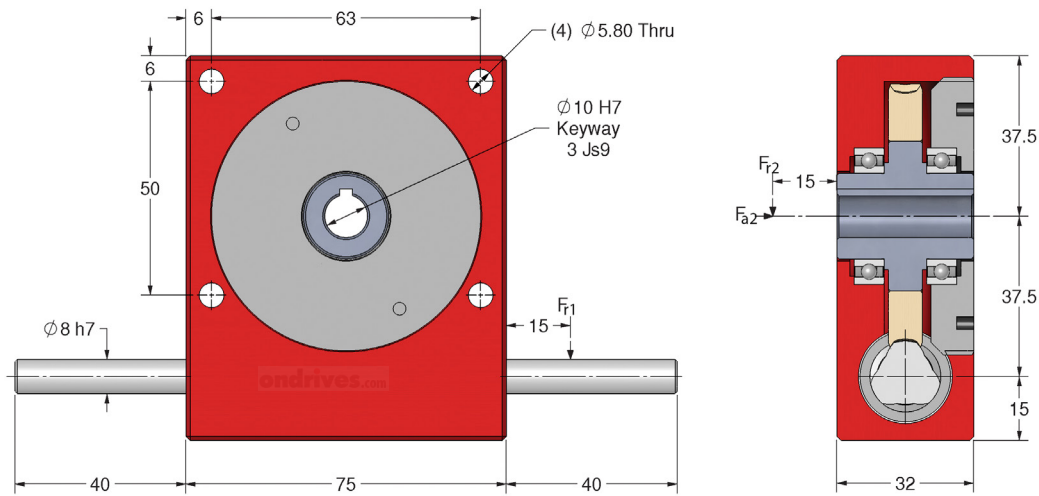
8mm Input Shaft Double Sided • 10mm Output Bore  
37.5mm Centre Distance •  $T_{2max}$  12Nm – 18Nm • **10:1 - 120:1**

### Worm Gear Rotation Direction.

#### RH-Right Hand

When input rotation is clockwise, output gear is pulled towards input.

When input is counter-clockwise, output gear is pushed away from input.



Output Backlash j	Part Numbers	Output Backlash j AR	Gear Ratio i	Efficiency $\eta z$	Lead Direction	Reflected Inertia at Input
$\leq 30'$ ( $\leq 0.50^\circ$ )	Output Backlash j A	$\leq 4'$ ( $\leq 0.066^\circ$ )		n1nom		kg·m <sup>2</sup>
P40-10	P40-10A	P40-10AR	10:1	89%	Right Hand	$2.94 \times 10^{-6}$
P40-12	P40-12A	P40-12AR	12:1	87%	Right Hand	$2.69 \times 10^{-6}$
P40-15	P40-15A	P40-15AR	15:1	85%	Right Hand	$2.49 \times 10^{-6}$
P40-20	P40-20A	P40-20AR	20:1	83%	Right Hand	$2.33 \times 10^{-6}$
P40-30	P40-30A	P40-30AR	30:1	76%	Right Hand	$2.22 \times 10^{-6}$
P40-60	P40-60A	P40-60AR	60:1	65%	Right Hand	$2.15 \times 10^{-6}$
P40-120	P40-120A	P40-120AR	120:1	41%	Right Hand	$2.10 \times 10^{-6}$

**Weight:** 0.92 kg.

**Nom. Input Speed [S1 T<sub>2</sub>n] n1nom:** 1,000 min<sup>-1</sup> (r/min)

**Max. Input Speed n1max:** 3,000 min<sup>-1</sup> (r/min)

**Lubrication:** Grease Shell Gadus S5 V4P 2.5

**Lubrication Temperature:** Max. Operating  $\approx 60^\circ\text{C}$

**Max. Input Radial Load F<sub>r1</sub>:** 50N.

**Max. Output Radial Load F<sub>r2</sub>:** 300N.

**Max. Output Axial Load F<sub>a1</sub>:** 200N.

Testing in your application is necessary.

You will need to assess duty cycles and confirm suitability with your own calculations.

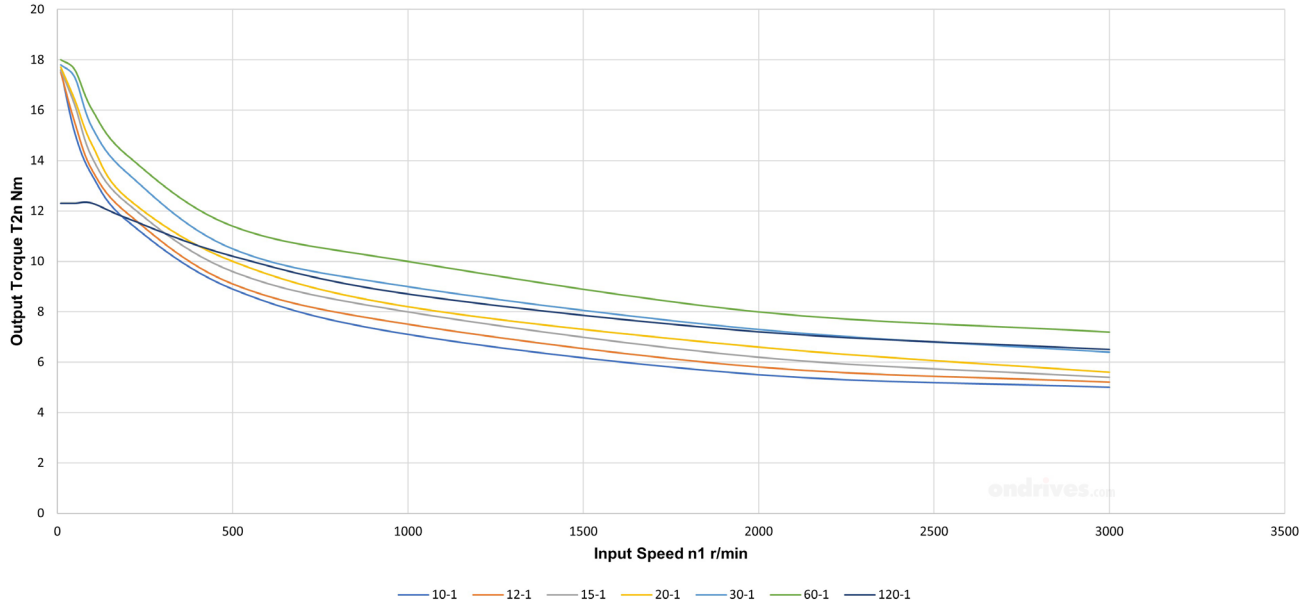
Figures listed are for guidance only.

Cooling may be needed dependent on application.

## Worm Gear Reducers

8mm Input Shaft Double Sided • 10mm Output Bore  
 37.5mm Centre Distance •  $T_{2max}$  12Nm – 18Nm • **10:1 - 120:1**

P Series Wormwheel Gearboxes



Worm Gear Reducers