

Worm Gear Reducers

25mm Input Shaft Single Sided • 75mm Output Bore
85mm Centre Distance • T_{2max} 300Nm **14.666:1 - 44:1**

Worm Gear Rotation Direction.

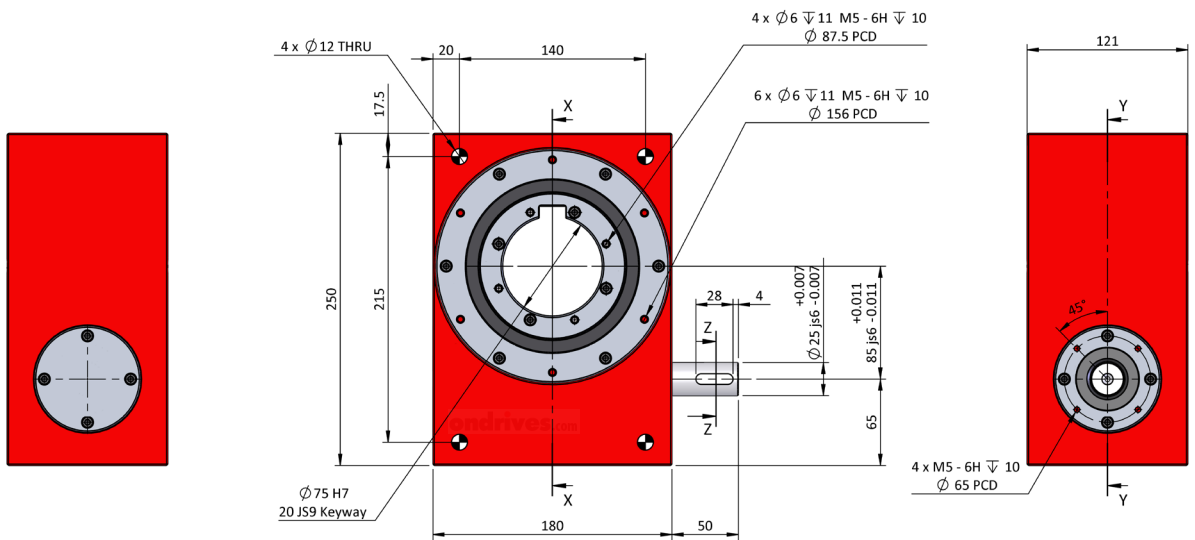
RH-Right Hand

When input rotation is clockwise, output gear is pulled towards input.
When input is counter-clockwise, output gear is pushed away from input.

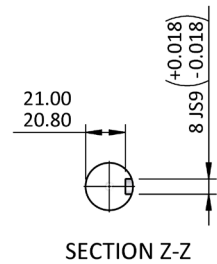
High Load Capacity Bearings.

Input: Taper Roller Bearings.

Output: Large Taper Roller Bearings.



Part Numbers						
Output Backlash j _A	Output Backlash j _{AR}	Gear Ratio i	Efficiency η_z	Lead Direction	Reflected Inertia at Input	Output Torque
≤6' (≤0.10°)	≤4' (≤0.066°)		n1nom		kg·m ²	T _{2n}
P85-14.667A	P85-14.667AR	14.666:1	88%	Right Hand	4.046x10 ⁻³	200Nm
P85-22A	P85-22AR	22:1	85%	Right Hand	4.021x10 ⁻³	200Nm
P85-44A	P85-44AR	44:1	73%	Right Hand	4.005x10 ⁻³	200Nm



Weight: 20.70 kg.

Nom. Input Speed [S5 T_{2n}] n1nom: 1,500 min⁻¹ (r/min)

Max. Input Speed n1max: 2,000 min⁻¹ (r/min)

Lubrication: Grease Klübersynth GE 46-1200

Lubrication Temperature: Max. Operating ≈ 75°C

Max. Input Radial Load F_{r1}: 900N.

Max. Output Radial Load F_{r2}: 2500N.

Max. Output Axial Load F_{a1}: 7000N.

Testing in your application is necessary.

You will need to assess duty cycles and confirm suitability with your own calculations.

Figures listed are for guidance only.

Cooling may be needed dependent on application.