

PF30

ondrives

Precision Gears

Worm Gear Reducers

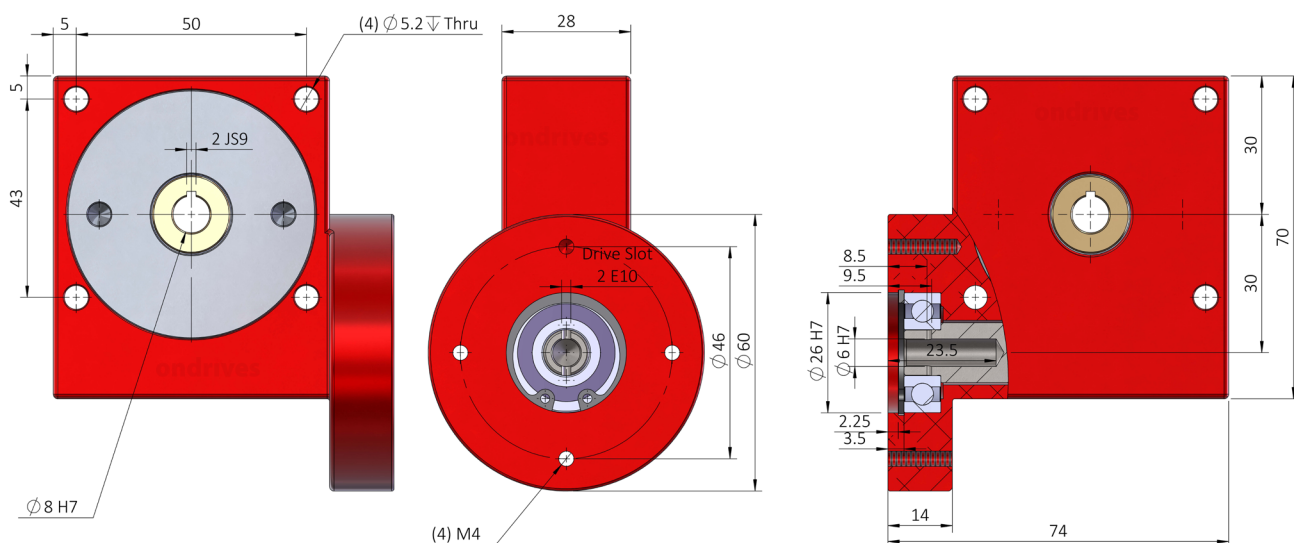
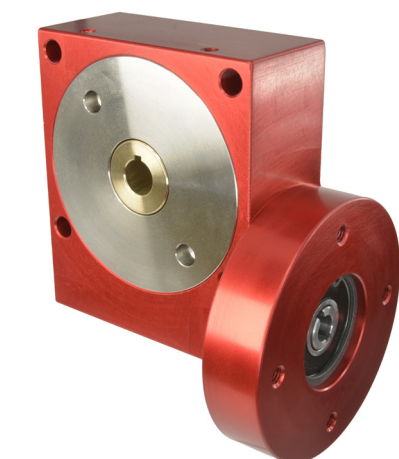
Flange Input • 6mm Input Bore • 8mm Output Bore 30mm
Centre Distance • T_{2max} 7Nm – 9Nm • **10:1 - 120:1**

Worm Gear Rotation Direction.

RH-Right Hand

When input rotation is clockwise, output gear is pulled towards input.

When input is counter-clockwise, output gear is pushed away from input.



	Part Numbers					
Output Backlash j	Output Backlash j A	Output Backlash j AR	Gear Ratio i	Efficiency ηz	Lead Direction	Reflected Inertia at Input $kg \cdot m^2$
$\leq 0.50^\circ$	$\leq 0.13^\circ$	$\leq 0.066^\circ$		n1nom		
PF30-10	PF30-10A	PF30-10AR	10:1	90%	Right Hand	1.00×10^{-6}
PF30-12	PF30-12A	PF30-12AR	12:1	88%	Right Hand	9.25×10^{-7}
PF30-15	PF30-15A	PF30-15AR	15:1	86%	Right Hand	8.62×10^{-7}
PF30-20	PF30-20A	PF30-20AR	20:1	84%	Right Hand	8.13×10^{-7}
PF30-30	PF30-30A	PF30-30AR	30:1	78%	Right Hand	7.88×10^{-7}
PF30-60	PF30-60A	PF30-60AR	60:1	70%	Right Hand	7.67×10^{-7}
PF30-120	PF30-120A	PF30-120AR	120:1	40%	Right Hand	7.42×10^{-7}

Weight: 0.59 kg.

Nom. Input Speed [S1 T₂n] n1nom: 1,000 min⁻¹ (r/min)

Max. Input Speed n1max: 3,000 min⁻¹ (r/min)

Lubrication: Grease Shell Gadus S5 V4P 2.5

Lubrication Temperature: Max. Operating $\approx 60^\circ C$

Max. Output Radial Load F_{r2}: 200N.

Max. Output Axial Load F_{a2}: 120N.

Testing in your application is necessary.

You will need to assess duty cycles and confirm suitability with your own calculations.

Figures listed are for guidance only.

Cooling may be needed dependent on application.

ondrives
Precision Gears

T: +44 1246 455500

sales@ondrives.com www.ondrives.com

Updated March 2024 subject to change for use as a guide only.

Worm Gear Reducers

Worm Gear Reducers

Flange Input • 6mm Input Bore • 8mm Output Bore 30mm
Centre Distance • T_{2max} 7Nm – 9Nm • **10:1 - 120:1**

P Series Wormwheel Gearboxes

