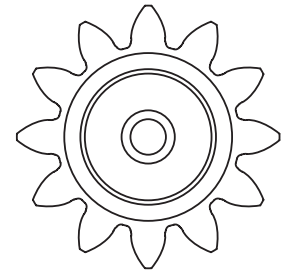
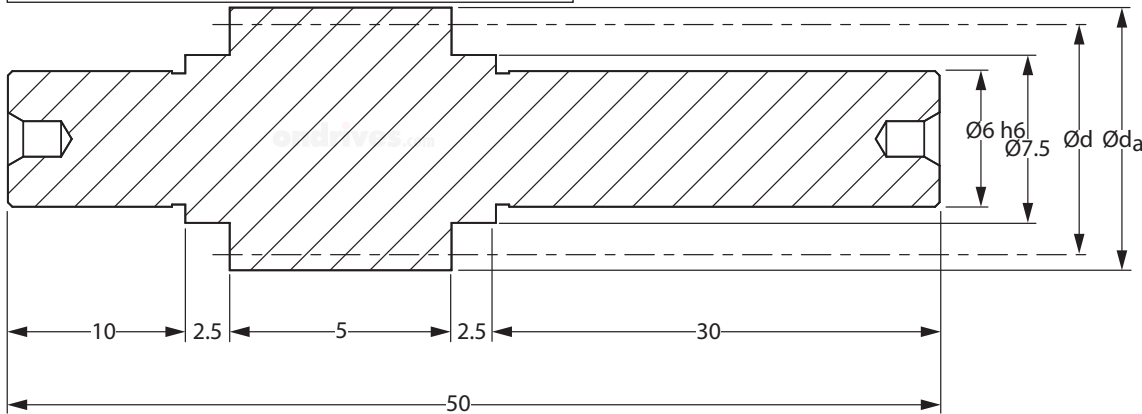


**PPS**  
**PPS-S**  
**0.5m<sub>n</sub>**

# PRECISION GEARS

## 0.5 Module Pinion Shafts α 20° PA

Quality Grade 7e DIN 3961/58405 (AGMA Q10)



DIN 58405 Tooth Thickness tol.

η<sub>z</sub> Mesh Efficiency approx. 98%

Other numbers of teeth available. Please contact Sales for details.

Part Number	No. of Teeth <i>z</i>	Ref. Dia. <i>d</i>	Tip Dia. <i>d<sub>a</sub></i>	Backlash (mm)		Inertia <i>kgm<sup>2</sup></i>	Mass <i>kg</i>	Torque <i>T<sub>2</sub></i> Nm <i>n<sub>2</sub></i> 100 Rpm
				<i>j<sub>t,e</sub></i> (max)	<i>j<sub>t,i</sub></i> (min)			
817M40T								
PPS0.5-18	18	9.0	10.0	0.076 - 0.037		6.75 x 10 <sup>-8</sup>	0.013	0.25
PPS0.5-19	19	9.5	10.5	0.076 - 0.037		7.37 x 10 <sup>-8</sup>	0.013	0.27
PPS0.5-20	20	10.0	11.0	0.076 - 0.037		8.08 x 10 <sup>-8</sup>	0.014	0.36
PPS0.5-21	21	10.5	11.5	0.077 - 0.036		8.91 x 10 <sup>-8</sup>	0.014	0.37
PPS0.5-22	22	11.0	12.0	0.077 - 0.036		9.87 x 10 <sup>-8</sup>	0.014	0.39
PPS0.5-23	23	11.5	12.5	0.077 - 0.036		1.10 x 10 <sup>-7</sup>	0.015	0.41
PPS0.5-24	24	12.0	13.0	0.077 - 0.036		1.22 x 10 <sup>-7</sup>	0.015	0.43
PPS0.5-25	25	12.5	13.5	0.087 - 0.042		1.36 x 10 <sup>-7</sup>	0.015	0.44
PPS0.5-26	26	13.0	14.0	0.087 - 0.042		1.52 x 10 <sup>-7</sup>	0.016	0.54
PPS0.5-27	27	13.5	14.5	0.087 - 0.042		1.70 x 10 <sup>-7</sup>	0.016	0.57
PPS0.5-28	28	14.0	15.0	0.087 - 0.042		1.90 x 10 <sup>-7</sup>	0.017	0.59
PPS0.5-29	29	14.5	15.5	0.087 - 0.042		2.12 x 10 <sup>-7</sup>	0.017	0.61
PPS0.5-30	30	15.0	16.0	0.087 - 0.042		2.36 x 10 <sup>-7</sup>	0.017	0.69

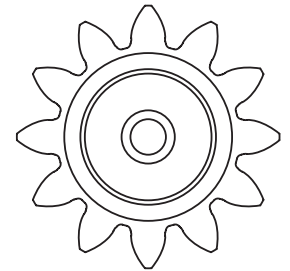
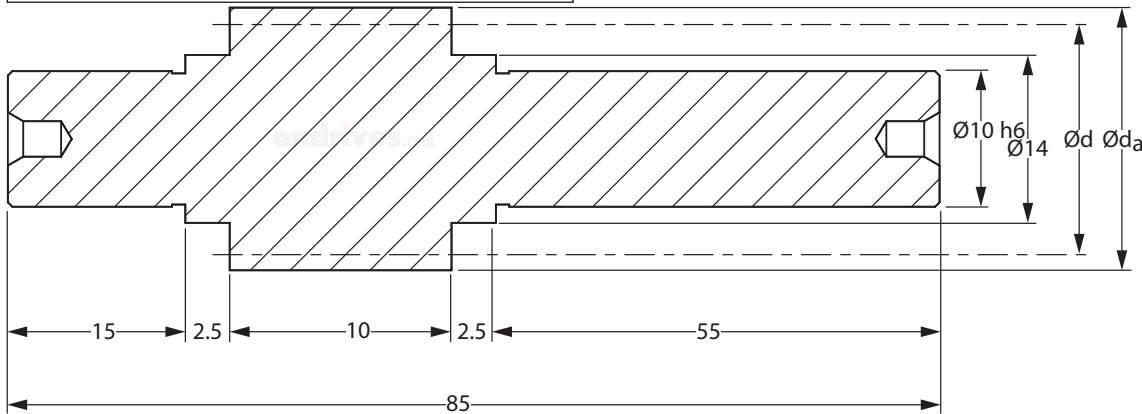
Part Number	No. of Teeth <i>z</i>	Ref. Dia. <i>d</i>	Tip Dia. <i>d<sub>a</sub></i>	Backlash (mm)		Inertia <i>kgm<sup>2</sup></i>	Mass <i>kg</i>	Torque <i>T<sub>2</sub></i> Nm <i>n<sub>2</sub></i> 100 Rpm
				<i>j<sub>t,e</sub></i> (max)	<i>j<sub>t,i</sub></i> (min)			
303 Stainless								
PPS0.5-18S	18	9.0	10.0	0.076 - 0.037		6.71 x 10 <sup>-8</sup>	0.013	0.15
PPS0.5-19S	19	9.5	10.5	0.076 - 0.037		7.32 x 10 <sup>-8</sup>	0.014	0.16
PPS0.5-20S	20	10.0	11.0	0.076 - 0.037		8.03 x 10 <sup>-8</sup>	0.014	0.21
PPS0.5-21S	21	10.5	11.5	0.077 - 0.036		8.85 x 10 <sup>-8</sup>	0.014	0.22
PPS0.5-22S	22	11.0	12.0	0.077 - 0.036		9.80 x 10 <sup>-8</sup>	0.015	0.23
PPS0.5-23S	23	11.5	12.5	0.077 - 0.036		1.09 x 10 <sup>-7</sup>	0.015	0.25
PPS0.5-24S	24	12.0	13.0	0.077 - 0.036		1.21 x 10 <sup>-7</sup>	0.015	0.26
PPS0.5-25S	25	12.5	13.5	0.087 - 0.042		1.35 x 10 <sup>-7</sup>	0.016	0.27
PPS0.5-26S	26	13.0	14.0	0.087 - 0.042		1.51 x 10 <sup>-7</sup>	0.016	0.33
PPS0.5-27S	27	13.5	14.5	0.087 - 0.042		1.69 x 10 <sup>-7</sup>	0.016	0.34
PPS0.5-28S	28	14.0	15.0	0.087 - 0.042		1.89 x 10 <sup>-7</sup>	0.017	0.35
PPS0.5-29S	29	14.5	15.5	0.087 - 0.042		2.11 x 10 <sup>-7</sup>	0.017	0.36
PPS0.5-30S	30	15.0	16.0	0.087 - 0.042		2.35 x 10 <sup>-7</sup>	0.018	0.41

**PPS**  
**PPS-S**  
**1.0m<sub>n</sub>**

# PRECISION GEARS

## 1.0 Module Pinion Shafts α 20° PA

Quality Grade 7e25 DIN 3961/3967 (AGMA Q10)



DIN 3967 Tooth Thickness tol.

η<sub>z</sub> Mesh Efficiency approx. 98%

Other numbers of teeth available. Please contact Sales for details.

Part Number	No. of Teeth <i>z</i>	Ref. Dia. <i>d</i>	Tip Dia. <i>d<sub>a</sub></i>	Backlash (mm)		Inertia <i>kgm<sup>2</sup></i>	Mass <i>kg</i>	Torque <i>T<sub>2</sub> Nm</i> <i>n<sub>2</sub> 100 Rpm</i>
				<i>j<sub>t,e</sub> (max)</i>	<i>j<sub>t,i</sub> (min)</i>			
817M40T								
PPS1.0-18	18	18	20	0.127 - 0.053		1.38 x 10 <sup>-6</sup>	0.069	1.76
PPS1.0-19	19	19	21	0.128 - 0.052		1.58 x 10 <sup>-6</sup>	0.071	1.86
PPS1.0-20	20	20	22	0.128 - 0.052		1.81 x 10 <sup>-6</sup>	0.074	2.48
PPS1.0-21	21	21	23	0.128 - 0.052		2.07 x 10 <sup>-6</sup>	0.076	2.60
PPS1.0-22	22	22	24	0.128 - 0.052		2.38 x 10 <sup>-6</sup>	0.079	2.73
PPS1.0-23	23	23	25	0.128 - 0.052		2.73 x 10 <sup>-6</sup>	0.081	2.85
PPS1.0-24	24	24	26	0.128 - 0.052		3.13 x 10 <sup>-6</sup>	0.084	2.97
PPS1.0-25	25	25	27	0.128 - 0.052		3.58 x 10 <sup>-6</sup>	0.087	3.10
PPS1.0-26	26	26	28	0.128 - 0.052		4.09 x 10 <sup>-6</sup>	0.090	3.79
PPS1.0-27	27	27	29	0.128 - 0.052		4.66 x 10 <sup>-6</sup>	0.094	3.94
PPS1.0-28	28	28	30	0.128 - 0.052		5.29 x 10 <sup>-6</sup>	0.097	4.08
PPS1.0-29	29	29	31	0.128 - 0.052		6.00 x 10 <sup>-6</sup>	0.100	4.23
PPS1.0-30	30	30	32	0.128 - 0.052		6.79 x 10 <sup>-6</sup>	0.104	4.81

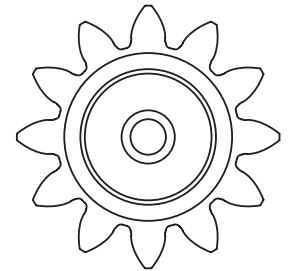
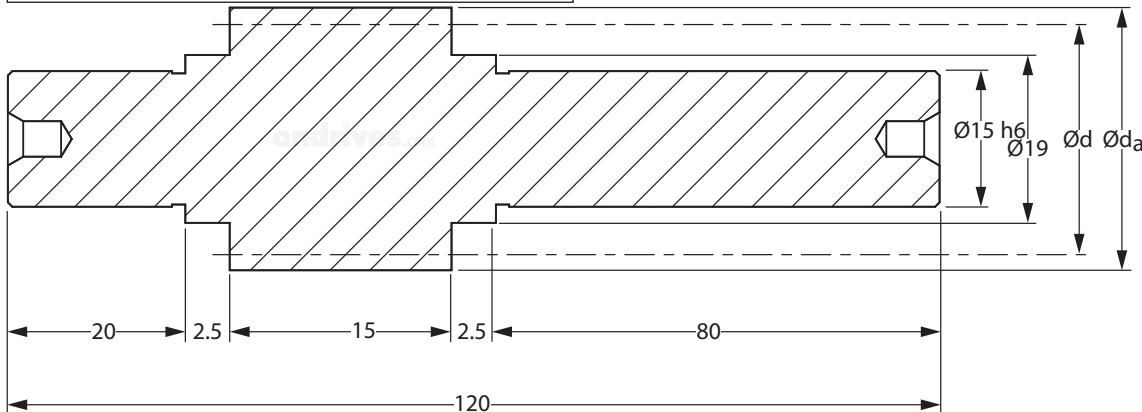
Part Number	No. of Teeth <i>z</i>	Ref. Dia. <i>d</i>	Tip Dia. <i>d<sub>a</sub></i>	Backlash (mm)		Inertia <i>kgm<sup>2</sup></i>	Mass <i>kg</i>	Torque <i>T<sub>2</sub> Nm</i> <i>n<sub>2</sub> 100 Rpm</i>
				<i>j<sub>t,e</sub> (max)</i>	<i>j<sub>t,i</sub> (min)</i>			
303 Stainless								
PPS1.0-18S	18	18	20	0.127 - 0.053		1.37 x 10 <sup>-6</sup>	0.070	1.06
PPS1.0-19S	19	19	21	0.128 - 0.052		1.57 x 10 <sup>-6</sup>	0.073	1.12
PPS1.0-20S	20	20	22	0.128 - 0.052		1.80 x 10 <sup>-6</sup>	0.075	1.49
PPS1.0-21S	21	21	23	0.128 - 0.052		2.06 x 10 <sup>-6</sup>	0.078	1.56
PPS1.0-22S	22	22	24	0.128 - 0.052		2.36 x 10 <sup>-6</sup>	0.080	1.64
PPS1.0-23S	23	23	25	0.128 - 0.052		2.71 x 10 <sup>-6</sup>	0.083	1.71
PPS1.0-24S	24	24	26	0.128 - 0.052		3.11 x 10 <sup>-6</sup>	0.086	1.78
PPS1.0-25S	25	25	27	0.128 - 0.052		3.56 x 10 <sup>-6</sup>	0.089	1.86
PPS1.0-26S	26	26	28	0.128 - 0.052		4.06 x 10 <sup>-6</sup>	0.092	2.27
PPS1.0-27S	27	27	29	0.128 - 0.052		4.63 x 10 <sup>-6</sup>	0.095	2.36
PPS1.0-28S	28	28	30	0.128 - 0.052		5.26 x 10 <sup>-6</sup>	0.099	2.45
PPS1.0-29S	29	29	31	0.128 - 0.052		5.96 x 10 <sup>-6</sup>	0.102	2.54
PPS1.0-30S	30	30	32	0.128 - 0.052		6.75 x 10 <sup>-6</sup>	0.106	2.89

**PPS**  
**PPS-S**  
**1.5m<sub>n</sub>**

# PRECISION GEARS

## 1.5 Module Pinion Shafts α 20° PA

Quality Grade 7e25 DIN 3961/3967 (AGMA Q10)



DIN 3967 Tooth Thickness tol.

$\eta_z$  Mesh Efficiency approx. 98%

Other numbers of teeth available. Please contact Sales for details.

Part Number	No. of Teeth <i>z</i>	Ref. Dia. <i>d</i>	Tip Dia. <i>d<sub>a</sub></i>	Backlash (mm)		Inertia <i>kgm<sup>2</sup></i>	Mass <i>kg</i>	Torque <i>T<sub>2</sub> Nm</i> <i>n<sub>2</sub> 100 Rpm</i>
				<i>j<sub>t,e</sub> (max)</i>	<i>j<sub>t,i</sub> (min)</i>			
817M40T								
PPS1.5-16	16	24.0	27.0	0.128 - 0.052		7.95 x 10 <sup>-6</sup>	0.203	4.90
PPS1.5-18	18	27.0	30.0	0.128 - 0.052		1.03 x 10 <sup>-5</sup>	0.216	5.49
PPS1.5-19	19	28.5	31.5	0.128 - 0.052		1.18 x 10 <sup>-5</sup>	0.224	5.79
PPS1.5-20	20	30.0	33.0	0.128 - 0.052		1.35 x 10 <sup>-5</sup>	0.232	7.71
PPS1.5-21	21	31.5	34.5	0.129 - 0.051		1.55 x 10 <sup>-5</sup>	0.240	8.10
PPS1.5-22	22	33.0	36.0	0.129 - 0.051		1.78 x 10 <sup>-5</sup>	0.249	8.48
PPS1.5-23	23	34.5	37.5	0.129 - 0.051		2.05 x 10 <sup>-5</sup>	0.259	8.87
PPS1.5-24	24	36.0	39.0	0.129 - 0.051		2.35 x 10 <sup>-5</sup>	0.268	9.25
PPS1.5-25	25	37.5	40.5	0.129 - 0.051		2.70 x 10 <sup>-5</sup>	0.278	9.64
PPS1.5-26	26	39.0	42.0	0.129 - 0.051		3.08 x 10 <sup>-5</sup>	0.289	11.79
PPS1.5-27	27	40.5	43.5	0.129 - 0.051		3.51 x 10 <sup>-5</sup>	0.300	12.25
PPS1.5-28	28	42.0	45.0	0.129 - 0.051		4.00 x 10 <sup>-5</sup>	0.311	12.70
PPS1.5-29	29	43.5	46.5	0.129 - 0.051		4.54 x 10 <sup>-5</sup>	0.323	13.15
PPS1.5-30	30	45.0	48.0	0.129 - 0.051		5.13 x 10 <sup>-5</sup>	0.335	14.97

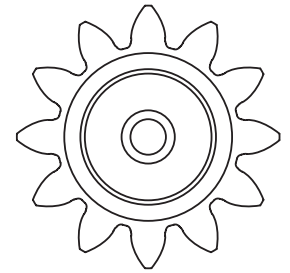
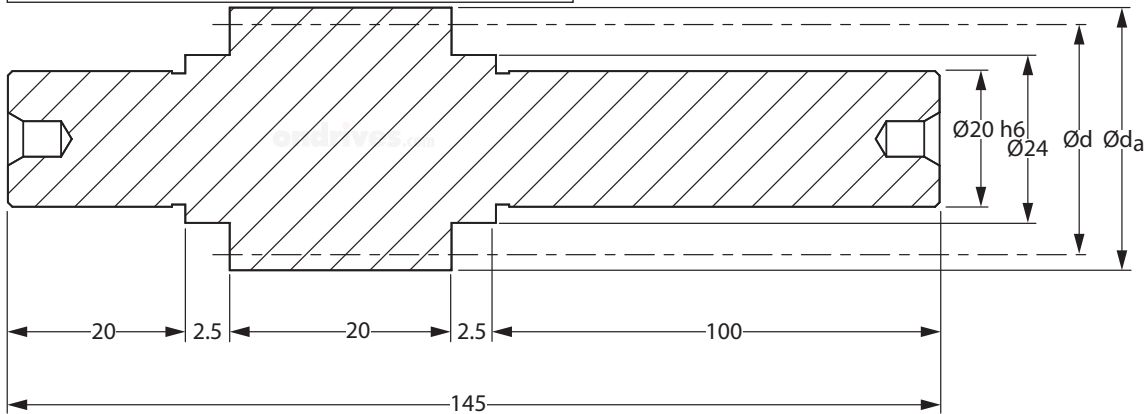
Part Number	No. of Teeth <i>z</i>	Ref. Dia. <i>d</i>	Tip Dia. <i>d<sub>a</sub></i>	Backlash (mm)		Inertia <i>kgm<sup>2</sup></i>	Mass <i>kg</i>	Torque <i>T<sub>2</sub> Nm</i> <i>n<sub>2</sub> 100 Rpm</i>
				<i>j<sub>t,e</sub> (max)</i>	<i>j<sub>t,i</sub> (min)</i>			
303 Stainless								
<a href="#">PPS1.5-16S</a>	16	24.0	27.0	0.128 - 0.052		7.90 x 10 <sup>-6</sup>	0.206	2.70
<a href="#">PPS1.5-18S</a>	18	27.0	30.0	0.128 - 0.052		1.02 x 10 <sup>-5</sup>	0.221	3.29
<a href="#">PPS1.5-19S</a>	19	28.5	31.5	0.128 - 0.052		1.17 x 10 <sup>-5</sup>	0.228	3.48
<a href="#">PPS1.5-20S</a>	20	30.0	33.0	0.128 - 0.052		1.34 x 10 <sup>-5</sup>	0.237	4.63
<a href="#">PPS1.5-21S</a>	21	31.5	34.5	0.129 - 0.051		1.54 x 10 <sup>-5</sup>	0.245	4.86
<a href="#">PPS1.5-22S</a>	22	33.0	36.0	0.129 - 0.051		1.77 x 10 <sup>-5</sup>	0.254	5.09
<a href="#">PPS1.5-23S</a>	23	34.5	37.5	0.129 - 0.051		2.04 x 10 <sup>-5</sup>	0.264	5.32
<a href="#">PPS1.5-24S</a>	24	36.0	39.0	0.129 - 0.051		2.34 x 10 <sup>-5</sup>	0.273	5.55
<a href="#">PPS1.5-25S</a>	25	37.5	40.5	0.129 - 0.051		2.68 x 10 <sup>-5</sup>	0.284	5.78
<a href="#">PPS1.5-26S</a>	26	39.0	42.0	0.129 - 0.051		3.06 x 10 <sup>-5</sup>	0.294	7.08
<a href="#">PPS1.5-27S</a>	27	40.5	43.5	0.129 - 0.051		3.49 x 10 <sup>-5</sup>	0.306	7.35
<a href="#">PPS1.5-28S</a>	28	42.0	45.0	0.129 - 0.051		3.97 x 10 <sup>-5</sup>	0.317	7.62
<a href="#">PPS1.5-29S</a>	29	43.5	46.5	0.129 - 0.051		4.51 x 10 <sup>-5</sup>	0.329	7.89
<a href="#">PPS1.5-30S</a>	30	45.0	48.0	0.129 - 0.051		5.10 x 10 <sup>-5</sup>	0.341	8.98

**PPS**  
**PPS-S**  
**2.0m<sub>n</sub>**

# PRECISION GEARS

## 2.0 Module Pinion Shafts α 20° PA

Quality Grade 7e25 DIN 3961/3967 (AGMA Q10)



DIN 3967 Tooth Thickness tol.

η<sub>z</sub> Mesh Efficiency approx. 98%

Other numbers of teeth available. Please contact Sales for details.

Part Number	No. of Teeth <i>z</i>	Ref. Dia. <i>d</i>	Tip Dia. <i>d<sub>a</sub></i>	Backlash (mm)		Inertia <i>kgm<sup>2</sup></i>	Mass <i>kg</i>	Torque <i>T<sub>2</sub> Nm</i> <i>n<sub>2</sub> 100 Rpm</i>
				<i>j<sub>t,e</sub> (max)</i>	<i>j<sub>t,i</sub> (min)</i>			
817M40T								
PPS2.0-16	16	32	36	0.129 - 0.051		3.19 x 10 <sup>-5</sup>	0.439	11.40
PPS2.0-18	18	36	40	0.129 - 0.051		4.17 x 10 <sup>-5</sup>	0.472	12.28
PPS2.0-19	19	38	42	0.129 - 0.051		4.79 x 10 <sup>-5</sup>	0.490	12.97
PPS2.0-20	20	40	44	0.129 - 0.051		5.53 x 10 <sup>-5</sup>	0.509	17.26
PPS2.0-21	21	42	46	0.129 - 0.051		6.38 x 10 <sup>-5</sup>	0.529	18.12
PPS2.0-22	22	44	48	0.129 - 0.051		7.36 x 10 <sup>-5</sup>	0.550	18.98
PPS2.0-23	23	46	50	0.129 - 0.051		8.48 x 10 <sup>-5</sup>	0.571	19.85
PPS2.0-24	24	48	52	0.129 - 0.051		9.75 x 10 <sup>-5</sup>	0.594	20.71
PPS2.0-25	25	50	54	0.129 - 0.051		1.12 x 10 <sup>-4</sup>	0.618	21.57
PPS2.0-26	26	52	56	0.171 - 0.069		1.28 x 10 <sup>-4</sup>	0.643	26.39
PPS2.0-27	27	54	58	0.171 - 0.069		1.46 x 10 <sup>-4</sup>	0.669	27.41
PPS2.0-28	28	56	60	0.171 - 0.069		1.67 x 10 <sup>-4</sup>	0.696	28.42
PPS2.0-29	29	58	62	0.171 - 0.069		1.89 x 10 <sup>-4</sup>	0.724	29.44
PPS2.0-30	30	60	64	0.171 - 0.069		2.15 x 10 <sup>-4</sup>	0.753	33.50

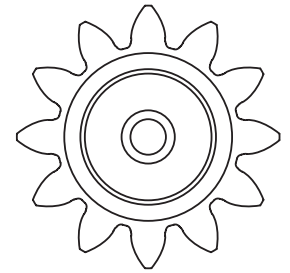
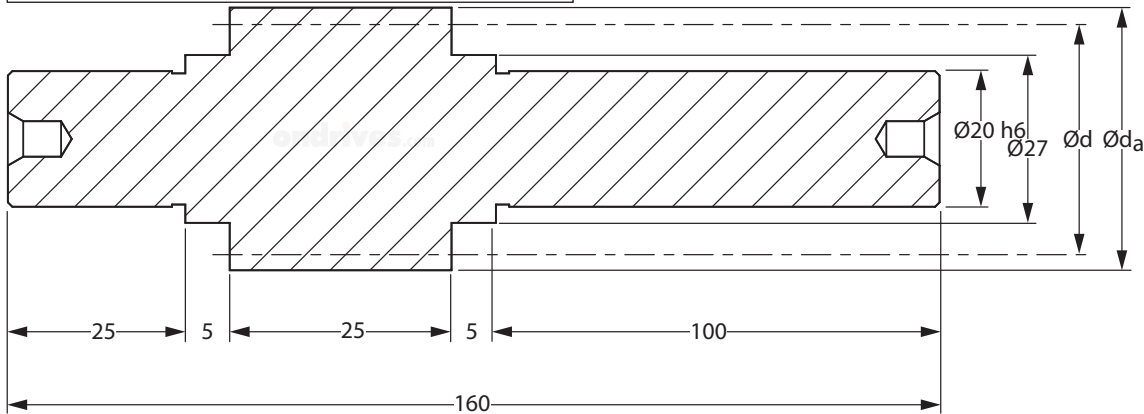
Part Number	No. of Teeth <i>z</i>	Ref. Dia. <i>d</i>	Tip Dia. <i>d<sub>a</sub></i>	Backlash (mm)		Inertia <i>kgm<sup>2</sup></i>	Mass <i>kg</i>	Torque <i>T<sub>2</sub> Nm</i> <i>n<sub>2</sub> 100 Rpm</i>
				<i>j<sub>t,e</sub> (max)</i>	<i>j<sub>t,i</sub> (min)</i>			
303 Stainless								
PPS2.0-16S	16	32	36	0.129 - 0.051		3.16 x 10 <sup>-5</sup>	0.447	6.90
PPS2.0-18S	18	36	40	0.129 - 0.051		4.14 x 10 <sup>-5</sup>	0.481	7.37
PPS2.0-19S	19	38	42	0.129 - 0.051		4.76 x 10 <sup>-5</sup>	0.499	7.78
PPS2.0-20S	20	40	44	0.129 - 0.051		5.49 x 10 <sup>-5</sup>	0.518	10.35
PPS2.0-21S	21	42	46	0.129 - 0.051		6.34 x 10 <sup>-5</sup>	0.539	10.87
PPS2.0-22S	22	44	48	0.129 - 0.051		7.31 x 10 <sup>-5</sup>	0.560	11.39
PPS2.0-23S	23	46	50	0.129 - 0.051		8.42 x 10 <sup>-5</sup>	0.582	11.91
PPS2.0-24S	24	48	52	0.129 - 0.051		9.69 x 10 <sup>-5</sup>	0.606	12.43
PPS2.0-25S	25	50	54	0.129 - 0.051		1.11 x 10 <sup>-4</sup>	0.630	12.94
PPS2.0-26S	26	52	56	0.171 - 0.069		1.27 x 10 <sup>-4</sup>	0.656	15.84
PPS2.0-27S	27	54	58	0.171 - 0.069		1.46 x 10 <sup>-4</sup>	0.682	16.44
PPS2.0-28S	28	56	60	0.171 - 0.069		1.66 x 10 <sup>-4</sup>	0.709	17.05
PPS2.0-29S	29	58	62	0.171 - 0.069		1.88 x 10 <sup>-4</sup>	0.738	17.66
PPS2.0-30S	30	60	64	0.171 - 0.069		2.13 x 10 <sup>-4</sup>	0.767	20.10

**PPS**  
**PPS-S**  
**2.5m<sub>n</sub>**

# PRECISION GEARS

## 2.5 Module Pinion Shafts α 20° PA

Quality Grade 7e25 DIN 3961/3967 (AGMA Q10)



DIN 3967 Tooth Thickness tol.

$\eta_z$  Mesh Efficiency approx. 98%

Other numbers of teeth available. Please contact Sales for details.

Part Number	No. of Teeth <i>z</i>	Ref. Dia. <i>d</i>	Tip Dia. <i>d<sub>a</sub></i>	Backlash (mm) <i>j<sub>t,e</sub> (max) j<sub>t,i</sub> (min)</i>	Inertia <i>kgm<sup>2</sup></i>	Mass <i>kg</i>	Torque <i>T<sub>2</sub> Nm</i> <i>n<sub>2</sub> 100 Rpm</i>
817M40T							
PPS2.5-14	14	35.0	40.0	0.129 - 0.051	4.68 x 10 <sup>-5</sup>	0.540	17.60
PPS2.5-16	16	40.0	45.0	0.129 - 0.051	6.76 x 10 <sup>-5</sup>	0.597	19.80
PPS2.5-18	18	45.0	50.0	0.129 - 0.051	9.75 x 10 <sup>-5</sup>	0.662	22.94
PPS2.5-19	19	47.5	52.5	0.129 - 0.051	1.17 x 10 <sup>-4</sup>	0.697	24.22
PPS2.5-20	20	50.0	55.0	0.129 - 0.051	1.39 x 10 <sup>-4</sup>	0.734	32.23
PPS2.5-21	21	52.5	57.5	0.171 - 0.069	1.65 x 10 <sup>-4</sup>	0.773	33.85
PPS2.5-22	22	55.0	60.0	0.171 - 0.069	1.95 x 10 <sup>-4</sup>	0.814	35.46
PPS2.5-23	23	57.5	62.5	0.171 - 0.069	2.29 x 10 <sup>-4</sup>	0.857	37.07
PPS2.5-24	24	60.0	65.0	0.171 - 0.069	2.68 x 10 <sup>-4</sup>	0.901	38.68
PPS2.5-25	25	62.5	67.5	0.171 - 0.069	3.12 x 10 <sup>-4</sup>	0.948	40.29

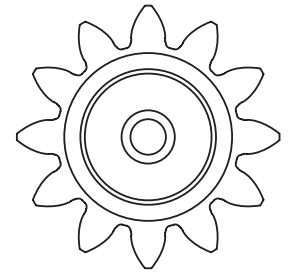
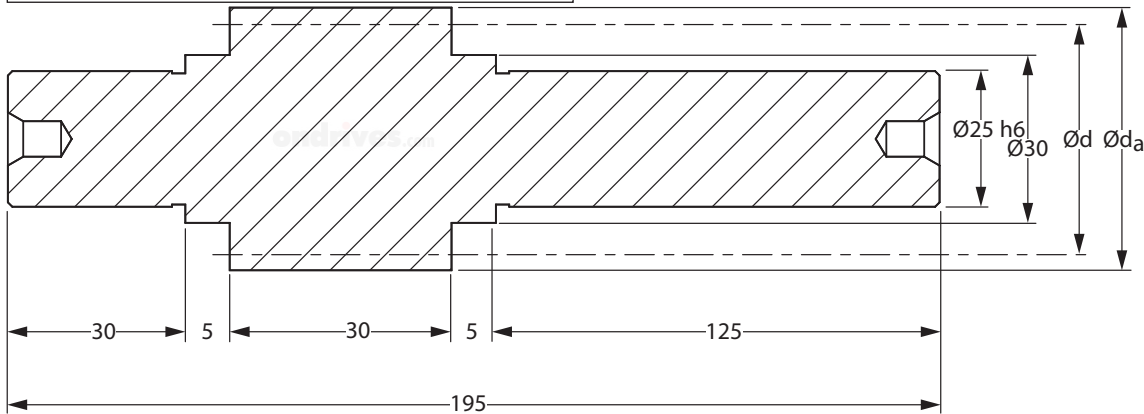
Part Number	No. of Teeth <i>z</i>	Ref. Dia. <i>d</i>	Tip Dia. <i>d<sub>a</sub></i>	Backlash (mm) <i>j<sub>t,e</sub> (max) j<sub>t,i</sub> (min)</i>	Inertia <i>kgm<sup>2</sup></i>	Mass <i>kg</i>	Torque <i>T<sub>2</sub> Nm</i> <i>n<sub>2</sub> 100 Rpm</i>
303 Stainless							
PPS2.5-14S	14	35.0	40.0	0.129 - 0.051	4.65 x 10 <sup>-5</sup>	0.551	9.40
PPS2.5-16S	16	40.0	45.0	0.129 - 0.051	6.71 x 10 <sup>-5</sup>	0.608	11.70
PPS2.5-18S	18	45.0	50.0	0.129 - 0.051	9.69 x 10 <sup>-5</sup>	0.674	13.77
PPS2.5-19S	19	47.5	52.5	0.129 - 0.051	1.16 x 10 <sup>-4</sup>	0.710	14.53
PPS2.5-20S	20	50.0	55.0	0.129 - 0.051	1.38 x 10 <sup>-4</sup>	0.748	19.34
PPS2.5-21S	21	52.5	57.5	0.171 - 0.069	1.64 x 10 <sup>-4</sup>	0.788	20.31
PPS2.5-22S	22	55.0	60.0	0.171 - 0.069	1.94 x 10 <sup>-4</sup>	0.829	21.27
PPS2.5-23S	23	57.5	62.5	0.171 - 0.069	2.28 x 10 <sup>-4</sup>	0.873	22.24
PPS2.5-24S	24	60.0	65.0	0.171 - 0.069	2.66 x 10 <sup>-4</sup>	0.919	23.21
PPS2.5-25S	25	62.5	67.5	0.171 - 0.069	3.10 x 10 <sup>-4</sup>	0.966	24.18

**PPS**  
**PPS-S**  
**3.0m<sub>n</sub>**

# PRECISION GEARS

## 3.0 Module Pinion Shafts α 20° PA

Quality Grade 7e25 DIN 3961/3967 (AGMA Q10)



DIN 3967 Tooth Thickness tol.

η<sub>z</sub> Mesh Efficiency approx. 98%

Other numbers of teeth available. Please contact Sales for details.

Part Number	No. of Teeth <i>z</i>	Ref. Dia. <i>d</i>	Tip Dia. <i>d<sub>a</sub></i>	Backlash (mm) <i>j<sub>t,e</sub> (max) j<sub>t,i</sub> (min)</i>	Inertia <i>kgm<sup>2</sup></i>	Mass <i>kg</i>	Torque <i>T<sub>2</sub> Nm</i> <i>n<sub>2</sub> 100 Rpm</i>
817M40T							
PPS3.0-14	14	42	48	0.129 - 0.051	1.25 x 10 <sup>-4</sup>	0.976	31.60
PPS3.0-16	16	48	54	0.129 - 0.051	1.76 x 10 <sup>-4</sup>	1.074	34.10
PPS3.0-18	18	54	60	0.171 - 0.069	2.51 x 10 <sup>-4</sup>	1.186	38.23
PPS3.0-19	19	57	63	0.171 - 0.069	2.98 x 10 <sup>-4</sup>	1.246	40.35
PPS3.0-20	20	60	66	0.171 - 0.069	3.54 x 10 <sup>-4</sup>	1.311	53.71
PPS3.0-21	21	63	69	0.171 - 0.069	4.19 x 10 <sup>-4</sup>	1.378	56.39
PPS3.0-22	22	66	72	0.171 - 0.069	4.93 x 10 <sup>-4</sup>	1.449	59.08
PPS3.0-23	23	69	75	0.171 - 0.069	5.78 x 10 <sup>-4</sup>	1.523	61.76
PPS3.0-24	24	72	78	0.171 - 0.069	6.75 x 10 <sup>-4</sup>	1.600	64.45
PPS3.0-25	25	75	81	0.171 - 0.069	7.84 x 10 <sup>-4</sup>	1.681	67.13

Part Number	No. of Teeth <i>z</i>	Ref. Dia. <i>d</i>	Tip Dia. <i>d<sub>a</sub></i>	Backlash (mm) <i>j<sub>t,e</sub> (max) j<sub>t,i</sub> (min)</i>	Inertia <i>kgm<sup>2</sup></i>	Mass <i>kg</i>	Torque <i>T<sub>2</sub> Nm</i> <i>n<sub>2</sub> 100 Rpm</i>
303 Stainless							
PPS3.0-14S	14	42	48	0.129 - 0.051	1.24 x 10 <sup>-4</sup>	0.995	17.30
PPS3.0-16S	16	48	54	0.129 - 0.051	1.75 x 10 <sup>-4</sup>	1.095	19.50
PPS3.0-18S	18	54	60	0.171 - 0.069	2.49 x 10 <sup>-4</sup>	1.208	22.94
PPS3.0-19S	19	57	63	0.171 - 0.069	2.96 x 10 <sup>-4</sup>	1.270	24.21
PPS3.0-20S	20	60	66	0.171 - 0.069	3.52 x 10 <sup>-4</sup>	1.336	32.22
PPS3.0-21S	21	63	69	0.171 - 0.069	4.16 x 10 <sup>-4</sup>	1.404	33.83
PPS3.0-22S	22	66	72	0.171 - 0.069	4.90 x 10 <sup>-4</sup>	1.476	35.45
PPS3.0-23S	23	69	75	0.171 - 0.069	5.74 x 10 <sup>-4</sup>	1.552	37.06
PPS3.0-24S	24	72	78	0.171 - 0.069	6.71 x 10 <sup>-4</sup>	1.631	38.67
PPS3.0-25S	25	75	81	0.171 - 0.069	7.79 x 10 <sup>-4</sup>	1.713	40.28