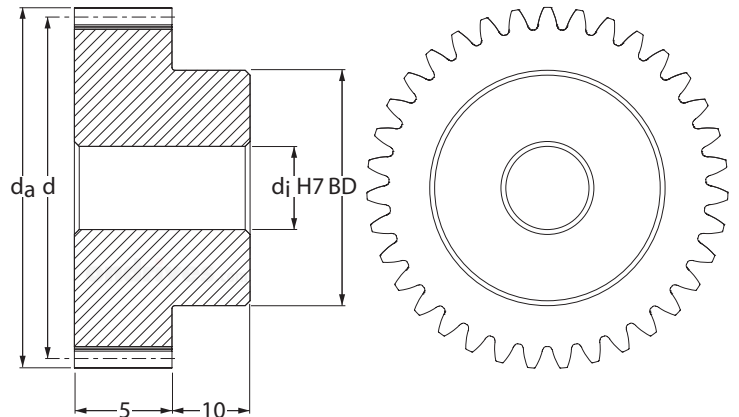


PSG-DL
PSG-PK
0.5m_n

PRECISION GEARS

0.5 Module Plastic Spur Gear α 20° PA

Quality Grade 8e DIN 3961/58405 (AGMA Q9)



DIN 58405 Tooth Thickness tol.

Part Number		No. of Teeth <i>z</i>	Ref. Dia. <i>d</i>	Tip Dia. <i>d_a</i>	Bore H7 <i>d_j</i>	Max. Bore H7 <i>d_j</i>	Hub Dia. <i>BD</i>
Delrin POM	PEEK GF30°						
PSG0.5-18DL	PSG0.5-18PK	18	9.0	10.0	3	3	7
PSG0.5-19DL	PSG0.5-19PK	19	9.5	10.5	4	4	8
PSG0.5-20DL	PSG0.5-20PK	20	10.0	11.0	4	4	8
PSG0.5-21DL	PSG0.5-21PK	21	10.5	11.5	4	4	8
PSG0.5-22DL	PSG0.5-22PK	22	11.0	12.0	4	4	8
PSG0.5-23DL	PSG0.5-23PK	23	11.5	12.5	4	4	8
PSG0.5-24DL	PSG0.5-24PK	24	12.0	13.0	5	5	10
PSG0.5-25DL	PSG0.5-25PK	25	12.5	13.5	5	5	10
PSG0.5-26DL	PSG0.5-26PK	26	13.0	14.0	5	5	10
PSG0.5-27DL	PSG0.5-27PK	27	13.5	14.5	5	5	10
PSG0.5-28DL	PSG0.5-28PK	28	14.0	15.0	5	5	10
PSG0.5-29DL	PSG0.5-29PK	29	14.5	15.5	6	6	13
PSG0.5-30DL	PSG0.5-30PK	30	15.0	16.0	6	6	13
PSG0.5-32DL	PSG0.5-32PK	32	16.0	17.0	6	6	13
PSG0.5-35DL	PSG0.5-35PK	35	17.5	18.5	6	6	13
PSG0.5-38DL	PSG0.5-38PK	38	19.0	20.0	6	8	17
PSG0.5-40DL	PSG0.5-40PK	40	20.0	21.0	6	8	17
PSG0.5-42DL	PSG0.5-42PK	42	21.0	22.0	6	8	17
PSG0.5-45DL	PSG0.5-45PK	45	22.5	23.5	6	8	17
PSG0.5-48DL	PSG0.5-48PK	48	24.0	25.0	6	8	17
PSG0.5-50DL	PSG0.5-50PK	50	25.0	26.0	6	8	17
PSG0.5-52DL	PSG0.5-52PK	52	26.0	27.0	6	8	17
PSG0.5-55DL	PSG0.5-55PK	55	27.5	28.5	6	8	17
PSG0.5-58DL	PSG0.5-58PK	58	29.0	30.0	6	8	17
PSG0.5-60DL	PSG0.5-60PK	60	30.0	31.0	6	8	17
PSG0.5-62DL	PSG0.5-62PK	62	31.0	32.0	8	10	20
PSG0.5-65DL	PSG0.5-65PK	65	32.5	33.5	8	10	20
PSG0.5-68DL	PSG0.5-68PK	68	34.0	35.0	8	10	20
PSG0.5-70DL	PSG0.5-70PK	70	35.0	36.0	8	10	20
PSG0.5-72DL	PSG0.5-72PK	72	36.0	37.0	8	10	20
PSG0.5-75DL	PSG0.5-75PK	75	37.5	38.5	8	10	20
PSG0.5-78DL	PSG0.5-78PK	78	39.0	40.0	8	10	20
PSG0.5-80DL	PSG0.5-80PK	80	40.0	41.0	8	12	25
PSG0.5-82DL	PSG0.5-82PK	82	41.0	42.0	8	12	25
PSG0.5-85DL	PSG0.5-85PK	85	42.5	43.5	8	12	25
PSG0.5-90DL	PSG0.5-90PK	90	45.0	46.0	8	12	25
PSG0.5-95DL	PSG0.5-95PK	95	47.5	48.5	8	12	25
PSG0.5-100DL	PSG0.5-100PK	100	50.0	51.0	10	16	30
PSG0.5-105DL	PSG0.5-105PK	105	52.5	53.5	10	16	30
PSG0.5-110DL	PSG0.5-110PK	110	55.0	56.0	10	16	30
PSG0.5-115DL	PSG0.5-115PK	115	57.5	58.5	10	16	30
PSG0.5-120DL	PSG0.5-120PK	120	60.0	61.0	10	20	35
PSG0.5-130DL	PSG0.5-130PK	130	65.0	66.0	10	20	35
PSG0.5-140DL	PSG0.5-140PK	140	70.0	71.0	10	20	35
PSG0.5-150DL	PSG0.5-150PK	150	75.0	76.0	10	25	40
PSG0.5-160DL	PSG0.5-160PK	160	80.0	81.0	10	25	40
PSG0.5-170DL	PSG0.5-170PK	170	85.0	86.0	10	25	40
PSG0.5-180DL	PSG0.5-180PK	180	90.0	91.0	14	30	50
PSG0.5-190DL	PSG0.5-190PK	190	95.0	96.0	14	30	50
PSG0.5-200DL	PSG0.5-200PK	200	100.0	101.0	14	30	50
PSG0.5-210DL	PSG0.5-210PK	210	105.0	106.0	14	30	50
PSG0.5-220DL	PSG0.5-220PK	220	110.0	111.0	16	40	60
PSG0.5-230DL	PSG0.5-230PK	230	115.0	116.0	16	40	60
PSG0.5-240DL	PSG0.5-240PK	240	120.0	121.0	16	40	60
PSG0.5-250DL	PSG0.5-250PK	250	125.0	126.0	16	40	60

PSG-DL
PSG-PK
0.5m_n

PRECISION GEARS

0.5 Module Plastic Spur Gear α 20° PA

Quality Grade 8e DIN 3961/58405 (AGMA Q9)

Standard Part **PSG** **0.5** **50** **DL**

Modified Part **PSG** **0.5** **50** **PK** **8** **K** **T**

PSG - Precision Spur Gear
Quality Grade 7e DIN 3961/58405
Other Quality Grades available.
See Technical

m_n Module - Cut with DIN 867 1.25/0.20/1.0
Ref. Tooth Profile Topping WD = 2.25 x m_n

Number of Teeth **z**

DL = Delrin POM (White)
PK = PEEK GF30® (Light Brown)

T = 1 x Tapped hole **2T** = 2 x Tapped holes
P = 1 x Pin Hole **PT** = 1 x Pin Hole through
All threads metric as standard.
See Technical

K - Keyway supplied to
DIN 6885 - Js9 tolerance.
See Technical

To specify different bore enter size required
Example: 8 = 8mm H7 etc
See Technical

η_z Meshing Efficiency approx. 98%

Part Number Delrin POM	Backlash (mm) j _{t,e} (max) j _{t,i} (min)	Inertia kgm ²	Mass kg	Torque T ₂ Nm n ₂ 100 Rpm	Part Number PEEK GF30®	Backlash (mm) j _{t,e} (max) j _{t,i} (min)	Inertia kgm ²	Mass kg	Torque T ₂ Nm n ₂ 100 Rpm
PSG0.5-18DL	0.105 - 0.054	7.86 x 10 ⁻⁹	0.001	0.17	PSG0.5-18PK	0.105 - 0.054	8.31 x 10 ⁻⁹	0.001	0.23
PSG0.5-19DL	0.105 - 0.054	1.09 x 10 ⁻⁸	0.001	0.18	PSG0.5-19PK	0.105 - 0.054	1.16 x 10 ⁻⁸	0.001	0.25
PSG0.5-20DL	0.105 - 0.054	1.22 x 10 ⁻⁸	0.001	0.20	PSG0.5-20PK	0.105 - 0.054	1.29 x 10 ⁻⁸	0.001	0.27
PSG0.5-21DL	0.107 - 0.053	1.37 x 10 ⁻⁸	0.001	0.21	PSG0.5-21PK	0.107 - 0.053	1.45 x 10 ⁻⁸	0.001	0.29
PSG0.5-22DL	0.107 - 0.053	1.54 x 10 ⁻⁸	0.001	0.23	PSG0.5-22PK	0.107 - 0.053	1.63 x 10 ⁻⁸	0.001	0.31
PSG0.5-23DL	0.107 - 0.053	1.74 x 10 ⁻⁸	0.001	0.24	PSG0.5-23PK	0.107 - 0.053	1.84 x 10 ⁻⁸	0.001	0.33
PSG0.5-24DL	0.107 - 0.053	2.71 x 10 ⁻⁸	0.001	0.26	PSG0.5-24PK	0.107 - 0.053	2.86 x 10 ⁻⁸	0.002	0.35
PSG0.5-25DL	0.117 - 0.059	2.96 x 10 ⁻⁸	0.002	0.27	PSG0.5-25PK	0.117 - 0.059	3.13 x 10 ⁻⁸	0.002	0.37
PSG0.5-26DL	0.117 - 0.059	3.24 x 10 ⁻⁸	0.002	0.29	PSG0.5-26PK	0.117 - 0.059	3.43 x 10 ⁻⁸	0.002	0.39
PSG0.5-27DL	0.117 - 0.059	3.56 x 10 ⁻⁸	0.002	0.30	PSG0.5-27PK	0.117 - 0.059	3.77 x 10 ⁻⁸	0.002	0.41
PSG0.5-28DL	0.117 - 0.059	3.92 x 10 ⁻⁸	0.002	0.31	PSG0.5-28PK	0.117 - 0.059	4.14 x 10 ⁻⁸	0.002	0.43
PSG0.5-29DL	0.117 - 0.059	6.75 x 10 ⁻⁸	0.002	0.33	PSG0.5-29PK	0.117 - 0.059	7.13 x 10 ⁻⁸	0.003	0.45
PSG0.5-30DL	0.117 - 0.059	7.19 x 10 ⁻⁸	0.003	0.35	PSG0.5-30PK	0.117 - 0.059	7.60 x 10 ⁻⁸	0.003	0.47
PSG0.5-32DL	0.117 - 0.059	8.21 x 10 ⁻⁸	0.003	0.37	PSG0.5-32PK	0.117 - 0.059	8.68 x 10 ⁻⁸	0.003	0.51
PSG0.5-35DL	0.117 - 0.059	1.02 x 10 ⁻⁷	0.003	0.42	PSG0.5-35PK	0.117 - 0.059	1.07 x 10 ⁻⁷	0.003	0.57
PSG0.5-38DL	0.118 - 0.058	2.03 x 10 ⁻⁷	0.005	0.46	PSG0.5-38PK	0.118 - 0.058	2.14 x 10 ⁻⁷	0.005	0.63
PSG0.5-40DL	0.118 - 0.058	2.23 x 10 ⁻⁷	0.005	0.50	PSG0.5-40PK	0.118 - 0.058	2.36 x 10 ⁻⁷	0.005	0.68
PSG0.5-42DL	0.118 - 0.058	2.47 x 10 ⁻⁷	0.005	0.53	PSG0.5-42PK	0.118 - 0.058	2.61 x 10 ⁻⁷	0.005	0.72
PSG0.5-45DL	0.118 - 0.058	2.89 x 10 ⁻⁷	0.005	0.57	PSG0.5-45PK	0.118 - 0.058	3.05 x 10 ⁻⁷	0.006	0.78
PSG0.5-48DL	0.118 - 0.058	3.41 x 10 ⁻⁷	0.006	0.62	PSG0.5-48PK	0.118 - 0.058	3.60 x 10 ⁻⁷	0.006	0.84
PSG0.5-50DL	0.118 - 0.058	3.81 x 10 ⁻⁷	0.006	0.65	PSG0.5-50PK	0.118 - 0.058	4.03 x 10 ⁻⁷	0.006	0.89
PSG0.5-52DL	0.133 - 0.069	4.27 x 10 ⁻⁷	0.006	0.68	PSG0.5-52PK	0.133 - 0.069	4.51 x 10 ⁻⁷	0.007	0.93
PSG0.5-55DL	0.133 - 0.069	5.06 x 10 ⁻⁷	0.007	0.73	PSG0.5-55PK	0.133 - 0.069	5.34 x 10 ⁻⁷	0.007	0.99
PSG0.5-58DL	0.133 - 0.069	5.98 x 10 ⁻⁷	0.007	0.78	PSG0.5-58PK	0.133 - 0.069	6.32 x 10 ⁻⁷	0.008	1.06
PSG0.5-60DL	0.133 - 0.069	6.69 x 10 ⁻⁷	0.008	0.81	PSG0.5-60PK	0.133 - 0.069	7.07 x 10 ⁻⁷	0.008	1.10
PSG0.5-62DL	0.135 - 0.068	8.47 x 10 ⁻⁷	0.009	0.84	PSG0.5-62PK	0.135 - 0.068	8.95 x 10 ⁻⁷	0.009	1.14
PSG0.5-65DL	0.135 - 0.068	9.79 x 10 ⁻⁷	0.009	0.88	PSG0.5-65PK	0.135 - 0.068	1.03 x 10 ⁻⁶	0.010	1.21
PSG0.5-68DL	0.135 - 0.068	1.13 x 10 ⁻⁶	0.010	0.93	PSG0.5-68PK	0.135 - 0.068	1.19 x 10 ⁻⁶	0.010	1.27
PSG0.5-70DL	0.135 - 0.068	1.24 x 10 ⁻⁶	0.010	0.96	PSG0.5-70PK	0.135 - 0.068	1.31 x 10 ⁻⁶	0.011	1.31
PSG0.5-72DL	0.135 - 0.068	1.37 x 10 ⁻⁶	0.010	0.99	PSG0.5-72PK	0.135 - 0.068	1.44 x 10 ⁻⁶	0.011	1.35
PSG0.5-75DL	0.135 - 0.068	1.57 x 10 ⁻⁶	0.011	1.04	PSG0.5-75PK	0.135 - 0.068	1.66 x 10 ⁻⁶	0.012	1.42
PSG0.5-78DL	0.135 - 0.068	1.80 x 10 ⁻⁶	0.012	1.09	PSG0.5-78PK	0.135 - 0.068	1.90 x 10 ⁻⁶	0.012	1.48
PSG0.5-80DL	0.135 - 0.068	2.29 x 10 ⁻⁶	0.015	1.12	PSG0.5-80PK	0.135 - 0.068	2.42 x 10 ⁻⁶	0.016	1.53
PSG0.5-82DL	0.135 - 0.068	2.47 x 10 ⁻⁶	0.015	1.15	PSG0.5-82PK	0.135 - 0.068	2.61 x 10 ⁻⁶	0.016	1.57
PSG0.5-85DL	0.135 - 0.068	2.77 x 10 ⁻⁶	0.016	1.20	PSG0.5-85PK	0.135 - 0.068	2.93 x 10 ⁻⁶	0.017	1.63
PSG0.5-90DL	0.135 - 0.068	3.35 x 10 ⁻⁶	0.017	1.28	PSG0.5-90PK	0.135 - 0.068	3.54 x 10 ⁻⁶	0.018	1.74
PSG0.5-95DL	0.135 - 0.068	4.03 x 10 ⁻⁶	0.018	1.36	PSG0.5-95PK	0.135 - 0.068	4.26 x 10 ⁻⁶	0.019	1.85
PSG0.5-100DL	0.135 - 0.068	5.40 x 10 ⁻⁶	0.022	1.43	PSG0.5-100PK	0.135 - 0.068	5.70 x 10 ⁻⁶	0.023	1.95
PSG0.5-105DL	0.151 - 0.072	6.32 x 10 ⁻⁶	0.024	1.51	PSG0.5-105PK	0.151 - 0.072	6.68 x 10 ⁻⁶	0.025	2.06
PSG0.5-110DL	0.151 - 0.072	7.39 x 10 ⁻⁶	0.025	1.59	PSG0.5-110PK	0.151 - 0.072	7.81 x 10 ⁻⁶	0.026	2.16
PSG0.5-115DL	0.151 - 0.072	8.62 x 10 ⁻⁶	0.027	1.66	PSG0.5-115PK	0.151 - 0.072	9.11 x 10 ⁻⁶	0.028	2.27
PSG0.5-120DL	0.151 - 0.072	1.10 x 10 ⁻⁵	0.032	1.74	PSG0.5-120PK	0.151 - 0.072	1.16 x 10 ⁻⁵	0.034	2.38
PSG0.5-130DL	0.151 - 0.072	1.43 x 10 ⁻⁵	0.035	1.90	PSG0.5-130PK	0.151 - 0.072	1.52 x 10 ⁻⁵	0.037	2.59
PSG0.5-140DL	0.151 - 0.072	1.86 x 10 ⁻⁵	0.039	2.06	PSG0.5-140PK	0.151 - 0.072	1.96 x 10 ⁻⁵	0.041	2.81
PSG0.5-150DL	0.151 - 0.072	2.53 x 10 ⁻⁵	0.047	2.22	PSG0.5-150PK	0.151 - 0.072	2.67 x 10 ⁻⁵	0.050	3.02
PSG0.5-160DL	0.151 - 0.072	3.17 x 10 ⁻⁵	0.051	2.38	PSG0.5-160PK	0.151 - 0.072	3.35 x 10 ⁻⁵	0.054	3.24
PSG0.5-170DL	0.153 - 0.070	3.95 x 10 ⁻⁵	0.056	2.54	PSG0.5-170PK	0.153 - 0.070	4.17 x 10 ⁻⁵	0.059	3.46
PSG0.5-180DL	0.153 - 0.070	5.38 x 10 ⁻⁵	0.069	2.70	PSG0.5-180PK	0.153 - 0.070	5.68 x 10 ⁻⁵	0.073	3.68
PSG0.5-190DL	0.153 - 0.070	6.47 x 10 ⁻⁵	0.074	2.86	PSG0.5-190PK	0.153 - 0.070	6.84 x 10 ⁻⁵	0.078	3.90
PSG0.5-200DL	0.153 - 0.070	7.75 x 10 ⁻⁵	0.080	3.02	PSG0.5-200PK	0.153 - 0.070	8.19 x 10 ⁻⁵	0.084	4.12
PSG0.5-210DL	0.194 - 0.096	9.24 x 10 ⁻⁵	0.085	3.19	PSG0.5-210PK	0.194 - 0.096	9.76 x 10 ⁻⁵	0.090	4.35
PSG0.5-220DL	0.194 - 0.096	1.19 x 10 ⁻⁴	0.102	3.35	PSG0.5-220PK	0.194 - 0.096	1.25 x 10 ⁻⁴	0.108	4.57
PSG0.5-230DL	0.194 - 0.096	1.38 x 10 ⁻⁴	0.109	3.51	PSG0.5-230PK	0.194 - 0.096	1.46 x 10 ⁻⁴	0.115	4.78
PSG0.5-240DL	0.194 - 0.096	1.61 x 10 ⁻⁴	0.115	3.67	PSG0.5-240PK	0.194 - 0.096	1.70 x 10 ⁻⁴	0.122	5.00
PSG0.5-250DL	0.195 - 0.094	1.86 x 10 ⁻⁴	0.122	3.83	PSG0.5-250PK	0.195 - 0.094	1.97 x 10 ⁻⁴	0.129	5.22

PSG-DL
PSG-PK
0.8m_n

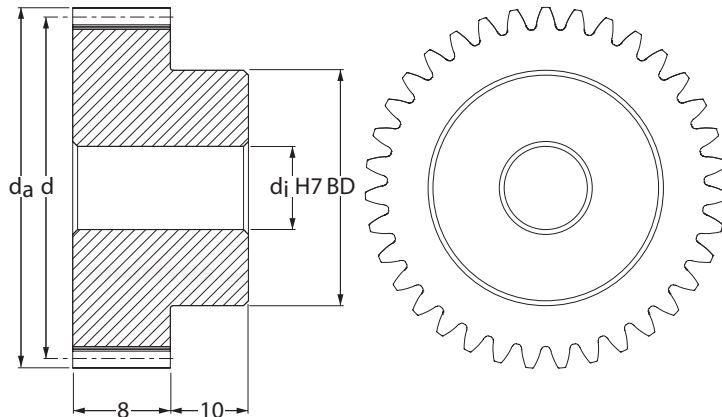
PRECISION GEARS

0.8 Module Plastic Spur Gear α 20° PA

Quality Grade 8e DIN 3961/58405 (AGMA Q9)



DIN 58405 Tooth Thickness tol.



Part Number		No. of Teeth <i>z</i>	Ref. Dia. <i>d</i>	Tip Dia. <i>d_a</i>	Bore H7 <i>d_j</i>	Max. Bore H7 <i>d_j</i>	Hub Dia. <i>BD</i>
Delrin POM	PEEK GF30°						
PSG0.8-18DL	PSG0.8-18PK	18	14.4	16.0	5	6	11
PSG0.8-19DL	PSG0.8-19PK	19	15.2	16.8	5	6	11
PSG0.8-20DL	PSG0.8-20PK	20	16.0	17.6	5	6	11
PSG0.8-21DL	PSG0.8-21PK	21	16.8	18.4	5	6	12
PSG0.8-22DL	PSG0.8-22PK	22	17.6	19.2	5	6	12
PSG0.8-23DL	PSG0.8-23PK	23	18.4	20.0	5	6	12
PSG0.8-24DL	PSG0.8-24PK	24	19.2	20.8	6	8	14
PSG0.8-25DL	PSG0.8-25PK	25	20.0	21.6	6	8	14
PSG0.8-26DL	PSG0.8-26PK	26	20.8	22.4	6	8	14
PSG0.8-27DL	PSG0.8-27PK	27	21.6	23.2	6	8	14
PSG0.8-28DL	PSG0.8-28PK	28	22.4	24.0	8	10	18
PSG0.8-29DL	PSG0.8-29PK	29	23.2	24.8	8	10	18
PSG0.8-30DL	PSG0.8-30PK	30	24.0	25.6	8	10	18
PSG0.8-32DL	PSG0.8-32PK	32	25.6	27.2	8	10	18
PSG0.8-35DL	PSG0.8-35PK	35	28.0	29.6	10	12	20
PSG0.8-38DL	PSG0.8-38PK	38	30.4	32.0	10	12	20
PSG0.8-40DL	PSG0.8-40PK	40	32.0	33.6	10	12	20
PSG0.8-42DL	PSG0.8-42PK	42	33.6	35.2	10	12	20
PSG0.8-45DL	PSG0.8-45PK	45	36.0	37.6	10	12	20
PSG0.8-48DL	PSG0.8-48PK	48	38.4	40.0	10	18	30
PSG0.8-50DL	PSG0.8-50PK	50	40.0	41.6	10	18	30
PSG0.8-52DL	PSG0.8-52PK	52	41.6	43.2	10	18	30
PSG0.8-55DL	PSG0.8-55PK	55	44.0	45.6	10	18	30
PSG0.8-58DL	PSG0.8-58PK	58	46.4	48.0	10	18	30
PSG0.8-60DL	PSG0.8-60PK	60	48.0	49.6	10	25	40
PSG0.8-62DL	PSG0.8-62PK	62	49.6	51.2	10	25	40
PSG0.8-65DL	PSG0.8-65PK	65	52.0	53.6	10	25	40
PSG0.8-68DL	PSG0.8-68PK	68	54.4	56.0	10	25	40
PSG0.8-70DL	PSG0.8-70PK	70	56.0	57.6	10	25	40
PSG0.8-72DL	PSG0.8-72PK	72	57.6	59.2	10	25	40
PSG0.8-75DL	PSG0.8-75PK	75	60.0	61.6	10	30	50
PSG0.8-78DL	PSG0.8-78PK	78	62.4	64.0	10	30	50
PSG0.8-80DL	PSG0.8-80PK	80	64.0	65.6	10	30	50
PSG0.8-82DL	PSG0.8-82PK	82	65.6	67.2	10	30	50
PSG0.8-85DL	PSG0.8-85PK	85	68.0	69.6	10	30	50
PSG0.8-90DL	PSG0.8-90PK	90	72.0	73.6	10	40	65
PSG0.8-95DL	PSG0.8-95PK	95	76.0	77.6	10	40	65
PSG0.8-100DL	PSG0.8-100PK	100	80.0	81.6	14	40	65
PSG0.8-110DL	PSG0.8-110PK	110	88.0	89.6	14	40	70
PSG0.8-120DL	PSG0.8-120PK	120	96.0	97.6	14	40	70

PSG-DL
PSG-PK
0.8m_n

PRECISION GEARS

0.8 Module Plastic Spur Gear α 20° PA

Quality Grade 8e DIN 3961/58405 (AGMA Q9)

Standard Part **PSG** **0.8** **50** **DL**

Modified Part **PSG** **0.8** **50** **PK** **12** **K** **T**

PSG - Precision Spur Gear
Quality Grade 7e DIN 3961/58405
Other Quality Grades available.
See Technical

m_n Module - Cut with DIN 867 1.25/0.20/1.0
Ref. Tooth Profile Topping WD = 2.25 x m_n

Number of Teeth **z**

DL = Delrin POM (White)
PK = PEEK GF30® (Light Brown)

T = 1 x Tapped hole **2T** = 2 x Tapped holes
P = 1 x Pin Hole **PT** = 1 x Pin Hole through
All threads metric as standard.
See Technical

K - Keyway supplied to
DIN 6885 - Js9 tolerance.
See Technical

To specify different bore enter size required
Example: 12 = 12mm H7 etc
See Technical

η_z Meshing Efficiency approx. 98%

Part Number Delrin POM	Backlash (mm) j _{t,e} (max) j _{t,i} (min)	Inertia kgm ²	Mass kg	Torque T ₂ Nm n ₂ 100 Rpm	Part Number PEEK GF30®	Backlash (mm) j _{t,e} (max) j _{t,i} (min)	Inertia kgm ²	Mass kg	Torque T ₂ Nm n ₂ 100 Rpm
PSG0.8-18DL	0.132 - 0.070	6.81 x 10 ⁻⁸	0.003	0.59	PSG0.8-18PK	0.132 - 0.070	7.20 x 10 ⁻⁸	0.003	0.70
PSG0.8-19DL	0.132 - 0.070	7.96 x 10 ⁻⁸	0.003	0.64	PSG0.8-19PK	0.132 - 0.070	8.41 x 10 ⁻⁸	0.003	0.78
PSG0.8-20DL	0.132 - 0.070	9.31 x 10 ⁻⁸	0.003	0.69	PSG0.8-20PK	0.132 - 0.070	9.84 x 10 ⁻⁸	0.003	0.88
PSG0.8-21DL	0.132 - 0.070	1.17 x 10 ⁻⁷	0.004	0.74	PSG0.8-21PK	0.132 - 0.070	1.24 x 10 ⁻⁷	0.004	0.98
PSG0.8-22DL	0.132 - 0.070	1.35 x 10 ⁻⁷	0.004	0.79	PSG0.8-22PK	0.132 - 0.070	1.43 x 10 ⁻⁷	0.004	1.08
PSG0.8-23DL	0.133 - 0.069	1.56 x 10 ⁻⁷	0.004	0.84	PSG0.8-23PK	0.133 - 0.069	1.65 x 10 ⁻⁷	0.004	1.15
PSG0.8-24DL	0.133 - 0.069	2.02 x 10 ⁻⁷	0.005	0.89	PSG0.8-24PK	0.133 - 0.069	2.14 x 10 ⁻⁷	0.005	1.22
PSG0.8-25DL	0.133 - 0.069	2.29 x 10 ⁻⁷	0.005	0.95	PSG0.8-25PK	0.133 - 0.069	2.42 x 10 ⁻⁷	0.005	1.29
PSG0.8-26DL	0.133 - 0.069	2.59 x 10 ⁻⁷	0.005	1.00	PSG0.8-26PK	0.133 - 0.069	2.73 x 10 ⁻⁷	0.006	1.36
PSG0.8-27DL	0.133 - 0.069	2.92 x 10 ⁻⁷	0.006	1.05	PSG0.8-27PK	0.133 - 0.069	3.09 x 10 ⁻⁷	0.006	1.43
PSG0.8-28DL	0.133 - 0.069	4.15 x 10 ⁻⁷	0.007	1.10	PSG0.8-28PK	0.133 - 0.069	4.38 x 10 ⁻⁷	0.007	1.50
PSG0.8-29DL	0.133 - 0.069	4.56 x 10 ⁻⁷	0.007	1.16	PSG0.8-29PK	0.133 - 0.069	4.82 x 10 ⁻⁷	0.007	1.58
PSG0.8-30DL	0.133 - 0.069	5.03 x 10 ⁻⁷	0.007	1.21	PSG0.8-30PK	0.133 - 0.069	5.31 x 10 ⁻⁷	0.008	1.65
PSG0.8-32DL	0.148 - 0.075	6.10 x 10 ⁻⁷	0.008	1.31	PSG0.8-32PK	0.148 - 0.075	6.45 x 10 ⁻⁷	0.009	1.79
PSG0.8-35DL	0.148 - 0.075	8.75 x 10 ⁻⁷	0.009	1.47	PSG0.8-35PK	0.148 - 0.075	9.24 x 10 ⁻⁷	0.010	2.00
PSG0.8-38DL	0.150 - 0.074	1.14 x 10 ⁻⁶	0.011	1.63	PSG0.8-38PK	0.150 - 0.074	1.20 x 10 ⁻⁶	0.011	2.22
PSG0.8-40DL	0.150 - 0.074	1.35 x 10 ⁻⁶	0.011	1.74	PSG0.8-40PK	0.150 - 0.074	1.43 x 10 ⁻⁶	0.012	2.37
PSG0.8-42DL	0.150 - 0.074	1.60 x 10 ⁻⁶	0.012	1.84	PSG0.8-42PK	0.150 - 0.074	1.69 x 10 ⁻⁶	0.013	2.51
PSG0.8-45DL	0.150 - 0.074	2.04 x 10 ⁻⁶	0.014	2.01	PSG0.8-45PK	0.150 - 0.074	2.16 x 10 ⁻⁶	0.015	2.73
PSG0.8-48DL	0.150 - 0.074	3.49 x 10 ⁻⁶	0.021	2.17	PSG0.8-48PK	0.150 - 0.074	3.68 x 10 ⁻⁶	0.022	2.96
PSG0.8-50DL	0.150 - 0.074	3.91 x 10 ⁻⁶	0.022	2.28	PSG0.8-50PK	0.150 - 0.074	4.13 x 10 ⁻⁶	0.023	3.11
PSG0.8-52DL	0.150 - 0.074	4.39 x 10 ⁻⁶	0.023	2.39	PSG0.8-52PK	0.150 - 0.074	4.64 x 10 ⁻⁶	0.025	3.26
PSG0.8-55DL	0.150 - 0.074	5.21 x 10 ⁻⁶	0.025	2.55	PSG0.8-55PK	0.150 - 0.074	5.51 x 10 ⁻⁶	0.026	3.48
PSG0.8-58DL	0.150 - 0.074	6.19 x 10 ⁻⁶	0.027	2.72	PSG0.8-58PK	0.150 - 0.074	6.54 x 10 ⁻⁶	0.028	3.71
PSG0.8-60DL	0.150 - 0.074	9.35 x 10 ⁻⁶	0.036	2.83	PSG0.8-60PK	0.150 - 0.074	9.88 x 10 ⁻⁶	0.038	3.86
PSG0.8-62DL	0.150 - 0.074	1.02 x 10 ⁻⁵	0.037	2.94	PSG0.8-62PK	0.150 - 0.074	1.07 x 10 ⁻⁵	0.039	4.01
PSG0.8-65DL	0.171 - 0.085	1.15 x 10 ⁻⁵	0.040	3.10	PSG0.8-65PK	0.171 - 0.085	1.22 x 10 ⁻⁵	0.042	4.22
PSG0.8-68DL	0.171 - 0.085	1.31 x 10 ⁻⁵	0.042	3.26	PSG0.8-68PK	0.171 - 0.085	1.39 x 10 ⁻⁵	0.044	4.45
PSG0.8-70DL	0.171 - 0.085	1.43 x 10 ⁻⁵	0.043	3.37	PSG0.8-70PK	0.171 - 0.085	1.51 x 10 ⁻⁵	0.046	4.59
PSG0.8-72DL	0.171 - 0.085	1.56 x 10 ⁻⁵	0.045	3.48	PSG0.8-72PK	0.171 - 0.085	1.65 x 10 ⁻⁵	0.047	4.74
PSG0.8-75DL	0.171 - 0.085	2.29 x 10 ⁻⁵	0.057	3.64	PSG0.8-75PK	0.171 - 0.085	2.42 x 10 ⁻⁵	0.061	4.97
PSG0.8-78DL	0.171 - 0.085	2.53 x 10 ⁻⁵	0.060	3.81	PSG0.8-78PK	0.171 - 0.085	2.67 x 10 ⁻⁵	0.063	5.19
PSG0.8-80DL	0.171 - 0.085	2.71 x 10 ⁻⁵	0.062	3.92	PSG0.8-80PK	0.171 - 0.085	2.86 x 10 ⁻⁵	0.065	5.35
PSG0.8-82DL	0.171 - 0.085	2.90 x 10 ⁻⁵	0.064	4.03	PSG0.8-82PK	0.171 - 0.085	3.06 x 10 ⁻⁵	0.067	5.50
PSG0.8-85DL	0.171 - 0.085	3.21 x 10 ⁻⁵	0.066	4.20	PSG0.8-85PK	0.171 - 0.085	3.39 x 10 ⁻⁵	0.070	5.72
PSG0.8-90DL	0.171 - 0.085	5.42 x 10 ⁻⁵	0.090	4.47	PSG0.8-90PK	0.171 - 0.085	5.73 x 10 ⁻⁵	0.096	6.10
PSG0.8-95DL	0.171 - 0.085	6.14 x 10 ⁻⁵	0.096	4.75	PSG0.8-95PK	0.171 - 0.085	6.48 x 10 ⁻⁵	0.101	6.48
PSG0.8-100DL	0.171 - 0.085	6.97 x 10 ⁻⁵	0.099	5.02	PSG0.8-100PK	0.171 - 0.085	7.36 x 10 ⁻⁵	0.105	6.85
PSG0.8-110DL	0.172 - 0.083	9.91 x 10 ⁻⁵	0.119	5.56	PSG0.8-110PK	0.172 - 0.083	1.05 x 10 ⁻⁴	0.125	7.59
PSG0.8-120DL	0.172 - 0.083	1.27 x 10 ⁻⁴	0.132	6.11	PSG0.8-120PK	0.172 - 0.083	1.34 x 10 ⁻⁴	0.139	8.33

PSG-DL
PSG-PK
1.0m_n

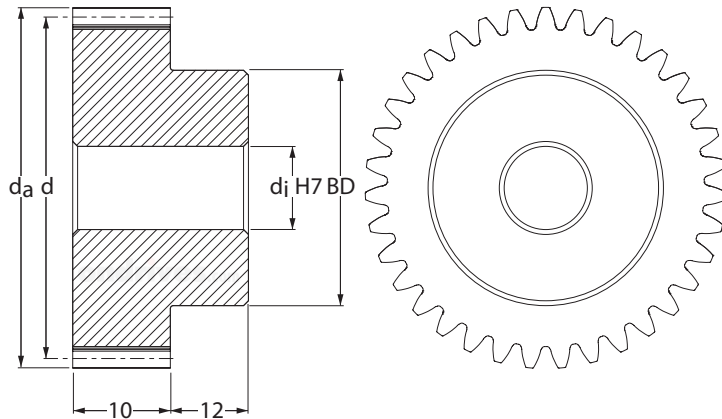
PRECISION GEARS

1.0 Module Plastic Spur Gear α 20° PA

Quality Grade 8e25 DIN 3961/3967 (AGMA Q9)



DIN 3967 Tooth Thickness tol.



Part Number		No. of Teeth <i>z</i>	Ref. Dia. <i>d</i>	Tip Dia. <i>d_a</i>	Bore H7 <i>d_j</i>	Max. Bore H7 <i>d_j</i>	Hub Dia. <i>BD</i>
Delrin POM	PEEK GF30°						
PSG1.0-15DL	PSG1.0-15PK	15	15	17	5	5	12
PSG1.0-16DL	PSG1.0-16PK	16	16	18	5	5	12
PSG1.0-17DL	PSG1.0-17PK	17	17	19	5	5	12
PSG1.0-18DL	PSG1.0-18PK	18	18	20	5	8	15
PSG1.0-19DL	PSG1.0-19PK	19	19	21	5	8	15
PSG1.0-20DL	PSG1.0-20PK	20	20	22	5	8	15
PSG1.0-21DL	PSG1.0-21PK	21	21	23	5	8	15
PSG1.0-22DL	PSG1.0-22PK	22	22	24	5	8	15
PSG1.0-23DL	PSG1.0-23PK	23	23	25	5	8	15
PSG1.0-24DL	PSG1.0-24PK	24	24	26	6	10	20
PSG1.0-25DL	PSG1.0-25PK	25	25	27	6	10	20
PSG1.0-26DL	PSG1.0-26PK	26	26	28	6	10	20
PSG1.0-27DL	PSG1.0-27PK	27	27	29	6	10	20
PSG1.0-28DL	PSG1.0-28PK	28	28	30	6	10	20
PSG1.0-29DL	PSG1.0-29PK	29	29	31	8	12	25
PSG1.0-30DL	PSG1.0-30PK	30	30	32	8	12	25
PSG1.0-32DL	PSG1.0-32PK	32	32	34	8	12	25
PSG1.0-35DL	PSG1.0-35PK	35	35	37	8	12	25
PSG1.0-38DL	PSG1.0-38PK	38	38	40	10	18	34
PSG1.0-40DL	PSG1.0-40PK	40	40	42	10	18	34
PSG1.0-42DL	PSG1.0-42PK	42	42	44	10	18	34
PSG1.0-45DL	PSG1.0-45PK	45	45	47	10	18	34
PSG1.0-48DL	PSG1.0-48PK	48	48	50	10	18	34
PSG1.0-50DL	PSG1.0-50PK	50	50	52	10	18	34
PSG1.0-52DL	PSG1.0-52PK	52	52	54	10	22	40
PSG1.0-55DL	PSG1.0-55PK	55	55	57	10	22	40
PSG1.0-58DL	PSG1.0-58PK	58	58	60	10	22	40
PSG1.0-60DL	PSG1.0-60PK	60	60	62	10	22	40
PSG1.0-62DL	PSG1.0-62PK	62	62	64	10	22	40
PSG1.0-65DL	PSG1.0-65PK	65	65	67	10	28	50
PSG1.0-68DL	PSG1.0-68PK	68	68	70	10	28	50
PSG1.0-70DL	PSG1.0-70PK	70	70	72	10	28	50
PSG1.0-72DL	PSG1.0-72PK	72	72	74	10	28	50
PSG1.0-75DL	PSG1.0-75PK	75	75	77	10	28	50
PSG1.0-78DL	PSG1.0-78PK	78	78	80	10	35	60
PSG1.0-80DL	PSG1.0-80PK	80	80	82	10	35	60
PSG1.0-82DL	PSG1.0-82PK	82	82	84	10	35	60
PSG1.0-85DL	PSG1.0-85PK	85	85	87	10	35	60
PSG1.0-90DL	PSG1.0-90PK	90	90	92	10	35	60
PSG1.0-95DL	PSG1.0-95PK	95	95	97	10	35	60
PSG1.0-100DL	PSG1.0-100PK	100	100	102	14	40	70
PSG1.0-105DL	PSG1.0-105PK	105	105	107	14	40	70
PSG1.0-110DL	PSG1.0-110PK	110	110	112	14	40	70
PSG1.0-115DL	PSG1.0-115PK	115	115	117	14	40	70
PSG1.0-120DL	PSG1.0-120PK	120	120	122	14	40	70

PSG-DL
PSG-PK
1.0m_n

PRECISION GEARS

1.0 Module Plastic Spur Gear α 20° PA

Quality Grade 8e25 DIN 3961/3967 (AGMA Q9)

Standard Part **PSG** **1.0** **50** **DL**

Modified Part **PSG** **1.0** **50** **PK** **12** **K** **T**

PSG - Precision Spur Gear
Quality Grade 7e DIN 3961/3967
Other Quality Grades available.
See Technical

m_n Module - Cut with DIN 867 1.25/0.20/1.0
Ref. Tooth Profile Topping WD = 2.25 x m_n

Number of Teeth **z**

DL = Delrin POM (White)
PK = PEEK GF30® (Light Brown)

T = 1 x Tapped hole **2T** = 2 x Tapped holes
P = 1 x Pin Hole **PT** = 1 x Pin Hole through
All threads metric as standard.
See Technical

K - Keyway supplied to
DIN 6885 - Js9 tolerance.
See Technical

To specify different bore enter size required
Example: 12 = 12mm H7 etc
See Technical

η_z Meshing Efficiency approx. 98%

Part Number Delrin POM	Backlash (mm) j _{t,e} (max) j _{t,i} (min)	Inertia kgm ²	Mass kg	Torque T ₂ Nm n ₂ 100 Rpm	Part Number PEEK GF30®	Backlash (mm) j _{t,e} (max) j _{t,i} (min)	Inertia kgm ²	Mass kg	Torque T ₂ Nm n ₂ 100 Rpm
PSG1.0-15DL	0.127 - 0.053	1.07 x 10 ⁻⁷	0.004	0.62	PSG1.0-15PK	0.127 - 0.053	1.13 x 10 ⁻⁷	0.004	0.70
PSG1.0-16DL	0.127 - 0.053	1.28 x 10 ⁻⁷	0.004	0.71	PSG1.0-16PK	0.127 - 0.053	1.35 x 10 ⁻⁷	0.004	0.80
PSG1.0-17DL	0.127 - 0.053	1.53 x 10 ⁻⁷	0.004	0.81	PSG1.0-17PK	0.127 - 0.053	1.62 x 10 ⁻⁷	0.005	0.92
PSG1.0-18DL	0.127 - 0.053	2.33 x 10 ⁻⁷	0.006	0.92	PSG1.0-18PK	0.127 - 0.053	2.46 x 10 ⁻⁷	0.006	1.04
PSG1.0-19DL	0.128 - 0.052	2.68 x 10 ⁻⁷	0.006	1.03	PSG1.0-19PK	0.128 - 0.052	2.83 x 10 ⁻⁷	0.007	1.17
PSG1.0-20DL	0.128 - 0.052	3.09 x 10 ⁻⁷	0.007	1.16	PSG1.0-20PK	0.128 - 0.052	3.27 x 10 ⁻⁷	0.007	1.31
PSG1.0-21DL	0.128 - 0.052	3.57 x 10 ⁻⁷	0.007	1.29	PSG1.0-21PK	0.128 - 0.052	3.77 x 10 ⁻⁷	0.008	1.46
PSG1.0-22DL	0.128 - 0.052	4.12 x 10 ⁻⁷	0.008	1.43	PSG1.0-22PK	0.128 - 0.052	4.35 x 10 ⁻⁷	0.008	1.61
PSG1.0-23DL	0.128 - 0.052	4.75 x 10 ⁻⁷	0.008	1.54	PSG1.0-23PK	0.128 - 0.052	5.02 x 10 ⁻⁷	0.009	1.78
PSG1.0-24DL	0.128 - 0.052	7.26 x 10 ⁻⁷	0.011	1.63	PSG1.0-24PK	0.128 - 0.052	7.67 x 10 ⁻⁷	0.011	1.96
PSG1.0-25DL	0.128 - 0.052	8.07 x 10 ⁻⁷	0.011	1.73	PSG1.0-25PK	0.128 - 0.052	8.53 x 10 ⁻⁷	0.012	2.15
PSG1.0-26DL	0.128 - 0.052	8.98 x 10 ⁻⁷	0.012	1.83	PSG1.0-26PK	0.128 - 0.052	9.49 x 10 ⁻⁷	0.013	2.34
PSG1.0-27DL	0.128 - 0.052	1.00 x 10 ⁻⁶	0.012	1.92	PSG1.0-27PK	0.128 - 0.052	1.06 x 10 ⁻⁶	0.013	2.55
PSG1.0-28DL	0.128 - 0.052	1.12 x 10 ⁻⁶	0.013	2.02	PSG1.0-28PK	0.128 - 0.052	1.18 x 10 ⁻⁶	0.014	2.75
PSG1.0-29DL	0.128 - 0.052	1.62 x 10 ⁻⁶	0.016	2.11	PSG1.0-29PK	0.128 - 0.052	1.71 x 10 ⁻⁶	0.017	2.88
PSG1.0-30DL	0.128 - 0.052	1.76 x 10 ⁻⁶	0.017	2.21	PSG1.0-30PK	0.128 - 0.052	1.86 x 10 ⁻⁶	0.018	3.02
PSG1.0-32DL	0.129 - 0.051	2.09 x 10 ⁻⁶	0.018	2.40	PSG1.0-32PK	0.129 - 0.051	2.20 x 10 ⁻⁶	0.019	3.27
PSG1.0-35DL	0.129 - 0.051	2.71 x 10 ⁻⁶	0.020	2.68	PSG1.0-35PK	0.129 - 0.051	2.86 x 10 ⁻⁶	0.021	3.66
PSG1.0-38DL	0.129 - 0.051	5.06 x 10 ⁻⁶	0.029	2.98	PSG1.0-38PK	0.129 - 0.051	5.35 x 10 ⁻⁶	0.030	4.06
PSG1.0-40DL	0.129 - 0.051	5.71 x 10 ⁻⁶	0.030	3.18	PSG1.0-40PK	0.129 - 0.051	6.04 x 10 ⁻⁶	0.032	4.33
PSG1.0-42DL	0.129 - 0.051	6.47 x 10 ⁻⁶	0.032	3.37	PSG1.0-42PK	0.129 - 0.051	6.84 x 10 ⁻⁶	0.034	4.59
PSG1.0-45DL	0.129 - 0.051	7.82 x 10 ⁻⁶	0.035	3.66	PSG1.0-45PK	0.129 - 0.051	8.27 x 10 ⁻⁶	0.037	4.99
PSG1.0-48DL	0.129 - 0.051	9.48 x 10 ⁻⁶	0.038	3.96	PSG1.0-48PK	0.129 - 0.051	1.00 x 10 ⁻⁵	0.040	5.40
PSG1.0-50DL	0.129 - 0.051	1.08 x 10 ⁻⁵	0.040	4.17	PSG1.0-50PK	0.129 - 0.051	1.14 x 10 ⁻⁵	0.043	5.68
PSG1.0-52DL	0.171 - 0.069	1.43 x 10 ⁻⁵	0.049	4.36	PSG1.0-52PK	0.171 - 0.069	1.51 x 10 ⁻⁵	0.051	5.95
PSG1.0-55DL	0.171 - 0.069	1.68 x 10 ⁻⁵	0.052	4.66	PSG1.0-55PK	0.171 - 0.069	1.77 x 10 ⁻⁵	0.055	6.36
PSG1.0-58DL	0.171 - 0.069	1.98 x 10 ⁻⁵	0.056	4.97	PSG1.0-58PK	0.171 - 0.069	2.09 x 10 ⁻⁵	0.059	6.77
PSG1.0-60DL	0.171 - 0.069	2.20 x 10 ⁻⁵	0.058	5.17	PSG1.0-60PK	0.171 - 0.069	2.33 x 10 ⁻⁵	0.062	7.05
PSG1.0-62DL	0.171 - 0.069	2.45 x 10 ⁻⁵	0.061	5.36	PSG1.0-62PK	0.171 - 0.069	2.59 x 10 ⁻⁵	0.065	7.31
PSG1.0-65DL	0.171 - 0.069	3.49 x 10 ⁻⁵	0.077	4.38	PSG1.0-65PK	0.171 - 0.069	3.68 x 10 ⁻⁵	0.082	5.98
PSG1.0-68DL	0.171 - 0.069	3.97 x 10 ⁻⁵	0.082	4.60	PSG1.0-68PK	0.171 - 0.069	4.20 x 10 ⁻⁵	0.086	6.27
PSG1.0-70DL	0.171 - 0.069	4.33 x 10 ⁻⁵	0.085	4.74	PSG1.0-70PK	0.171 - 0.069	4.58 x 10 ⁻⁵	0.090	6.46
PSG1.0-72DL	0.171 - 0.069	4.73 x 10 ⁻⁵	0.088	6.35	PSG1.0-72PK	0.171 - 0.069	4.99 x 10 ⁻⁵	0.093	8.66
PSG1.0-75DL	0.171 - 0.069	5.38 x 10 ⁻⁵	0.093	6.65	PSG1.0-75PK	0.171 - 0.069	5.69 x 10 ⁻⁵	0.098	9.07
PSG1.0-78DL	0.171 - 0.069	7.23 x 10 ⁻⁵	0.112	6.96	PSG1.0-78PK	0.171 - 0.069	7.64 x 10 ⁻⁵	0.119	9.49
PSG1.0-80DL	0.171 - 0.069	7.78 x 10 ⁻⁵	0.116	7.16	PSG1.0-80PK	0.171 - 0.069	8.22 x 10 ⁻⁵	0.122	9.76
PSG1.0-82DL	0.173 - 0.067	8.36 x 10 ⁻⁵	0.119	7.37	PSG1.0-82PK	0.173 - 0.067	8.83 x 10 ⁻⁵	0.126	10.05
PSG1.0-85DL	0.173 - 0.067	9.32 x 10 ⁻⁵	0.125	7.67	PSG1.0-85PK	0.173 - 0.067	9.85 x 10 ⁻⁵	0.132	10.45
PSG1.0-90DL	0.173 - 0.067	1.12 x 10 ⁻⁴	0.135	8.17	PSG1.0-90PK	0.173 - 0.067	1.18 x 10 ⁻⁴	0.142	11.14
PSG1.0-95DL	0.173 - 0.067	1.33 x 10 ⁻⁴	0.145	8.67	PSG1.0-95PK	0.173 - 0.067	1.41 x 10 ⁻⁴	0.153	11.83
PSG1.0-100DL	0.173 - 0.067	1.77 x 10 ⁻⁴	0.171	9.17	PSG1.0-100PK	0.173 - 0.067	1.87 x 10 ⁻⁴	0.180	12.50
PSG1.0-105DL	0.173 - 0.067	2.07 x 10 ⁻⁴	0.182	9.66	PSG1.0-105PK	0.173 - 0.067	2.19 x 10 ⁻⁴	0.192	13.18
PSG1.0-110DL	0.173 - 0.067	2.41 x 10 ⁻⁴	0.194	10.16	PSG1.0-110PK	0.173 - 0.067	2.55 x 10 ⁻⁴	0.205	13.86
PSG1.0-115DL	0.173 - 0.067	2.80 x 10 ⁻⁴	0.206	10.66	PSG1.0-115PK	0.173 - 0.067	2.96 x 10 ⁻⁴	0.218	14.53
PSG1.0-120DL	0.173 - 0.067	3.25 x 10 ⁻⁴	0.219	11.16	PSG1.0-120PK	0.173 - 0.067	3.43 x 10 ⁻⁴	0.232	15.21

PSG-DL
PSG-PK
1.25m_n

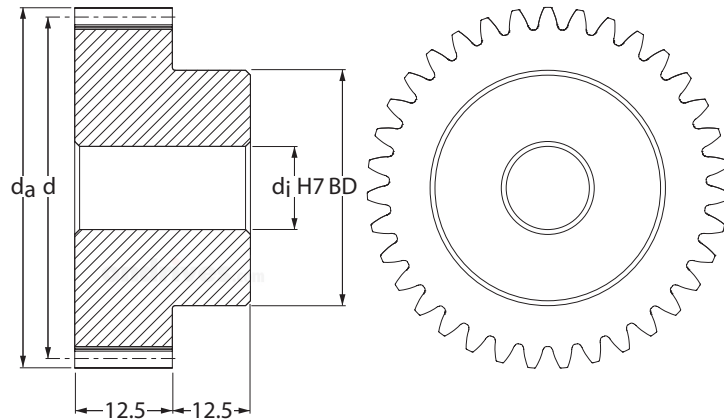
PRECISION GEARS

1.25 Module Plastic Spur Gear α 20° PA

Quality Grade 8e25 DIN 3961/3967 (AGMA Q9)



DIN 3967 Tooth Thickness tol.



Part Number		No. of Teeth <i>z</i>	Ref. Dia. <i>d</i>	Tip Dia. <i>d_a</i>	Bore H7 <i>d_j</i>	Max. Bore H7 <i>d_j</i>	Hub Dia. <i>BD</i>
Delrin POM	PEEK GF30°						
PSG1.25-18DL	PSG1.25-18PK	18	22.50	25.00	6	8	15
PSG1.25-19DL	PSG1.25-19PK	19	23.75	26.25	6	8	15
PSG1.25-20DL	PSG1.25-20PK	20	25.00	27.50	6	8	15
PSG1.25-21DL	PSG1.25-21PK	21	26.25	28.75	8	12	20
PSG1.25-22DL	PSG1.25-22PK	22	27.50	30.00	8	12	20
PSG1.25-23DL	PSG1.25-23PK	23	28.75	31.25	8	12	20
PSG1.25-24DL	PSG1.25-24PK	24	30.00	32.50	8	12	22
PSG1.25-25DL	PSG1.25-25PK	25	31.25	33.75	8	12	22
PSG1.25-26DL	PSG1.25-26PK	26	32.50	35.00	8	12	22
PSG1.25-27DL	PSG1.25-27PK	27	33.75	36.25	8	12	22
PSG1.25-28DL	PSG1.25-28PK	28	35.00	37.50	8	15	25
PSG1.25-29DL	PSG1.25-29PK	29	36.25	38.75	8	15	25
PSG1.25-30DL	PSG1.25-30PK	30	37.50	40.00	8	15	25
PSG1.25-32DL	PSG1.25-32PK	32	40.00	42.50	8	15	25
PSG1.25-35DL	PSG1.25-35PK	35	43.75	46.25	10	18	30
PSG1.25-38DL	PSG1.25-38PK	38	47.50	50.00	10	18	30
PSG1.25-40DL	PSG1.25-40PK	40	50.00	52.50	10	18	30
PSG1.25-42DL	PSG1.25-42PK	42	52.50	55.00	10	18	30
PSG1.25-45DL	PSG1.25-45PK	45	56.25	58.75	10	18	30
PSG1.25-48DL	PSG1.25-48PK	48	60.00	62.50	10	25	40
PSG1.25-50DL	PSG1.25-50PK	50	62.50	65.00	10	25	40
PSG1.25-52DL	PSG1.25-52PK	52	65.00	67.50	10	25	40
PSG1.25-55DL	PSG1.25-55PK	55	68.75	71.25	10	25	40
PSG1.25-58DL	PSG1.25-58PK	58	72.50	75.00	10	25	40
PSG1.25-60DL	PSG1.25-60PK	60	75.00	77.50	10	30	50
PSG1.25-62DL	PSG1.25-62PK	62	77.50	80.00	10	30	50
PSG1.25-65DL	PSG1.25-65PK	65	81.25	83.75	10	30	50
PSG1.25-68DL	PSG1.25-68PK	68	85.00	87.50	10	30	50
PSG1.25-70DL	PSG1.25-70PK	70	87.50	90.00	10	30	50
PSG1.25-72DL	PSG1.25-72PK	72	90.00	92.50	10	30	50
PSG1.25-75DL	PSG1.25-75PK	75	93.75	96.25	10	35	60
PSG1.25-78DL	PSG1.25-78PK	78	97.50	100.00	10	35	60
PSG1.25-80DL	PSG1.25-80PK	80	100.00	102.50	10	35	60
PSG1.25-82DL	PSG1.25-82PK	82	102.50	105.00	10	35	60
PSG1.25-85DL	PSG1.25-85PK	85	106.25	108.75	10	35	60
PSG1.25-90DL	PSG1.25-90PK	90	112.50	115.00	10	40	65
PSG1.25-95DL	PSG1.25-95PK	95	118.75	121.25	10	40	65
PSG1.25-100DL	PSG1.25-100PK	100	125.00	127.50	14	40	65
PSG1.25-110DL	PSG1.25-110PK	110	137.50	140.00	14	40	70
PSG1.25-120DL	PSG1.25-120PK	120	150.00	152.50	14	40	70

PSG-DL
PSG-PK
1.25m_n

PRECISION GEARS

1.25 Module Plastic Spur Gear α 20° PA

Quality Grade 8e25 DIN 3961/3967 (AGMA Q9)

Standard Part **PSG** **1.25** **50** **DL**

Modified Part **PSG** **1.25** **50** **PK** **12** **K** **T**

PSG - Precision Spur Gear
Quality Grade 7e DIN 3961/3967
Other Quality Grades available.
See Technical

m_n Module - Cut with DIN 867 1.25/0.20/1.0
Ref. Tooth Profile Topping WD = 2.25 x m_n

Number of Teeth **z**

DL = Delrin POM (White)
PK = PEEK GF30° (Light Brown)

T = 1 x Tapped hole **2T** = 2 x Tapped holes
P = 1 x Pin Hole **PT** = 1 x Pin Hole through
All threads metric as standard.
See Technical

K - Keyway supplied to
DIN 6885 - Js9 tolerance.
See Technical

To specify different bore enter size required
Example: 12 = 12mm H7 etc
See Technical

η_z Meshing Efficiency approx. 98%

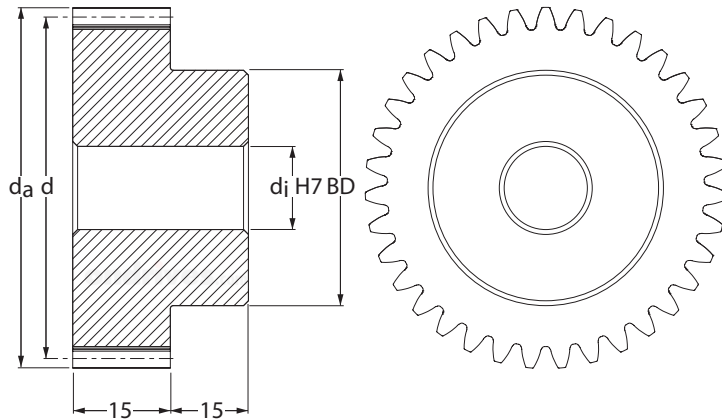
Part Number Delrin POM	Backlash (mm) j _{t,e} (max) j _{t,i} (min)	Inertia kgm ²	Mass kg	Torque T ₂ Nm n ₂ 100 Rpm	Part Number PEEK GF30°	Backlash (mm) j _{t,e} (max) j _{t,i} (min)	Inertia kgm ²	Mass kg	Torque T ₂ Nm n ₂ 100 Rpm
PSG1.25-18DL	0.128 - 0.052	5.43 x 10 ⁻⁷	0.009	1.37	PSG1.25-18PK	0.128 - 0.052	5.74 x 10 ⁻⁷	0.010	1.55
PSG1.25-19DL	0.128 - 0.052	6.50 x 10 ⁻⁷	0.010	1.54	PSG1.25-19PK	0.128 - 0.052	6.87 x 10 ⁻⁷	0.010	1.75
PSG1.25-20DL	0.128 - 0.052	7.76 x 10 ⁻⁷	0.011	1.73	PSG1.25-20PK	0.128 - 0.052	8.20 x 10 ⁻⁷	0.011	1.96
PSG1.25-21DL	0.128 - 0.052	1.10 x 10 ⁻⁶	0.013	1.92	PSG1.25-21PK	0.128 - 0.052	1.16 x 10 ⁻⁶	0.014	2.18
PSG1.25-22DL	0.128 - 0.052	1.27 x 10 ⁻⁶	0.014	2.13	PSG1.25-22PK	0.128 - 0.052	1.34 x 10 ⁻⁶	0.015	2.41
PSG1.25-23DL	0.128 - 0.052	1.46 x 10 ⁻⁶	0.015	2.35	PSG1.25-23PK	0.128 - 0.052	1.54 x 10 ⁻⁶	0.016	2.66
PSG1.25-24DL	0.128 - 0.052	1.81 x 10 ⁻⁶	0.017	2.59	PSG1.25-24PK	0.128 - 0.052	1.91 x 10 ⁻⁶	0.018	2.93
PSG1.25-25DL	0.129 - 0.051	2.06 x 10 ⁻⁶	0.018	2.83	PSG1.25-25PK	0.129 - 0.051	2.17 x 10 ⁻⁶	0.019	3.21
PSG1.25-26DL	0.129 - 0.051	2.33 x 10 ⁻⁶	0.019	3.09	PSG1.25-26PK	0.129 - 0.051	2.47 x 10 ⁻⁶	0.020	3.50
PSG1.25-27DL	0.129 - 0.051	2.65 x 10 ⁻⁶	0.021	3.37	PSG1.25-27PK	0.129 - 0.051	2.80 x 10 ⁻⁶	0.022	3.81
PSG1.25-28DL	0.129 - 0.051	3.27 x 10 ⁻⁶	0.024	3.65	PSG1.25-28PK	0.129 - 0.051	3.45 x 10 ⁻⁶	0.025	4.13
PSG1.25-29DL	0.129 - 0.051	3.65 x 10 ⁻⁶	0.025	3.87	PSG1.25-29PK	0.129 - 0.051	3.86 x 10 ⁻⁶	0.026	4.47
PSG1.25-30DL	0.129 - 0.051	4.08 x 10 ⁻⁶	0.026	4.05	PSG1.25-30PK	0.129 - 0.051	4.32 x 10 ⁻⁶	0.028	4.83
PSG1.25-32DL	0.129 - 0.051	5.08 x 10 ⁻⁶	0.029	4.39	PSG1.25-32PK	0.129 - 0.051	5.37 x 10 ⁻⁶	0.030	5.59
PSG1.25-35DL	0.129 - 0.051	7.68 x 10 ⁻⁶	0.036	4.91	PSG1.25-35PK	0.129 - 0.051	8.12 x 10 ⁻⁶	0.038	6.70
PSG1.25-38DL	0.129 - 0.051	1.01 x 10 ⁻⁵	0.041	5.45	PSG1.25-38PK	0.129 - 0.051	1.07 x 10 ⁻⁵	0.043	7.43
PSG1.25-40DL	0.129 - 0.051	1.21 x 10 ⁻⁵	0.044	5.81	PSG1.25-40PK	0.129 - 0.051	1.28 x 10 ⁻⁵	0.046	7.93
PSG1.25-42DL	0.171 - 0.069	1.44 x 10 ⁻⁵	0.048	6.17	PSG1.25-42PK	0.171 - 0.069	1.52 x 10 ⁻⁵	0.050	8.41
PSG1.25-45DL	0.171 - 0.069	1.86 x 10 ⁻⁵	0.053	6.71	PSG1.25-45PK	0.171 - 0.069	1.96 x 10 ⁻⁵	0.056	9.14
PSG1.25-48DL	0.171 - 0.069	2.66 x 10 ⁻⁵	0.069	7.26	PSG1.25-48PK	0.171 - 0.069	2.82 x 10 ⁻⁵	0.073	9.89
PSG1.25-50DL	0.171 - 0.069	3.06 x 10 ⁻⁵	0.073	7.63	PSG1.25-50PK	0.171 - 0.069	3.23 x 10 ⁻⁵	0.077	10.40
PSG1.25-52DL	0.171 - 0.069	3.50 x 10 ⁻⁵	0.077	7.99	PSG1.25-52PK	0.171 - 0.069	3.70 x 10 ⁻⁵	0.082	10.89
PSG1.25-55DL	0.171 - 0.069	4.27 x 10 ⁻⁵	0.084	8.54	PSG1.25-55PK	0.171 - 0.069	4.52 x 10 ⁻⁵	0.089	11.64
PSG1.25-58DL	0.171 - 0.069	5.18 x 10 ⁻⁵	0.092	9.09	PSG1.25-58PK	0.171 - 0.069	5.47 x 10 ⁻⁵	0.097	12.40
PSG1.25-60DL	0.171 - 0.069	6.51 x 10 ⁻⁵	0.109	9.47	PSG1.25-60PK	0.171 - 0.069	6.88 x 10 ⁻⁵	0.115	12.91
PSG1.25-62DL	0.171 - 0.069	7.27 x 10 ⁻⁵	0.114	9.82	PSG1.25-62PK	0.171 - 0.069	7.68 x 10 ⁻⁵	0.121	13.39
PSG1.25-65DL	0.173 - 0.067	8.56 x 10 ⁻⁵	0.123	10.36	PSG1.25-65PK	0.173 - 0.067	9.04 x 10 ⁻⁵	0.130	14.13
PSG1.25-68DL	0.173 - 0.067	1.00 x 10 ⁻⁴	0.131	10.90	PSG1.25-68PK	0.173 - 0.067	1.06 x 10 ⁻⁴	0.139	14.87
PSG1.25-70DL	0.173 - 0.067	1.11 x 10 ⁻⁴	0.137	11.27	PSG1.25-70PK	0.173 - 0.067	1.18 x 10 ⁻⁴	0.145	15.36
PSG1.25-72DL	0.173 - 0.067	1.23 x 10 ⁻⁴	0.143	11.63	PSG1.25-72PK	0.173 - 0.067	1.30 x 10 ⁻⁴	0.151	15.86
PSG1.25-75DL	0.173 - 0.067	1.55 x 10 ⁻⁴	0.168	12.18	PSG1.25-75PK	0.173 - 0.067	1.64 x 10 ⁻⁴	0.178	16.61
PSG1.25-78DL	0.173 - 0.067	1.78 x 10 ⁻⁴	0.178	12.74	PSG1.25-78PK	0.173 - 0.067	1.88 x 10 ⁻⁴	0.188	17.37
PSG1.25-80DL	0.173 - 0.067	1.94 x 10 ⁻⁴	0.185	13.11	PSG1.25-80PK	0.173 - 0.067	2.05 x 10 ⁻⁴	0.195	17.88
PSG1.25-82DL	0.173 - 0.067	2.12 x 10 ⁻⁴	0.192	13.49	PSG1.25-82PK	0.173 - 0.067	2.24 x 10 ⁻⁴	0.203	18.40
PSG1.25-85DL	0.173 - 0.067	2.41 x 10 ⁻⁴	0.203	14.04	PSG1.25-85PK	0.173 - 0.067	2.55 x 10 ⁻⁴	0.214	19.14
PSG1.25-90DL	0.173 - 0.067	3.06 x 10 ⁻⁴	0.230	14.96	PSG1.25-90PK	0.173 - 0.067	3.23 x 10 ⁻⁴	0.243	20.40
PSG1.25-95DL	0.173 - 0.067	3.72 x 10 ⁻⁴	0.250	15.88	PSG1.25-95PK	0.173 - 0.067	3.94 x 10 ⁻⁴	0.264	21.66
PSG1.25-100DL	0.175 - 0.065	4.50 x 10 ⁻⁴	0.268	16.79	PSG1.25-100PK	0.175 - 0.065	4.76 x 10 ⁻⁴	0.284	22.89
PSG1.25-110DL	0.227 - 0.097	6.56 x 10 ⁻⁴	0.323	18.61	PSG1.25-110PK	0.227 - 0.097	6.93 x 10 ⁻⁴	0.341	25.37
PSG1.25-120DL	0.227 - 0.097	9.12 x 10 ⁻⁴	0.373	20.43	PSG1.25-120PK	0.227 - 0.097	9.64 x 10 ⁻⁴	0.394	27.85

PSG-DL
PSG-PK
1.5m_n

PRECISION GEARS

1.5 Module Plastic Spur Gear α 20° PA

Quality Grade 8e25 DIN 3961/3967 (AGMA Q9)



DIN 3967 Tooth Thickness tol.

Part Number		No. of Teeth <i>z</i>	Ref. Dia. <i>d</i>	Tip Dia. <i>d_a</i>	Bore H7 <i>d_j</i>	Max. Bore H7 <i>d_j</i>	Hub Dia. <i>BD</i>
Delrin POM	PEEK GF30°						
PSG1.5-18DL	PSG1.5-18PK	18	27.0	30.0	6	12	22
PSG1.5-19DL	PSG1.5-19PK	19	28.5	31.5	6	12	22
PSG1.5-20DL	PSG1.5-20PK	20	30.0	33.0	6	12	22
PSG1.5-21DL	PSG1.5-21PK	21	31.5	34.5	8	14	25
PSG1.5-22DL	PSG1.5-22PK	22	33.0	36.0	8	14	25
PSG1.5-23DL	PSG1.5-23PK	23	34.5	37.5	8	14	25
PSG1.5-24DL	PSG1.5-24PK	24	36.0	39.0	8	14	25
PSG1.5-25DL	PSG1.5-25PK	25	37.5	40.5	8	14	25
PSG1.5-26DL	PSG1.5-26PK	26	39.0	42.0	8	14	25
PSG1.5-27DL	PSG1.5-27PK	27	40.5	43.5	8	14	25
PSG1.5-28DL	PSG1.5-28PK	28	42.0	45.0	8	14	25
PSG1.5-29DL	PSG1.5-29PK	29	43.5	46.5	10	20	35
PSG1.5-30DL	PSG1.5-30PK	30	45.0	48.0	10	20	35
PSG1.5-32DL	PSG1.5-32PK	32	48.0	51.0	10	20	35
PSG1.5-35DL	PSG1.5-35PK	35	52.5	55.5	10	20	35
PSG1.5-38DL	PSG1.5-38PK	38	57.0	60.0	12	25	45
PSG1.5-40DL	PSG1.5-40PK	40	60.0	63.0	12	25	45
PSG1.5-42DL	PSG1.5-42PK	42	63.0	66.0	12	25	45
PSG1.5-45DL	PSG1.5-45PK	45	67.5	70.5	12	25	45
PSG1.5-48DL	PSG1.5-48PK	48	72.0	75.0	12	25	45
PSG1.5-50DL	PSG1.5-50PK	50	75.0	78.0	14	30	55
PSG1.5-52DL	PSG1.5-52PK	52	78.0	81.0	14	30	55
PSG1.5-55DL	PSG1.5-55PK	55	82.5	85.5	14	30	55
PSG1.5-58DL	PSG1.5-58PK	58	87.0	90.0	14	30	55
PSG1.5-60DL	PSG1.5-60PK	60	90.0	93.0	14	30	55
PSG1.5-62DL	PSG1.5-62PK	62	93.0	96.0	14	30	55
PSG1.5-65DL	PSG1.5-65PK	65	97.5	100.5	14	30	55
PSG1.5-68DL	PSG1.5-68PK	68	102.0	105.0	16	40	65
PSG1.5-70DL	PSG1.5-70PK	70	105.0	108.0	16	40	65
PSG1.5-72DL	PSG1.5-72PK	72	108.0	111.0	16	40	65
PSG1.5-75DL	PSG1.5-75PK	75	112.5	115.5	16	40	65
PSG1.5-78DL	PSG1.5-78PK	78	117.0	120.0	16	40	65
PSG1.5-80DL	PSG1.5-80PK	80	120.0	123.0	16	40	65
PSG1.5-82DL	PSG1.5-82PK	82	123.0	126.0	16	40	65
PSG1.5-85DL	PSG1.5-85PK	85	127.5	130.5	16	40	65
PSG1.5-88DL	PSG1.5-88PK	88	132.0	135.0	16	40	65
PSG1.5-90DL	PSG1.5-90PK	90	135.0	138.0	16	40	65
PSG1.5-92DL	PSG1.5-92PK	92	138.0	141.0	16	40	65
PSG1.5-95DL	PSG1.5-95PK	95	142.5	145.5	16	40	65
PSG1.5-98DL	PSG1.5-98PK	98	147.0	150.0	16	40	65

PSG-DL
PSG-PK
1.5m_n

PRECISION GEARS

1.5 Module Plastic Spur Gear α 20° PA

Quality Grade 8e25 DIN 3961/3967 (AGMA Q9)

Standard Part **PSG** **1.5** **50** **DL**

Modified Part **PSG** **1.5** **50** **PK** **20** **K** **T**

PSG - Precision Spur Gear
Quality Grade 7e DIN 3961/3967
Other Quality Grades available.
See Technical

m_n Module - Cut with DIN 867 1.25/0.20/1.0
Ref. Tooth Profile Topping WD = 2.25 x m_n

Number of Teeth **z**

DL = Delrin POM (White)
PK = PEEK GF30® (Light Brown)

T = 1 x Tapped hole **2T** = 2 x Tapped holes
P = 1 x Pin Hole **PT** = 1 x Pin Hole through
All threads metric as standard.
See Technical

K - Keyway supplied to
DIN 6885 - Js9 tolerance.
See Technical

To specify different bore enter size required
Example: 20 = 20mm H7 etc
See Technical

η_z Meshing Efficiency approx. 98%

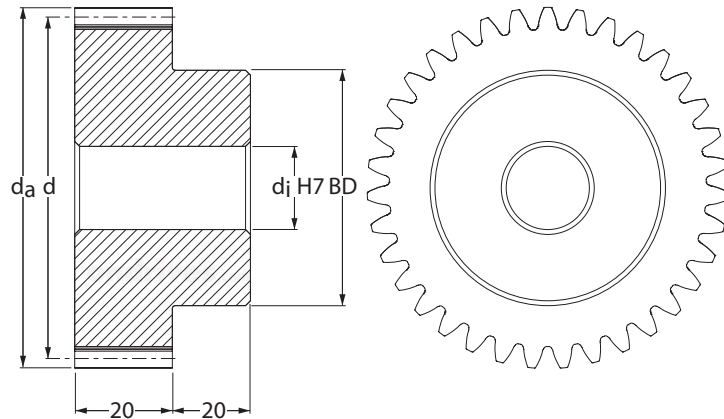
Part Number Delrin POM	Backlash (mm)		Inertia kgm ²	Mass kg	Torque T ₂ Nm n ₂ 100 Rpm	Part Number PEEK GF30®	Backlash (mm)		Inertia kgm ²	Mass kg	Torque T ₂ Nm n ₂ 100 Rpm
	j _{t,e} (max)	j _{t,i} (min)					j _{t,e} (max)	j _{t,i} (min)			
PSG1.5-18DL	0.128	-0.052	1.63 x 10 ⁻⁶	0.019	1.90	PSG1.5-18PK	0.128	-0.052	1.72 x 10 ⁻⁶	0.020	2.15
PSG1.5-19DL	0.128	-0.052	1.89 x 10 ⁻⁶	0.020	2.14	PSG1.5-19PK	0.128	-0.052	2.00 x 10 ⁻⁶	0.021	2.43
PSG1.5-20DL	0.128	-0.052	2.21 x 10 ⁻⁶	0.022	2.40	PSG1.5-20PK	0.128	-0.052	2.33 x 10 ⁻⁶	0.023	2.71
PSG1.5-21DL	0.129	-0.051	2.88 x 10 ⁻⁶	0.025	2.67	PSG1.5-21PK	0.129	-0.051	3.04 x 10 ⁻⁶	0.026	3.02
PSG1.5-22DL	0.129	-0.051	3.30 x 10 ⁻⁶	0.026	2.96	PSG1.5-22PK	0.129	-0.051	3.48 x 10 ⁻⁶	0.028	3.35
PSG1.5-23DL	0.129	-0.051	3.78 x 10 ⁻⁶	0.028	3.27	PSG1.5-23PK	0.129	-0.051	3.99 x 10 ⁻⁶	0.029	3.70
PSG1.5-24DL	0.129	-0.051	4.32 x 10 ⁻⁶	0.030	3.59	PSG1.5-24PK	0.129	-0.051	4.56 x 10 ⁻⁶	0.031	4.06
PSG1.5-25DL	0.129	-0.051	4.93 x 10 ⁻⁶	0.031	3.93	PSG1.5-25PK	0.129	-0.051	5.21 x 10 ⁻⁶	0.033	4.45
PSG1.5-26DL	0.129	-0.051	5.63 x 10 ⁻⁶	0.033	4.30	PSG1.5-26PK	0.129	-0.051	5.95 x 10 ⁻⁶	0.035	4.86
PSG1.5-27DL	0.129	-0.051	6.41 x 10 ⁻⁶	0.035	4.67	PSG1.5-27PK	0.129	-0.051	6.77 x 10 ⁻⁶	0.037	5.29
PSG1.5-28DL	0.129	-0.051	7.27 x 10 ⁻⁶	0.037	5.07	PSG1.5-28PK	0.129	-0.051	7.69 x 10 ⁻⁶	0.039	5.74
PSG1.5-29DL	0.129	-0.051	1.05 x 10 ⁻⁵	0.048	5.49	PSG1.5-29PK	0.129	-0.051	1.11 x 10 ⁻⁵	0.051	6.21
PSG1.5-30DL	0.129	-0.051	1.16 x 10 ⁻⁵	0.050	5.93	PSG1.5-30PK	0.129	-0.051	1.22 x 10 ⁻⁵	0.053	6.70
PSG1.5-32DL	0.129	-0.051	1.41 x 10 ⁻⁵	0.055	6.86	PSG1.5-32PK	0.129	-0.051	1.49 x 10 ⁻⁵	0.058	7.76
PSG1.5-35DL	0.171	-0.069	1.88 x 10 ⁻⁵	0.062	7.98	PSG1.5-35PK	0.171	-0.069	1.99 x 10 ⁻⁵	0.066	9.51
PSG1.5-38DL	0.171	-0.069	3.02 x 10 ⁻⁵	0.082	8.86	PSG1.5-38PK	0.171	-0.069	3.19 x 10 ⁻⁵	0.087	11.47
PSG1.5-40DL	0.171	-0.069	3.52 x 10 ⁻⁵	0.088	9.45	PSG1.5-40PK	0.171	-0.069	3.72 x 10 ⁻⁵	0.093	12.89
PSG1.5-42DL	0.171	-0.069	4.09 x 10 ⁻⁵	0.094	10.03	PSG1.5-42PK	0.171	-0.069	4.32 x 10 ⁻⁵	0.100	13.67
PSG1.5-45DL	0.171	-0.069	5.12 x 10 ⁻⁵	0.104	10.90	PSG1.5-45PK	0.171	-0.069	5.41 x 10 ⁻⁵	0.110	14.86
PSG1.5-48DL	0.171	-0.069	6.38 x 10 ⁻⁵	0.114	11.79	PSG1.5-48PK	0.171	-0.069	6.74 x 10 ⁻⁵	0.121	16.08
PSG1.5-50DL	0.171	-0.069	8.40 x 10 ⁻⁵	0.136	12.40	PSG1.5-50PK	0.171	-0.069	8.88 x 10 ⁻⁵	0.144	16.91
PSG1.5-52DL	0.171	-0.069	9.51 x 10 ⁻⁵	0.144	12.99	PSG1.5-52PK	0.171	-0.069	1.00 x 10 ⁻⁴	0.152	17.71
PSG1.5-55DL	0.173	-0.067	1.14 x 10 ⁻⁴	0.156	13.88	PSG1.5-55PK	0.173	-0.067	1.21 x 10 ⁻⁴	0.165	18.92
PSG1.5-58DL	0.173	-0.067	1.37 x 10 ⁻⁴	0.169	14.78	PSG1.5-58PK	0.173	-0.067	1.45 x 10 ⁻⁴	0.178	20.15
PSG1.5-60DL	0.173	-0.067	1.54 x 10 ⁻⁴	0.177	15.39	PSG1.5-60PK	0.173	-0.067	1.63 x 10 ⁻⁴	0.187	20.98
PSG1.5-62DL	0.173	-0.067	1.73 x 10 ⁻⁴	0.186	15.97	PSG1.5-62PK	0.173	-0.067	1.83 x 10 ⁻⁴	0.197	21.77
PSG1.5-65DL	0.173	-0.067	2.05 x 10 ⁻⁴	0.201	16.84	PSG1.5-65PK	0.173	-0.067	2.17 x 10 ⁻⁴	0.212	22.97
PSG1.5-68DL	0.173	-0.067	2.60 x 10 ⁻⁴	0.233	17.72	PSG1.5-68PK	0.173	-0.067	2.74 x 10 ⁻⁴	0.247	24.17
PSG1.5-70DL	0.173	-0.067	2.87 x 10 ⁻⁴	0.244	18.31	PSG1.5-70PK	0.173	-0.067	3.03 x 10 ⁻⁴	0.258	24.97
PSG1.5-72DL	0.173	-0.067	3.17 x 10 ⁻⁴	0.254	18.91	PSG1.5-72PK	0.173	-0.067	3.35 x 10 ⁻⁴	0.269	25.78
PSG1.5-75DL	0.173	-0.067	3.67 x 10 ⁻⁴	0.271	19.80	PSG1.5-75PK	0.173	-0.067	3.88 x 10 ⁻⁴	0.286	27.00
PSG1.5-78DL	0.173	-0.067	4.23 x 10 ⁻⁴	0.288	20.71	PSG1.5-78PK	0.173	-0.067	4.47 x 10 ⁻⁴	0.304	28.23
PSG1.5-80DL	0.173	-0.067	4.64 x 10 ⁻⁴	0.300	21.31	PSG1.5-80PK	0.173	-0.067	4.90 x 10 ⁻⁴	0.317	29.06
PSG1.5-82DL	0.175	-0.065	5.08 x 10 ⁻⁴	0.312	21.93	PSG1.5-82PK	0.175	-0.065	5.37 x 10 ⁻⁴	0.329	29.91
PSG1.5-85DL	0.227	-0.097	5.81 x 10 ⁻⁴	0.330	22.82	PSG1.5-85PK	0.227	-0.097	6.14 x 10 ⁻⁴	0.349	31.12
PSG1.5-88DL	0.227	-0.097	6.63 x 10 ⁻⁴	0.350	23.72	PSG1.5-88PK	0.227	-0.097	7.00 x 10 ⁻⁴	0.369	32.34
PSG1.5-90DL	0.227	-0.097	7.21 x 10 ⁻⁴	0.363	24.31	PSG1.5-90PK	0.227	-0.097	7.62 x 10 ⁻⁴	0.384	33.16
PSG1.5-92DL	0.227	-0.097	7.84 x 10 ⁻⁴	0.376	24.91	PSG1.5-92PK	0.227	-0.097	8.29 x 10 ⁻⁴	0.398	33.97
PSG1.5-95DL	0.227	-0.097	8.87 x 10 ⁻⁴	0.397	25.82	PSG1.5-95PK	0.227	-0.097	9.37 x 10 ⁻⁴	0.420	35.21
PSG1.5-98DL	0.227	-0.097	1.00 x 10 ⁻³	0.419	26.73	PSG1.5-98PK	0.227	-0.097	1.06 x 10 ⁻³	0.443	36.45

PSG-DL
PSG-PK
2.0m_n

PRECISION GEARS

2.0 Module Plastic Spur Gear α 20° PA

Quality Grade 8e25 DIN 3961/3967 (AGMA Q9)



DIN 3967 Tooth Thickness tol.

Part Number		No. of Teeth <i>z</i>	Ref. Dia. <i>d</i>	Tip Dia. <i>d_a</i>	Bore H7 <i>d_j</i>	Max. Bore H7 <i>d_j</i>	Hub Dia. <i>BD</i>
Delrin POM	PEEK GF30°						
PSG2.0-18DL	PSG2.0-18PK	18	36	40	10	16	30
PSG2.0-19DL	PSG2.0-19PK	19	38	42	10	16	30
PSG2.0-20DL	PSG2.0-20PK	20	40	44	10	16	30
PSG2.0-21DL	PSG2.0-21PK	21	42	46	12	20	35
PSG2.0-22DL	PSG2.0-22PK	22	44	48	12	20	35
PSG2.0-23DL	PSG2.0-23PK	23	46	50	12	20	35
PSG2.0-24DL	PSG2.0-24PK	24	48	52	12	20	35
PSG2.0-25DL	PSG2.0-25PK	25	50	54	12	20	35
PSG2.0-26DL	PSG2.0-26PK	26	52	56	12	20	35
PSG2.0-27DL	PSG2.0-27PK	27	54	58	12	20	35
PSG2.0-28DL	PSG2.0-28PK	28	56	60	12	20	35
PSG2.0-29DL	PSG2.0-29PK	29	58	62	14	25	45
PSG2.0-30DL	PSG2.0-30PK	30	60	64	14	25	45
PSG2.0-32DL	PSG2.0-32PK	32	64	68	14	25	45
PSG2.0-35DL	PSG2.0-35PK	35	70	74	14	25	45
PSG2.0-38DL	PSG2.0-38PK	38	76	80	14	25	45
PSG2.0-40DL	PSG2.0-40PK	40	80	84	16	30	55
PSG2.0-42DL	PSG2.0-42PK	42	84	88	16	30	55
PSG2.0-45DL	PSG2.0-45PK	45	90	94	16	30	55
PSG2.0-48DL	PSG2.0-48PK	48	96	100	16	30	55
PSG2.0-50DL	PSG2.0-50PK	50	100	104	20	40	65
PSG2.0-52DL	PSG2.0-52PK	52	104	108	20	40	65
PSG2.0-55DL	PSG2.0-55PK	55	110	114	20	40	65
PSG2.0-58DL	PSG2.0-58PK	58	116	120	20	40	65
PSG2.0-60DL	PSG2.0-60PK	60	120	124	20	40	65
PSG2.0-62DL	PSG2.0-62PK	62	124	128	20	40	65
PSG2.0-65DL	PSG2.0-65PK	65	130	134	20	40	65
PSG2.0-68DL	PSG2.0-68PK	68	136	140	20	40	65
PSG2.0-70DL	PSG2.0-70PK	70	140	144	20	40	65
PSG2.0-72DL	PSG2.0-72PK	72	144	148	20	40	65

PSG-DL
PSG-PK
2.0m_n

PRECISION GEARS

2.0 Module Plastic Spur Gear α 20° PA

Quality Grade 8e25 DIN 3961/3967 (AGMA Q9)

Standard Part **PSG** **2.0** **50** **DL**

Modified Part **PSG** **2.0** **50** **PK** **25** **K** **T**

PSG - Precision Spur Gear
Quality Grade 7e DIN 3961/3967
Other Quality Grades available.
See Technical

m_n Module - Cut with DIN 867 1.25/0.20/1.0
Ref. Tooth Profile Topping WD = 2.25 x m_n

Number of Teeth **z**

DL = Delrin POM (White)
PK = PEEK GF30® (Light Brown)

T = 1 x Tapped hole **2T** = 2 x Tapped holes
P = 1 x Pin Hole **PT** = 1 x Pin Hole through
All threads metric as standard.
See Technical

K - Keyway supplied to
DIN 6885 - Js9 tolerance.
See Technical

To specify different bore enter size required
Example: 25 = 25mm H7 etc
See Technical

η_z Meshing Efficiency approx. 98%

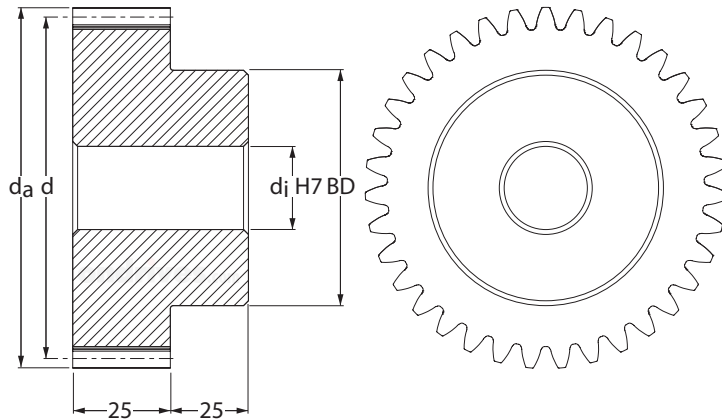
Part Number Delrin POM	Backlash (mm)		Inertia kgm ²	Mass kg	Torque T ₂ Nm n ₂ 100 Rpm	Part Number PEEK GF30®	Backlash (mm)		Inertia kgm ²	Mass kg	Torque T ₂ Nm n ₂ 100 Rpm
	j _{t,e} (max)	j _{t,i} (min)					j _{t,e} (max)	j _{t,i} (min)			
PSG2.0-18DL	0.129 - 0.051	7.01 x 10 ⁻⁶	0.044	3.20	PSG2.0-18PK	0.129 - 0.051	7.41 x 10 ⁻⁶	0.046	3.62		
PSG2.0-19DL	0.129 - 0.051	8.14 x 10 ⁻⁶	0.047	3.60	PSG2.0-19PK	0.129 - 0.051	8.60 x 10 ⁻⁶	0.050	4.07		
PSG2.0-20DL	0.129 - 0.051	9.45 x 10 ⁻⁶	0.051	4.03	PSG2.0-20PK	0.129 - 0.051	9.99 x 10 ⁻⁶	0.053	4.56		
PSG2.0-21DL	0.129 - 0.051	1.28 x 10 ⁻⁵	0.059	4.48	PSG2.0-21PK	0.129 - 0.051	1.36 x 10 ⁻⁵	0.063	5.07		
PSG2.0-22DL	0.129 - 0.051	1.46 x 10 ⁻⁵	0.063	4.97	PSG2.0-22PK	0.129 - 0.051	1.54 x 10 ⁻⁵	0.067	5.62		
PSG2.0-23DL	0.129 - 0.051	1.66 x 10 ⁻⁵	0.067	5.48	PSG2.0-23PK	0.129 - 0.051	1.75 x 10 ⁻⁵	0.071	6.21		
PSG2.0-24DL	0.129 - 0.051	1.89 x 10 ⁻⁵	0.071	6.03	PSG2.0-24PK	0.129 - 0.051	2.00 x 10 ⁻⁵	0.075	6.82		
PSG2.0-25DL	0.129 - 0.051	2.15 x 10 ⁻⁵	0.075	6.60	PSG2.0-25PK	0.129 - 0.051	2.27 x 10 ⁻⁵	0.080	7.47		
PSG2.0-26DL	0.171 - 0.069	2.44 x 10 ⁻⁵	0.080	7.21	PSG2.0-26PK	0.171 - 0.069	2.58 x 10 ⁻⁵	0.084	8.16		
PSG2.0-27DL	0.171 - 0.069	2.77 x 10 ⁻⁵	0.085	7.85	PSG2.0-27PK	0.171 - 0.069	2.93 x 10 ⁻⁵	0.089	8.88		
PSG2.0-28DL	0.171 - 0.069	3.13 x 10 ⁻⁵	0.089	8.51	PSG2.0-28PK	0.171 - 0.069	3.31 x 10 ⁻⁵	0.094	9.63		
PSG2.0-29DL	0.171 - 0.069	4.25 x 10 ⁻⁵	0.110	9.21	PSG2.0-29PK	0.171 - 0.069	4.49 x 10 ⁻⁵	0.116	10.42		
PSG2.0-30DL	0.171 - 0.069	4.70 x 10 ⁻⁵	0.115	9.95	PSG2.0-30PK	0.171 - 0.069	4.97 x 10 ⁻⁵	0.122	11.25		
PSG2.0-32DL	0.171 - 0.069	5.75 x 10 ⁻⁵	0.126	11.51	PSG2.0-32PK	0.171 - 0.069	6.08 x 10 ⁻⁵	0.133	13.02		
PSG2.0-35DL	0.171 - 0.069	7.74 x 10 ⁻⁵	0.144	14.10	PSG2.0-35PK	0.171 - 0.069	8.17 x 10 ⁻⁵	0.152	15.96		
PSG2.0-38DL	0.171 - 0.069	1.03 x 10 ⁻⁴	0.163	17.01	PSG2.0-38PK	0.171 - 0.069	1.09 x 10 ⁻⁴	0.172	19.25		
PSG2.0-40DL	0.171 - 0.069	1.38 x 10 ⁻⁴	0.196	19.13	PSG2.0-40PK	0.171 - 0.069	1.46 x 10 ⁻⁴	0.207	21.64		
PSG2.0-42DL	0.173 - 0.067	1.62 x 10 ⁻⁴	0.211	21.14	PSG2.0-42PK	0.173 - 0.067	1.71 x 10 ⁻⁴	0.222	24.20		
PSG2.0-45DL	0.173 - 0.067	2.05 x 10 ⁻⁴	0.234	22.99	PSG2.0-45PK	0.173 - 0.067	2.17 x 10 ⁻⁴	0.247	28.36		
PSG2.0-48DL	0.173 - 0.067	2.58 x 10 ⁻⁴	0.258	24.87	PSG2.0-48PK	0.173 - 0.067	2.73 x 10 ⁻⁴	0.273	32.90		
PSG2.0-50DL	0.173 - 0.067	3.23 x 10 ⁻⁴	0.296	26.15	PSG2.0-50PK	0.173 - 0.067	3.42 x 10 ⁻⁴	0.312	35.66		
PSG2.0-52DL	0.173 - 0.067	3.70 x 10 ⁻⁴	0.314	27.39	PSG2.0-52PK	0.173 - 0.067	3.91 x 10 ⁻⁴	0.331	37.35		
PSG2.0-55DL	0.173 - 0.067	4.51 x 10 ⁻⁴	0.342	29.27	PSG2.0-55PK	0.173 - 0.067	4.76 x 10 ⁻⁴	0.361	39.91		
PSG2.0-58DL	0.173 - 0.067	5.46 x 10 ⁻⁴	0.372	31.17	PSG2.0-58PK	0.173 - 0.067	5.77 x 10 ⁻⁴	0.393	42.50		
PSG2.0-60DL	0.173 - 0.067	6.18 x 10 ⁻⁴	0.393	32.45	PSG2.0-60PK	0.173 - 0.067	6.53 x 10 ⁻⁴	0.415	44.26		
PSG2.0-62DL	0.175 - 0.065	6.98 x 10 ⁻⁴	0.414	33.68	PSG2.0-62PK	0.175 - 0.065	7.37 x 10 ⁻⁴	0.438	45.92		
PSG2.0-65DL	0.227 - 0.097	8.33 x 10 ⁻⁴	0.448	35.52	PSG2.0-65PK	0.227 - 0.097	8.80 x 10 ⁻⁴	0.473	48.44		
PSG2.0-68DL	0.227 - 0.097	9.88 x 10 ⁻⁴	0.483	37.38	PSG2.0-68PK	0.227 - 0.097	1.04 x 10 ⁻³	0.510	50.97		
PSG2.0-70DL	0.227 - 0.097	1.10 x 10 ⁻³	0.507	38.62	PSG2.0-70PK	0.227 - 0.097	1.17 x 10 ⁻³	0.536	52.67		
PSG2.0-72DL	0.227 - 0.097	1.23 x 10 ⁻³	0.532	39.88	PSG2.0-72PK	0.227 - 0.097	1.30 x 10 ⁻³	0.563	54.38		

PSG-DL
PSG-PK
2.5m_n

PRECISION GEARS

2.5 Module Plastic Spur Gear α 20° PA

Quality Grade 8e25 DIN 3961/3967 (AGMA Q9)



DIN 3967 Tooth Thickness tol.

Part Number		No. of Teeth <i>z</i>	Ref. Dia. <i>d</i>	Tip Dia. <i>d_a</i>	Bore H7 <i>d_j</i>	Max. Bore H7 <i>d_j</i>	Hub Dia. <i>BD</i>
Delrin POM	PEEK GF30°						
PSG2.5-18DL	PSG2.5-18PK	18	45.0	50.0	14	18	35
PSG2.5-19DL	PSG2.5-19PK	19	47.5	52.5	14	18	35
PSG2.5-20DL	PSG2.5-20PK	20	50.0	55.0	14	18	35
PSG2.5-21DL	PSG2.5-21PK	21	52.5	57.5	14	18	35
PSG2.5-22DL	PSG2.5-22PK	22	55.0	60.0	14	18	35
PSG2.5-23DL	PSG2.5-23PK	23	57.5	62.5	16	25	45
PSG2.5-24DL	PSG2.5-24PK	24	60.0	65.0	16	25	45
PSG2.5-25DL	PSG2.5-25PK	25	62.5	67.5	16	25	45
PSG2.5-26DL	PSG2.5-26PK	26	65.0	70.0	16	25	45
PSG2.5-27DL	PSG2.5-27PK	27	67.5	72.5	16	25	45
PSG2.5-28DL	PSG2.5-28PK	28	70.0	75.0	16	25	45
PSG2.5-29DL	PSG2.5-29PK	29	72.5	77.5	18	35	55
PSG2.5-30DL	PSG2.5-30PK	30	75.0	80.0	18	35	55
PSG2.5-32DL	PSG2.5-32PK	32	80.0	85.0	18	35	55
PSG2.5-35DL	PSG2.5-35PK	35	87.5	92.5	18	35	55
PSG2.5-38DL	PSG2.5-38PK	38	95.0	100.0	20	40	70
PSG2.5-40DL	PSG2.5-40PK	40	100.0	105.0	20	40	70
PSG2.5-42DL	PSG2.5-42PK	42	105.0	110.0	20	40	70
PSG2.5-45DL	PSG2.5-45PK	45	112.5	117.5	20	40	70
PSG2.5-48DL	PSG2.5-48PK	48	120.0	125.0	20	40	70
PSG2.5-50DL	PSG2.5-50PK	50	125.0	130.0	20	40	70
PSG2.5-52DL	PSG2.5-52PK	52	130.0	135.0	20	40	70
PSG2.5-55DL	PSG2.5-55PK	55	137.5	142.5	20	40	70
PSG2.5-58DL	PSG2.5-58PK	58	145.0	150.0	20	40	70

PSG-DL
PSG-PK
2.5m_n

PRECISION GEARS

2.5 Module Plastic Spur Gear α 20° PA

Quality Grade 8e25 DIN 3961/3967 (AGMA Q9)

Standard Part **PSG** **2.5** **50** **DL**

Modified Part **PSG** **2.5** **50** **PK** **25** **K** **T**

PSG - Precision Spur Gear
Quality Grade 7e DIN 3961/3967
Other Quality Grades available.
See Technical

m_n Module - Cut with DIN 867 1.25/0.20/1.0
Ref. Tooth Profile Topping WD = 2.25 x m_n

Number of Teeth **z**

DL = Delrin POM (White)
PK = PEEK GF30° (Light Brown)

T = 1 x Tapped hole **2T** = 2 x Tapped holes
P = 1 x Pin Hole **PT** = 1 x Pin Hole through
All threads metric as standard.
See Technical

K - Keyway supplied to
DIN 6885 - Js9 tolerance.
See Technical

To specify different bore enter size required
Example: 25 = 25mm H7 etc
See Technical

η_z Meshing Efficiency approx. 98%

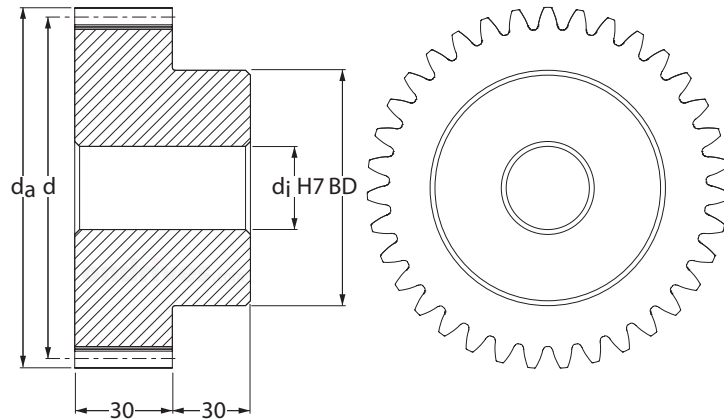
Part Number Delrin POM	Backlash (mm) j _{t,e} (max) j _{t,i} (min)	Inertia kgm ²	Mass kg	Torque T ₂ Nm n ₂ 100 Rpm	Part Number PEEK GF30°	Backlash (mm) j _{t,e} (max) j _{t,i} (min)	Inertia kgm ²	Mass kg	Torque T ₂ Nm n ₂ 100 Rpm
PSG2.5-18DL	0.129 - 0.051	1.96 x 10 ⁻⁵	0.078	4.78	PSG2.5-18PK	0.129 - 0.051	2.08 x 10 ⁻⁵	0.083	5.40
PSG2.5-19DL	0.129 - 0.051	2.31 x 10 ⁻⁵	0.085	5.38	PSG2.5-19PK	0.129 - 0.051	2.44 x 10 ⁻⁵	0.090	6.08
PSG2.5-20DL	0.129 - 0.051	2.71 x 10 ⁻⁵	0.091	6.02	PSG2.5-20PK	0.129 - 0.051	2.86 x 10 ⁻⁵	0.097	6.81
PSG2.5-21DL	0.171 - 0.069	3.18 x 10 ⁻⁵	0.098	6.70	PSG2.5-21PK	0.171 - 0.069	3.36 x 10 ⁻⁵	0.104	7.58
PSG2.5-22DL	0.171 - 0.069	3.71 x 10 ⁻⁵	0.106	7.43	PSG2.5-22PK	0.171 - 0.069	3.92 x 10 ⁻⁵	0.112	8.40
PSG2.5-23DL	0.171 - 0.069	5.21 x 10 ⁻⁵	0.132	8.20	PSG2.5-23PK	0.171 - 0.069	5.50 x 10 ⁻⁵	0.140	9.27
PSG2.5-24DL	0.171 - 0.069	5.91 x 10 ⁻⁵	0.140	9.01	PSG2.5-24PK	0.171 - 0.069	6.24 x 10 ⁻⁵	0.148	10.19
PSG2.5-25DL	0.171 - 0.069	6.70 x 10 ⁻⁵	0.149	9.87	PSG2.5-25PK	0.171 - 0.069	7.08 x 10 ⁻⁵	0.157	11.17
PSG2.5-26DL	0.171 - 0.069	7.59 x 10 ⁻⁵	0.157	10.77	PSG2.5-26PK	0.171 - 0.069	8.02 x 10 ⁻⁵	0.166	12.19
PSG2.5-27DL	0.171 - 0.069	8.59 x 10 ⁻⁵	0.167	11.72	PSG2.5-27PK	0.171 - 0.069	9.08 x 10 ⁻⁵	0.176	13.27
PSG2.5-28DL	0.171 - 0.069	9.71 x 10 ⁻⁵	0.176	12.72	PSG2.5-28PK	0.171 - 0.069	1.03 x 10 ⁻⁴	0.186	14.39
PSG2.5-29DL	0.171 - 0.069	1.27 x 10 ⁻⁴	0.210	13.77	PSG2.5-29PK	0.171 - 0.069	1.34 x 10 ⁻⁴	0.222	15.58
PSG2.5-30DL	0.171 - 0.069	1.40 x 10 ⁻⁴	0.220	14.86	PSG2.5-30PK	0.171 - 0.069	1.48 x 10 ⁻⁴	0.232	16.81
PSG2.5-32DL	0.171 - 0.069	1.72 x 10 ⁻⁴	0.241	17.20	PSG2.5-32PK	0.171 - 0.069	1.82 x 10 ⁻⁴	0.255	19.46
PSG2.5-35DL	0.173 - 0.067	2.33 x 10 ⁻⁴	0.276	21.08	PSG2.5-35PK	0.173 - 0.067	2.46 x 10 ⁻⁴	0.291	23.85
PSG2.5-38DL	0.173 - 0.067	3.62 x 10 ⁻⁴	0.361	25.42	PSG2.5-38PK	0.173 - 0.067	3.83 x 10 ⁻⁴	0.381	28.76
PSG2.5-40DL	0.173 - 0.067	4.26 x 10 ⁻⁴	0.388	28.58	PSG2.5-40PK	0.173 - 0.067	4.50 x 10 ⁻⁴	0.410	32.34
PSG2.5-42DL	0.173 - 0.067	5.00 x 10 ⁻⁴	0.416	31.96	PSG2.5-42PK	0.173 - 0.067	5.28 x 10 ⁻⁴	0.440	36.17
PSG2.5-45DL	0.173 - 0.067	6.32 x 10 ⁻⁴	0.461	37.45	PSG2.5-45PK	0.173 - 0.067	6.68 x 10 ⁻⁴	0.487	42.38
PSG2.5-48DL	0.173 - 0.067	7.94 x 10 ⁻⁴	0.509	43.46	PSG2.5-48PK	0.173 - 0.067	8.39 x 10 ⁻⁴	0.538	49.17
PSG2.5-50DL	0.175 - 0.065	9.20 x 10 ⁻⁴	0.543	47.75	PSG2.5-50PK	0.175 - 0.065	9.72 x 10 ⁻⁴	0.573	54.02
PSG2.5-52DL	0.227 - 0.097	1.06 x 10 ⁻³	0.578	50.18	PSG2.5-52PK	0.227 - 0.097	1.12 x 10 ⁻³	0.611	59.15
PSG2.5-55DL	0.227 - 0.097	1.31 x 10 ⁻³	0.633	53.62	PSG2.5-55PK	0.227 - 0.097	1.38 x 10 ⁻³	0.669	67.35
PSG2.5-58DL	0.227 - 0.097	1.60 x 10 ⁻³	0.691	57.11	PSG2.5-58PK	0.227 - 0.097	1.69 x 10 ⁻³	0.731	76.17

PSG-DL
PSG-PK
3.0m_n

PRECISION GEARS

3.0 Module Plastic Spur Gear α 20° PA

Quality Grade 8e25 DIN 3961/3967 (AGMA Q9)



DIN 3967 Tooth Thickness tol.

Part Number		No. of Teeth <i>z</i>	Ref. Dia. <i>d</i>	Tip Dia. <i>d_a</i>	Bore H7 <i>d_j</i>	Max. Bore H7 <i>d_j</i>	Hub Dia. <i>BD</i>
Delrin POM	PEEK GF30°						
PSG3.0-18DL	PSG3.0-18PK	18	54	60	14	25	45
PSG3.0-19DL	PSG3.0-19PK	19	57	63	14	25	45
PSG3.0-20DL	PSG3.0-20PK	20	60	66	14	25	45
PSG3.0-21DL	PSG3.0-21PK	21	63	69	16	30	55
PSG3.0-22DL	PSG3.0-22PK	22	66	72	16	30	55
PSG3.0-23DL	PSG3.0-23PK	23	69	75	16	30	55
PSG3.0-24DL	PSG3.0-24PK	24	72	78	16	30	55
PSG3.0-25DL	PSG3.0-25PK	25	75	81	16	30	55
PSG3.0-26DL	PSG3.0-26PK	26	78	84	16	30	55
PSG3.0-27DL	PSG3.0-27PK	27	81	87	16	30	55
PSG3.0-28DL	PSG3.0-28PK	28	84	90	16	30	55
PSG3.0-29DL	PSG3.0-29PK	29	87	93	18	40	70
PSG3.0-30DL	PSG3.0-30PK	30	90	96	18	40	70
PSG3.0-32DL	PSG3.0-32PK	32	96	102	18	40	70
PSG3.0-35DL	PSG3.0-35PK	35	105	111	18	40	70
PSG3.0-38DL	PSG3.0-38PK	38	114	120	18	40	70
PSG3.0-40DL	PSG3.0-40PK	40	120	126	18	40	70
PSG3.0-42DL	PSG3.0-42PK	42	126	132	18	40	80
PSG3.0-45DL	PSG3.0-45PK	45	135	141	18	40	80
PSG3.0-48DL	PSG3.0-48PK	48	144	150	18	40	80

PSG-DL
PSG-PK
3.0m_n

PRECISION GEARS

3.0 Module Plastic Spur Gear α 20° PA

Quality Grade 8e25 DIN 3961/3967 (AGMA Q9)

Standard Part **PSG** **3.0** **40** **DL**

Modified Part **PSG** **3.0** **40** **PK** **25** **K** **T**

PSG - Precision Spur Gear
Quality Grade 7e DIN 3961/3967
Other Quality Grades available.
See Technical

m_n Module - Cut with DIN 867 1.25/0.20/1.0
Ref. Tooth Profile Topping WD = 2.25 x m_n

Number of Teeth **z**

DL = Delrin POM (White)
PK = PEEK GF30® (Light Brown)

T = 1 x Tapped hole **2T** = 2 x Tapped holes
P = 1 x Pin Hole **PT** = 1 x Pin Hole through
All threads metric as standard.
See Technical

K - Keyway supplied to
DIN 6885 - Js9 tolerance.
See Technical

To specify different bore enter size required
Example: 25 = 25mm H7 etc
See Technical

η_z Meshing Efficiency approx. 98%

Part Number Delrin POM	Backlash (mm) j _{t,e} (max) j _{t,i} (min)	Inertia kgm ²	Mass kg	Torque T ₂ Nm n ₂ 100 Rpm	Part Number PEEK GF30®	Backlash (mm) j _{t,e} (max) j _{t,i} (min)	Inertia kgm ²	Mass kg	Torque T ₂ Nm n ₂ 100 Rpm
PSG3.0-18DL	0.171 - 0.069	5.33 x 10 ⁻⁵	0.150	6.63	PSG3.0-18PK	0.171 - 0.069	5.64 x 10 ⁻⁵	0.158	7.50
PSG3.0-19DL	0.171 - 0.069	6.19 x 10 ⁻⁵	0.161	7.46	PSG3.0-19PK	0.171 - 0.069	6.54 x 10 ⁻⁵	0.170	8.45
PSG3.0-20DL	0.171 - 0.069	7.19 x 10 ⁻⁵	0.172	8.35	PSG3.0-20PK	0.171 - 0.069	7.60 x 10 ⁻⁵	0.182	9.45
PSG3.0-21DL	0.171 - 0.069	1.04 x 10 ⁻⁴	0.214	9.30	PSG3.0-21PK	0.171 - 0.069	1.10 x 10 ⁻⁴	0.226	10.53
PSG3.0-22DL	0.171 - 0.069	1.18 x 10 ⁻⁴	0.226	10.31	PSG3.0-22PK	0.171 - 0.069	1.24 x 10 ⁻⁴	0.239	11.67
PSG3.0-23DL	0.171 - 0.069	1.33 x 10 ⁻⁴	0.240	11.38	PSG3.0-23PK	0.171 - 0.069	1.40 x 10 ⁻⁴	0.253	12.88
PSG3.0-24DL	0.171 - 0.069	1.50 x 10 ⁻⁴	0.254	12.51	PSG3.0-24PK	0.171 - 0.069	1.59 x 10 ⁻⁴	0.268	14.15
PSG3.0-25DL	0.171 - 0.069	1.70 x 10 ⁻⁴	0.268	13.70	PSG3.0-25PK	0.171 - 0.069	1.80 x 10 ⁻⁴	0.283	15.50
PSG3.0-26DL	0.171 - 0.069	1.92 x 10 ⁻⁴	0.283	14.96	PSG3.0-26PK	0.171 - 0.069	2.03 x 10 ⁻⁴	0.299	16.92
PSG3.0-27DL	0.173 - 0.067	2.17 x 10 ⁻⁴	0.299	16.28	PSG3.0-27PK	0.173 - 0.067	2.29 x 10 ⁻⁴	0.316	18.42
PSG3.0-28DL	0.173 - 0.067	2.45 x 10 ⁻⁴	0.315	17.66	PSG3.0-28PK	0.173 - 0.067	2.59 x 10 ⁻⁴	0.333	19.99
PSG3.0-29DL	0.173 - 0.067	3.37 x 10 ⁻⁴	0.390	19.12	PSG3.0-29PK	0.173 - 0.067	3.56 x 10 ⁻⁴	0.412	21.63
PSG3.0-30DL	0.173 - 0.067	3.71 x 10 ⁻⁴	0.407	20.63	PSG3.0-30PK	0.173 - 0.067	3.92 x 10 ⁻⁴	0.431	23.35
PSG3.0-32DL	0.173 - 0.067	4.51 x 10 ⁻⁴	0.444	23.88	PSG3.0-32PK	0.173 - 0.067	4.77 x 10 ⁻⁴	0.469	27.01
PSG3.0-35DL	0.173 - 0.067	6.02 x 10 ⁻⁴	0.504	29.26	PSG3.0-35PK	0.173 - 0.067	6.36 x 10 ⁻⁴	0.532	33.11
PSG3.0-38DL	0.173 - 0.067	7.97 x 10 ⁻⁴	0.569	35.30	PSG3.0-38PK	0.173 - 0.067	8.42 x 10 ⁻⁴	0.601	39.93
PSG3.0-40DL	0.173 - 0.067	9.55 x 10 ⁻⁴	0.615	39.69	PSG3.0-40PK	0.173 - 0.067	1.01 x 10 ⁻³	0.650	44.90
PSG3.0-42DL	0.227 - 0.097	1.21 x 10 ⁻³	0.714	44.38	PSG3.0-42PK	0.227 - 0.097	1.28 x 10 ⁻³	0.754	50.21
PSG3.0-45DL	0.227 - 0.097	1.54 x 10 ⁻³	0.791	52.00	PSG3.0-45PK	0.227 - 0.097	1.63 x 10 ⁻³	0.836	58.84
PSG3.0-48DL	0.227 - 0.097	1.94 x 10 ⁻³	0.874	60.33	PSG3.0-48PK	0.227 - 0.097	2.05 x 10 ⁻³	0.924	68.26