

PSG-S
PSG-SL
0.5m_n

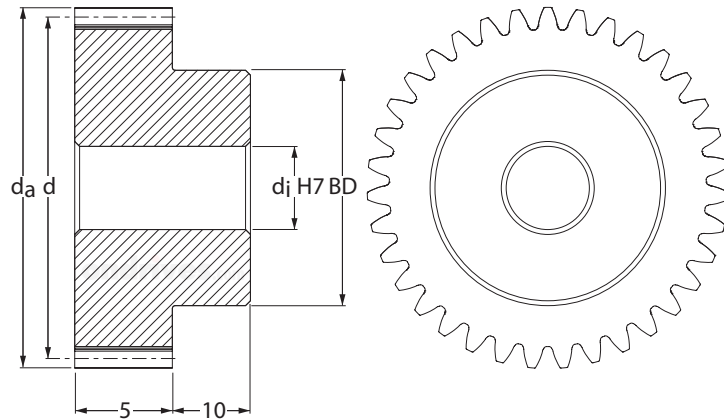
PRECISION GEARS

0.5 Module Stainless Steel Spur Gear α 20° PA

Quality Grade 7e DIN 3961/58405 (AGMA Q10)



DIN 58405 Tooth Thickness tol.



Part Number		No. of Teeth	Ref. Dia.	Tip Dia.	Bore H7	Max. Bore H7	Hub Dia.
303 Stainless	316 Stainless	<i>z</i>	<i>d</i>	<i>d_a</i>	<i>d_j</i>	<i>d_j</i>	<i>BD</i>
PSG0.5-18S	PSG0.5-18SL	18	9.0	10.0	3	3	7
PSG0.5-19S	PSG0.5-19SL	19	9.5	10.5	4	4	8
PSG0.5-20S	PSG0.5-20SL	20	10.0	11.0	4	4	8
PSG0.5-21S	PSG0.5-21SL	21	10.5	11.5	4	4	8
PSG0.5-22S	PSG0.5-22SL	22	11.0	12.0	4	4	8
PSG0.5-23S	PSG0.5-23SL	23	11.5	12.5	4	4	8
PSG0.5-24S	PSG0.5-24SL	24	12.0	13.0	5	5	10
PSG0.5-25S	PSG0.5-25SL	25	12.5	13.5	5	5	10
PSG0.5-26S	PSG0.5-26SL	26	13.0	14.0	5	5	10
PSG0.5-27S	PSG0.5-27SL	27	13.5	14.5	5	5	10
PSG0.5-28S	PSG0.5-28SL	28	14.0	15.0	5	5	10
PSG0.5-29S	PSG0.5-29SL	29	14.5	15.5	6	6	13
PSG0.5-30S	PSG0.5-30SL	30	15.0	16.0	6	6	13
PSG0.5-32S	PSG0.5-32SL	32	16.0	17.0	6	6	13
PSG0.5-35S	PSG0.5-35SL	35	17.5	18.5	6	6	13
PSG0.5-38S	PSG0.5-38SL	38	19.0	20.0	6	8	17
PSG0.5-40S	PSG0.5-40SL	40	20.0	21.0	6	8	17
PSG0.5-42S	PSG0.5-42SL	42	21.0	22.0	6	8	17
PSG0.5-45S	PSG0.5-45SL	45	22.5	23.5	6	8	17
PSG0.5-48S	PSG0.5-48SL	48	24.0	25.0	6	8	17
PSG0.5-50S	PSG0.5-50SL	50	25.0	26.0	6	8	17
PSG0.5-52S	PSG0.5-52SL	52	26.0	27.0	6	8	17
PSG0.5-55S	PSG0.5-55SL	55	27.5	28.5	6	8	17
PSG0.5-58S	PSG0.5-58SL	58	29.0	30.0	6	8	17
PSG0.5-60S	PSG0.5-60SL	60	30.0	31.0	6	8	17
PSG0.5-62S	PSG0.5-62SL	62	31.0	32.0	8	10	20
PSG0.5-65S	PSG0.5-65SL	65	32.5	33.5	8	10	20
PSG0.5-68S	PSG0.5-68SL	68	34.0	35.0	8	10	20
PSG0.5-70S	PSG0.5-70SL	70	35.0	36.0	8	10	20
PSG0.5-72S	PSG0.5-72SL	72	36.0	37.0	8	10	20
PSG0.5-75S	PSG0.5-75SL	75	37.5	38.5	8	10	20
PSG0.5-78S	PSG0.5-78SL	78	39.0	40.0	8	10	20
PSG0.5-80S	PSG0.5-80SL	80	40.0	41.0	8	12	25
PSG0.5-82S	PSG0.5-82SL	82	41.0	42.0	8	12	25
PSG0.5-85S	PSG0.5-85SL	85	42.5	43.5	8	12	25
PSG0.5-90S	PSG0.5-90SL	90	45.0	46.0	8	12	25
PSG0.5-95S	PSG0.5-95SL	95	47.5	48.5	8	12	25
PSG0.5-100S	PSG0.5-100SL	100	50.0	51.0	10	16	30
PSG0.5-105S	PSG0.5-105SL	105	52.5	53.5	10	16	30
PSG0.5-110S	PSG0.5-110SL	110	55.0	56.0	10	16	30
PSG0.5-115S	PSG0.5-115SL	115	57.5	58.5	10	16	30
PSG0.5-120S	PSG0.5-120SL	120	60.0	61.0	10	20	35
PSG0.5-130S	PSG0.5-130SL	130	65.0	66.0	10	20	35
PSG0.5-140S	PSG0.5-140SL	140	70.0	71.0	10	20	35
PSG0.5-150S	PSG0.5-150SL	150	75.0	76.0	10	25	40
PSG0.5-160S	PSG0.5-160SL	160	80.0	81.0	10	25	40
PSG0.5-170S	PSG0.5-170SL	170	85.0	86.0	10	25	40
PSG0.5-180S	PSG0.5-180SL	180	90.0	91.0	14	30	50
PSG0.5-190S	PSG0.5-190SL	190	95.0	96.0	14	30	50
PSG0.5-200S	PSG0.5-200SL	200	100.0	101.0	14	30	50
PSG0.5-210S	PSG0.5-210SL	210	105.0	106.0	14	30	50
PSG0.5-220S	PSG0.5-220SL	220	110.0	111.0	16	40	60
PSG0.5-230S	PSG0.5-230SL	230	115.0	116.0	16	40	60
PSG0.5-240S	PSG0.5-240SL	240	120.0	121.0	16	40	60
PSG0.5-250S	PSG0.5-250SL	250	125.0	126.0	16	40	60

PSG-S
PSG-SL
0.5m_n

PRECISION GEARS

0.5 Module Stainless Steel Spur Gear α 20° PA

Quality Grade 7e DIN 3961/58405 (AGMA Q10)

Standard Part **PSG** **0.5** **50** **S**

Modified Part **PSG** **0.5** **50** **SL** **8** **K** **T**

PSG - Precision Spur Gear
Quality Grade 7e DIN 3961/58405
Other Quality Grades available.
See Technical

m_n Module - Cut with DIN 867 1.25/0.20/1.0
Ref. Tooth Profile Topping WD = 2.25 x m_n

Number of Teeth **z**

S = 303 Stainless Steel
SL = 316 Stainless Steel

T = 1 x Tapped hole **2T** = 2 x Tapped holes
P = 1 x Pin Hole **PT** = 1 x Pin Hole through
All threads metric as standard.
See Technical

K - Keyway supplied to
DIN 6885 - Js9 tolerance.
See Technical

To specify different bore enter size required
Example: 8 = 8mm H7 etc
See Technical

η_z Meshing Efficiency approx. 98%

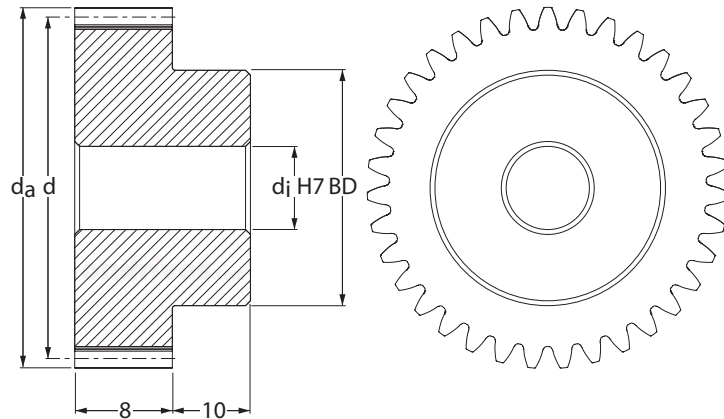
Part Number 303 Stainless	Backlash (mm)		Inertia kgm ²	Mass kg	Torque T ₂ Nm n ₂ 100 Rpm	Part Number 316 Stainless	Backlash (mm)		Inertia kgm ²	Mass kg	Torque T ₂ Nm n ₂ 100 Rpm
	j _{t,e} (max)	j _{t,i} (min)					j _{t,e} (max)	j _{t,i} (min)			
PSG0.5-18S	0.076 - 0.037	4.46 x 10 ⁻⁸	0.005	0.15	PSG0.5-18SL	0.076 - 0.037	4.46 x 10 ⁻⁸	0.005	0.12		
PSG0.5-19S	0.076 - 0.037	6.21 x 10 ⁻⁸	0.005	0.16	PSG0.5-19SL	0.076 - 0.037	6.21 x 10 ⁻⁸	0.005	0.12		
PSG0.5-20S	0.076 - 0.037	6.94 x 10 ⁻⁸	0.006	0.21	PSG0.5-20SL	0.076 - 0.037	6.94 x 10 ⁻⁸	0.006	0.17		
PSG0.5-21S	0.077 - 0.036	7.79 x 10 ⁻⁸	0.006	0.22	PSG0.5-21SL	0.077 - 0.036	7.79 x 10 ⁻⁸	0.006	0.17		
PSG0.5-22S	0.077 - 0.036	8.76 x 10 ⁻⁸	0.006	0.23	PSG0.5-22SL	0.077 - 0.036	8.76 x 10 ⁻⁸	0.006	0.18		
PSG0.5-23S	0.077 - 0.036	9.88 x 10 ⁻⁸	0.007	0.25	PSG0.5-23SL	0.077 - 0.036	9.88 x 10 ⁻⁸	0.007	0.19		
PSG0.5-24S	0.077 - 0.036	1.53 x 10 ⁻⁷	0.008	0.26	PSG0.5-24SL	0.077 - 0.036	1.53 x 10 ⁻⁷	0.008	0.20		
PSG0.5-25S	0.087 - 0.042	1.68 x 10 ⁻⁷	0.009	0.27	PSG0.5-25SL	0.087 - 0.042	1.68 x 10 ⁻⁷	0.009	0.21		
PSG0.5-26S	0.087 - 0.042	1.84 x 10 ⁻⁷	0.009	0.33	PSG0.5-26SL	0.087 - 0.042	1.84 x 10 ⁻⁷	0.009	0.25		
PSG0.5-27S	0.087 - 0.042	2.02 x 10 ⁻⁷	0.010	0.34	PSG0.5-27SL	0.087 - 0.042	2.02 x 10 ⁻⁷	0.010	0.26		
PSG0.5-28S	0.087 - 0.042	2.22 x 10 ⁻⁷	0.010	0.35	PSG0.5-28SL	0.087 - 0.042	2.22 x 10 ⁻⁷	0.010	0.27		
PSG0.5-29S	0.087 - 0.042	3.83 x 10 ⁻⁷	0.014	0.36	PSG0.5-29SL	0.087 - 0.042	3.83 x 10 ⁻⁷	0.014	0.28		
PSG0.5-30S	0.087 - 0.042	4.08 x 10 ⁻⁷	0.014	0.41	PSG0.5-30SL	0.087 - 0.042	4.08 x 10 ⁻⁷	0.014	0.32		
PSG0.5-32S	0.087 - 0.042	4.66 x 10 ⁻⁷	0.015	0.44	PSG0.5-32SL	0.087 - 0.042	4.66 x 10 ⁻⁷	0.015	0.34		
PSG0.5-35S	0.087 - 0.042	5.76 x 10 ⁻⁷	0.017	0.48	PSG0.5-35SL	0.087 - 0.042	5.76 x 10 ⁻⁷	0.017	0.38		
PSG0.5-38S	0.089 - 0.041	1.15 x 10 ⁻⁶	0.026	0.52	PSG0.5-38SL	0.089 - 0.041	1.15 x 10 ⁻⁶	0.026	0.41		
PSG0.5-40S	0.089 - 0.041	1.27 x 10 ⁻⁶	0.027	0.71	PSG0.5-40SL	0.089 - 0.041	1.27 x 10 ⁻⁶	0.027	0.55		
PSG0.5-42S	0.089 - 0.041	1.40 x 10 ⁻⁶	0.028	0.74	PSG0.5-42SL	0.089 - 0.041	1.40 x 10 ⁻⁶	0.028	0.58		
PSG0.5-45S	0.089 - 0.041	1.64 x 10 ⁻⁶	0.031	0.79	PSG0.5-45SL	0.089 - 0.041	1.64 x 10 ⁻⁶	0.031	0.62		
PSG0.5-48S	0.089 - 0.041	1.93 x 10 ⁻⁶	0.033	0.85	PSG0.5-48SL	0.089 - 0.041	1.93 x 10 ⁻⁶	0.033	0.66		
PSG0.5-50S	0.089 - 0.041	2.16 x 10 ⁻⁶	0.034	1.05	PSG0.5-50SL	0.089 - 0.041	2.16 x 10 ⁻⁶	0.034	0.81		
PSG0.5-52S	0.097 - 0.046	2.42 x 10 ⁻⁶	0.036	1.09	PSG0.5-52SL	0.097 - 0.046	2.42 x 10 ⁻⁶	0.036	0.85		
PSG0.5-55S	0.097 - 0.046	2.87 x 10 ⁻⁶	0.038	1.15	PSG0.5-55SL	0.097 - 0.046	2.87 x 10 ⁻⁶	0.038	0.90		
PSG0.5-58S	0.097 - 0.046	3.40 x 10 ⁻⁶	0.041	1.21	PSG0.5-58SL	0.097 - 0.046	3.40 x 10 ⁻⁶	0.041	0.94		
PSG0.5-60S	0.097 - 0.046	3.80 x 10 ⁻⁶	0.043	1.49	PSG0.5-60SL	0.097 - 0.046	3.80 x 10 ⁻⁶	0.043	1.16		
PSG0.5-62S	0.098 - 0.044	4.81 x 10 ⁻⁶	0.049	1.54	PSG0.5-62SL	0.098 - 0.044	4.81 x 10 ⁻⁶	0.049	1.20		
PSG0.5-65S	0.098 - 0.044	5.55 x 10 ⁻⁶	0.052	1.62	PSG0.5-65SL	0.098 - 0.044	5.55 x 10 ⁻⁶	0.052	1.26		
PSG0.5-68S	0.098 - 0.044	6.41 x 10 ⁻⁶	0.055	1.69	PSG0.5-68SL	0.098 - 0.044	6.41 x 10 ⁻⁶	0.055	1.32		
PSG0.5-70S	0.098 - 0.044	7.05 x 10 ⁻⁶	0.057	1.74	PSG0.5-70SL	0.098 - 0.044	7.05 x 10 ⁻⁶	0.057	1.36		
PSG0.5-72S	0.098 - 0.044	7.75 x 10 ⁻⁶	0.060	1.79	PSG0.5-72SL	0.098 - 0.044	7.75 x 10 ⁻⁶	0.060	1.39		
PSG0.5-75S	0.098 - 0.044	8.91 x 10 ⁻⁶	0.063	1.87	PSG0.5-75SL	0.098 - 0.044	8.91 x 10 ⁻⁶	0.063	1.45		
PSG0.5-78S	0.098 - 0.044	1.02 x 10 ⁻⁵	0.067	1.94	PSG0.5-78SL	0.098 - 0.044	1.02 x 10 ⁻⁵	0.067	1.51		
PSG0.5-80S	0.098 - 0.044	1.30 x 10 ⁻⁵	0.083	2.55	PSG0.5-80SL	0.098 - 0.044	1.30 x 10 ⁻⁵	0.083	1.98		
PSG0.5-82S	0.098 - 0.044	1.40 x 10 ⁻⁵	0.086	2.61	PSG0.5-82SL	0.098 - 0.044	1.40 x 10 ⁻⁵	0.086	2.03		
PSG0.5-85S	0.098 - 0.044	1.57 x 10 ⁻⁵	0.090	2.71	PSG0.5-85SL	0.098 - 0.044	1.57 x 10 ⁻⁵	0.090	2.11		
PSG0.5-90S	0.098 - 0.044	1.90 x 10 ⁻⁵	0.097	2.87	PSG0.5-90SL	0.098 - 0.044	1.90 x 10 ⁻⁵	0.097	2.23		
PSG0.5-95S	0.098 - 0.044	2.29 x 10 ⁻⁵	0.104	3.03	PSG0.5-95SL	0.098 - 0.044	2.29 x 10 ⁻⁵	0.104	2.36		
PSG0.5-100S	0.098 - 0.044	3.06 x 10 ⁻⁵	0.125	3.84	PSG0.5-100SL	0.098 - 0.044	3.06 x 10 ⁻⁵	0.125	2.99		
PSG0.5-105S	0.111 - 0.049	3.59 x 10 ⁻⁵	0.133	4.04	PSG0.5-105SL	0.111 - 0.049	3.59 x 10 ⁻⁵	0.133	3.14		
PSG0.5-110S	0.111 - 0.049	4.19 x 10 ⁻⁵	0.142	4.23	PSG0.5-110SL	0.111 - 0.049	4.19 x 10 ⁻⁵	0.142	3.29		
PSG0.5-115S	0.111 - 0.049	4.89 x 10 ⁻⁵	0.151	4.42	PSG0.5-115SL	0.111 - 0.049	4.89 x 10 ⁻⁵	0.151	3.44		
PSG0.5-120S	0.111 - 0.049	6.22 x 10 ⁻⁵	0.180	4.61	PSG0.5-120SL	0.111 - 0.049	6.22 x 10 ⁻⁵	0.180	3.59		
PSG0.5-130S	0.111 - 0.049	8.14 x 10 ⁻⁵	0.200	5.00	PSG0.5-130SL	0.111 - 0.049	8.14 x 10 ⁻⁵	0.200	3.89		
PSG0.5-140S	0.111 - 0.049	1.05 x 10 ⁻⁴	0.221	5.38	PSG0.5-140SL	0.111 - 0.049	1.05 x 10 ⁻⁴	0.221	4.19		
PSG0.5-150S	0.111 - 0.049	1.44 x 10 ⁻⁴	0.267	7.79	PSG0.5-150SL	0.111 - 0.049	1.44 x 10 ⁻⁴	0.267	6.06		
PSG0.5-160S	0.111 - 0.049	1.80 x 10 ⁻⁴	0.292	8.30	PSG0.5-160SL	0.111 - 0.049	1.80 x 10 ⁻⁴	0.292	6.46		
PSG0.5-170S	0.113 - 0.047	2.24 x 10 ⁻⁴	0.317	8.82	PSG0.5-170SL	0.113 - 0.047	2.24 x 10 ⁻⁴	0.317	6.86		
PSG0.5-180S	0.113 - 0.047	3.05 x 10 ⁻⁴	0.392	9.34	PSG0.5-180SL	0.113 - 0.047	3.05 x 10 ⁻⁴	0.392	7.27		
PSG0.5-190S	0.113 - 0.047	3.67 x 10 ⁻⁴	0.421	9.86	PSG0.5-190SL	0.113 - 0.047	3.67 x 10 ⁻⁴	0.421	7.67		
PSG0.5-200S	0.113 - 0.047	4.40 x 10 ⁻⁴	0.452	11.61	PSG0.5-200SL	0.113 - 0.047	4.40 x 10 ⁻⁴	0.452	9.03		
PSG0.5-210S	0.138 - 0.064	5.24 x 10 ⁻⁴	0.484	12.19	PSG0.5-210SL	0.138 - 0.064	5.24 x 10 ⁻⁴	0.484	9.48		
PSG0.5-220S	0.138 - 0.064	6.74 x 10 ⁻⁴	0.581	12.77	PSG0.5-220SL	0.138 - 0.064	6.74 x 10 ⁻⁴	0.581	9.93		
PSG0.5-230S	0.138 - 0.064	7.85 x 10 ⁻⁴	0.617	13.35	PSG0.5-230SL	0.138 - 0.064	7.85 x 10 ⁻⁴	0.617	10.38		
PSG0.5-240S	0.138 - 0.064	9.12 x 10 ⁻⁴	0.654	13.93	PSG0.5-240SL	0.138 - 0.064	9.12 x 10 ⁻⁴	0.654	10.83		
PSG0.5-250S	0.140 - 0.062	1.06 x 10 ⁻³	0.692	14.51	PSG0.5-250SL	0.140 - 0.062	1.06 x 10 ⁻³	0.692	11.29		

PSG-S
PSG-SL
0.8m_n

PRECISION GEARS

0.8 Module Stainless Steel Spur Gear α 20° PA

Quality Grade 7e DIN 3961/58405 (AGMA Q10)



DIN 58405 Tooth Thickness tol.

Part Number		No. of Teeth	Ref. Dia.	Tip Dia.	Bore H7	Max. Bore H7	Hub Dia.
303 Stainless	316 Stainless	<i>z</i>	<i>d</i>	<i>d_a</i>	<i>d_j</i>	<i>d_j</i>	<i>BD</i>
PSG0.8-18S	PSG0.8-18SL	18	14.4	16.0	5	6	11
PSG0.8-19S	PSG0.8-19SL	19	15.2	16.8	5	6	11
PSG0.8-20S	PSG0.8-20SL	20	16.0	17.6	5	6	11
PSG0.8-21S	PSG0.8-21SL	21	16.8	18.4	5	6	12
PSG0.8-22S	PSG0.8-22SL	22	17.6	19.2	5	6	12
PSG0.8-23S	PSG0.8-23SL	23	18.4	20.0	5	6	12
PSG0.8-24S	PSG0.8-24SL	24	19.2	20.8	6	8	14
PSG0.8-25S	PSG0.8-25SL	25	20.0	21.6	6	8	14
PSG0.8-26S	PSG0.8-26SL	26	20.8	22.4	6	8	14
PSG0.8-27S	PSG0.8-27SL	27	21.6	23.2	6	8	14
PSG0.8-28S	PSG0.8-28SL	28	22.4	24.0	8	10	18
PSG0.8-29S	PSG0.8-29SL	29	23.2	24.8	8	10	18
PSG0.8-30S	PSG0.8-30SL	30	24.0	25.6	8	10	18
PSG0.8-32S	PSG0.8-32SL	32	25.6	27.2	8	10	18
PSG0.8-35S	PSG0.8-35SL	35	28.0	29.6	10	12	20
PSG0.8-38S	PSG0.8-38SL	38	30.4	32.0	10	12	20
PSG0.8-40S	PSG0.8-40SL	40	32.0	33.6	10	12	20
PSG0.8-42S	PSG0.8-42SL	42	33.6	35.2	10	12	20
PSG0.8-45S	PSG0.8-45SL	45	36.0	37.6	10	12	20
PSG0.8-48S	PSG0.8-48SL	48	38.4	40.0	10	18	30
PSG0.8-50S	PSG0.8-50SL	50	40.0	41.6	10	18	30
PSG0.8-52S	PSG0.8-52SL	52	41.6	43.2	10	18	30
PSG0.8-55S	PSG0.8-55SL	55	44.0	45.6	10	18	30
PSG0.8-58S	PSG0.8-58SL	58	46.4	48.0	10	18	30
PSG0.8-60S	PSG0.8-60SL	60	48.0	49.6	10	25	40
PSG0.8-62S	PSG0.8-62SL	62	49.6	51.2	10	25	40
PSG0.8-65S	PSG0.8-65SL	65	52.0	53.6	10	25	40
PSG0.8-68S	PSG0.8-68SL	68	54.4	56.0	10	25	40
PSG0.8-70S	PSG0.8-70SL	70	56.0	57.6	10	25	40
PSG0.8-72S	PSG0.8-72SL	72	57.6	59.2	10	25	40
PSG0.8-75S	PSG0.8-75SL	75	60.0	61.6	10	30	50
PSG0.8-78S	PSG0.8-78SL	78	62.4	64.0	10	30	50
PSG0.8-80S	PSG0.8-80SL	80	64.0	65.6	10	30	50
PSG0.8-82S	PSG0.8-82SL	82	65.6	67.2	10	30	50
PSG0.8-85S	PSG0.8-85SL	85	68.0	69.6	10	30	50
PSG0.8-90S	PSG0.8-90SL	90	72.0	73.6	10	40	65
PSG0.8-95S	PSG0.8-95SL	95	76.0	77.6	10	40	65
PSG0.8-100S	PSG0.8-100SL	100	80.0	81.6	14	40	65
PSG0.8-110S	PSG0.8-110SL	110	88.0	89.6	14	40	70
PSG0.8-120S	PSG0.8-120SL	120	96.0	97.6	14	40	70

PSG-S
PSG-SL
0.8m_n

PRECISION GEARS

0.8 Module Stainless Steel Spur Gear α 20° PA

Quality Grade 7e DIN 3961/58405 (AGMA Q10)

Standard Part **PSG** **0.8** **50** **S**

Modified Part **PSG** **0.8** **50** **SL** **12** **K** **T**

PSG - Precision Spur Gear
Quality Grade 7e DIN 3961/58405
Other Quality Grades available.
See Technical

m_n Module - Cut with DIN 867 1.25/0.20/1.0
Ref. Tooth Profile Topping WD = 2.25 x m_n

Number of Teeth **z**

S = 303 Stainless Steel
SL = 316 Stainless Steel

T = 1 x Tapped hole **2T** = 2 x Tapped holes
P = 1 x Pin Hole **PT** = 1 x Pin Hole through
All threads metric as standard.
See Technical

K - Keyway supplied to
DIN 6885 - Js9 tolerance.
See Technical

To specify different bore enter size required
Example: 12 = 12mm H7 etc
See Technical

η_z Meshing Efficiency approx. 98%

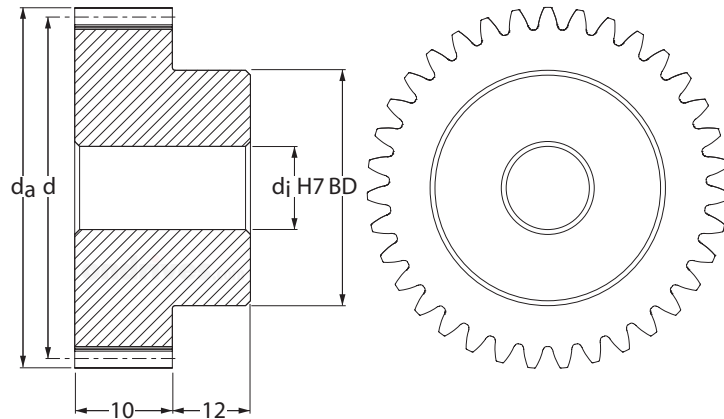
Part Number 303 Stainless	Backlash (mm)		Inertia kgm ²	Mass kg	Torque T ₂ Nm n ₂ 100 Rpm	Part Number 316 Stainless	Backlash (mm)		Inertia kgm ²	Mass kg	Torque T ₂ Nm n ₂ 100 Rpm
	j _{t,e} (max)	j _{t,i} (min)					j _{t,e} (max)	j _{t,i} (min)			
PSG0.8-18S	0.096	0.047	3.86 x 10 ⁻⁷	0.015	0.57	PSG0.8-18SL	0.096	0.047	3.86 x 10 ⁻⁷	0.015	0.44
PSG0.8-19S	0.096	0.047	4.52 x 10 ⁻⁷	0.016	0.60	PSG0.8-19SL	0.096	0.047	4.52 x 10 ⁻⁷	0.016	0.47
PSG0.8-20S	0.096	0.047	5.28 x 10 ⁻⁷	0.017	0.80	PSG0.8-20SL	0.096	0.047	5.28 x 10 ⁻⁷	0.017	0.62
PSG0.8-21S	0.096	0.047	6.65 x 10 ⁻⁷	0.020	0.84	PSG0.8-21SL	0.096	0.047	6.65 x 10 ⁻⁷	0.020	0.65
PSG0.8-22S	0.096	0.047	7.67 x 10 ⁻⁷	0.022	0.88	PSG0.8-22SL	0.096	0.047	7.67 x 10 ⁻⁷	0.022	0.68
PSG0.8-23S	0.097	0.046	8.84 x 10 ⁻⁷	0.023	0.92	PSG0.8-23SL	0.097	0.046	8.84 x 10 ⁻⁷	0.023	0.71
PSG0.8-24S	0.097	0.046	1.15 x 10 ⁻⁶	0.027	0.96	PSG0.8-24SL	0.097	0.046	1.15 x 10 ⁻⁶	0.027	0.74
PSG0.8-25S	0.097	0.046	1.30 x 10 ⁻⁶	0.028	0.99	PSG0.8-25SL	0.097	0.046	1.30 x 10 ⁻⁶	0.028	0.77
PSG0.8-26S	0.097	0.046	1.47 x 10 ⁻⁶	0.030	1.22	PSG0.8-26SL	0.097	0.046	1.47 x 10 ⁻⁶	0.030	0.95
PSG0.8-27S	0.097	0.046	1.66 x 10 ⁻⁶	0.031	1.26	PSG0.8-27SL	0.097	0.046	1.66 x 10 ⁻⁶	0.031	0.98
PSG0.8-28S	0.097	0.046	2.35 x 10 ⁻⁶	0.038	1.31	PSG0.8-28SL	0.097	0.046	2.35 x 10 ⁻⁶	0.038	1.02
PSG0.8-29S	0.097	0.046	2.59 x 10 ⁻⁶	0.040	1.36	PSG0.8-29SL	0.097	0.046	2.59 x 10 ⁻⁶	0.040	1.06
PSG0.8-30S	0.097	0.046	2.85 x 10 ⁻⁶	0.042	1.55	PSG0.8-30SL	0.097	0.046	2.85 x 10 ⁻⁶	0.042	1.20
PSG0.8-32S	0.108	0.052	3.46 x 10 ⁻⁶	0.046	1.65	PSG0.8-32SL	0.108	0.052	3.46 x 10 ⁻⁶	0.046	1.28
PSG0.8-35S	0.108	0.052	4.96 x 10 ⁻⁶	0.053	1.80	PSG0.8-35SL	0.108	0.052	4.96 x 10 ⁻⁶	0.053	1.40
PSG0.8-38S	0.109	0.050	6.45 x 10 ⁻⁶	0.060	1.96	PSG0.8-38SL	0.109	0.050	6.45 x 10 ⁻⁶	0.060	1.52
PSG0.8-40S	0.109	0.050	7.66 x 10 ⁻⁶	0.065	2.63	PSG0.8-40SL	0.109	0.050	7.66 x 10 ⁻⁶	0.065	2.05
PSG0.8-42S	0.109	0.050	9.07 x 10 ⁻⁶	0.070	2.76	PSG0.8-42SL	0.109	0.050	9.07 x 10 ⁻⁶	0.070	2.15
PSG0.8-45S	0.109	0.050	1.16 x 10 ⁻⁵	0.078	2.96	PSG0.8-45SL	0.109	0.050	1.16 x 10 ⁻⁵	0.078	2.30
PSG0.8-48S	0.109	0.050	1.98 x 10 ⁻⁵	0.119	3.16	PSG0.8-48SL	0.109	0.050	1.98 x 10 ⁻⁵	0.119	2.46
PSG0.8-50S	0.109	0.050	2.22 x 10 ⁻⁵	0.125	3.90	PSG0.8-50SL	0.109	0.050	2.22 x 10 ⁻⁵	0.125	3.03
PSG0.8-52S	0.109	0.050	2.49 x 10 ⁻⁵	0.132	4.06	PSG0.8-52SL	0.109	0.050	2.49 x 10 ⁻⁵	0.132	3.16
PSG0.8-55S	0.109	0.050	2.96 x 10 ⁻⁵	0.142	4.29	PSG0.8-55SL	0.109	0.050	2.96 x 10 ⁻⁵	0.142	3.34
PSG0.8-58S	0.109	0.050	3.51 x 10 ⁻⁵	0.153	4.53	PSG0.8-58SL	0.109	0.050	3.51 x 10 ⁻⁵	0.153	3.52
PSG0.8-60S	0.109	0.050	5.30 x 10 ⁻⁵	0.204	5.57	PSG0.8-60SL	0.109	0.050	5.30 x 10 ⁻⁵	0.204	4.33
PSG0.8-62S	0.109	0.050	5.77 x 10 ⁻⁵	0.212	5.76	PSG0.8-62SL	0.109	0.050	5.77 x 10 ⁻⁵	0.212	4.48
PSG0.8-65S	0.122	0.055	6.55 x 10 ⁻⁵	0.224	6.04	PSG0.8-65SL	0.122	0.055	6.55 x 10 ⁻⁵	0.224	4.69
PSG0.8-68S	0.122	0.055	7.45 x 10 ⁻⁵	0.237	6.31	PSG0.8-68SL	0.122	0.055	7.45 x 10 ⁻⁵	0.237	4.91
PSG0.8-70S	0.122	0.055	8.13 x 10 ⁻⁵	0.246	6.50	PSG0.8-70SL	0.122	0.055	8.13 x 10 ⁻⁵	0.246	5.06
PSG0.8-72S	0.122	0.055	8.86 x 10 ⁻⁵	0.255	6.69	PSG0.8-72SL	0.122	0.055	8.86 x 10 ⁻⁵	0.255	5.20
PSG0.8-75S	0.122	0.055	1.30 x 10 ⁻⁴	0.326	6.96	PSG0.8-75SL	0.122	0.055	1.30 x 10 ⁻⁴	0.326	5.42
PSG0.8-78S	0.122	0.055	1.43 x 10 ⁻⁴	0.340	7.24	PSG0.8-78SL	0.122	0.055	1.43 x 10 ⁻⁴	0.340	5.63
PSG0.8-80S	0.122	0.055	1.54 x 10 ⁻⁴	0.351	9.51	PSG0.8-80SL	0.122	0.055	1.54 x 10 ⁻⁴	0.351	7.40
PSG0.8-82S	0.122	0.055	1.64 x 10 ⁻⁴	0.361	9.75	PSG0.8-82SL	0.122	0.055	1.64 x 10 ⁻⁴	0.361	7.58
PSG0.8-85S	0.122	0.055	1.82 x 10 ⁻⁴	0.377	10.10	PSG0.8-85SL	0.122	0.055	1.82 x 10 ⁻⁴	0.377	7.86
PSG0.8-90S	0.122	0.055	3.08 x 10 ⁻⁴	0.513	10.70	PSG0.8-90SL	0.122	0.055	3.08 x 10 ⁻⁴	0.513	8.32
PSG0.8-95S	0.122	0.055	3.48 x 10 ⁻⁴	0.543	11.29	PSG0.8-95SL	0.122	0.055	3.48 x 10 ⁻⁴	0.543	8.78
PSG0.8-100S	0.122	0.055	3.95 x 10 ⁻⁴	0.564	14.33	PSG0.8-100SL	0.122	0.055	3.95 x 10 ⁻⁴	0.564	11.15
PSG0.8-110S	0.123	0.053	5.62 x 10 ⁻⁴	0.673	15.05	PSG0.8-110SL	0.123	0.053	5.62 x 10 ⁻⁴	0.673	11.70
PSG0.8-120S	0.123	0.053	7.18 x 10 ⁻⁴	0.747	15.77	PSG0.8-120SL	0.123	0.053	7.18 x 10 ⁻⁴	0.747	12.26

PSG-S
PSG-SL
1.0m_n

PRECISION GEARS

1.0 Module Stainless Steel Spur Gear α 20° PA

Quality Grade 7e25 DIN 3961/3967 (AGMA Q10)



DIN 3967 Tooth Thickness tol.

Part Number		No. of Teeth	Ref. Dia.	Tip Dia.	Bore H7	Max. Bore H7	Hub Dia.
303 Stainless	316 Stainless	<i>z</i>	<i>d</i>	<i>d_a</i>	<i>d_j</i>	<i>d_j</i>	<i>BD</i>
PSG1.0-15S	PSG1.0-15SL	15	15	17	5	5	12
PSG1.0-16S	PSG1.0-16SL	16	16	18	5	5	12
PSG1.0-17S	PSG1.0-17SL	17	17	19	5	5	12
PSG1.0-18S	PSG1.0-18SL	18	18	20	5	8	15
PSG1.0-19S	PSG1.0-19SL	19	19	21	5	8	15
PSG1.0-20S	PSG1.0-20SL	20	20	22	5	8	15
PSG1.0-21S	PSG1.0-21SL	21	21	23	5	8	15
PSG1.0-22S	PSG1.0-22SL	22	22	24	5	8	15
PSG1.0-23S	PSG1.0-23SL	23	23	25	5	8	15
PSG1.0-24S	PSG1.0-24SL	24	24	26	6	10	20
PSG1.0-25S	PSG1.0-25SL	25	25	27	6	10	20
PSG1.0-26S	PSG1.0-26SL	26	26	28	6	10	20
PSG1.0-27S	PSG1.0-27SL	27	27	29	6	10	20
PSG1.0-28S	PSG1.0-28SL	28	28	30	6	10	20
PSG1.0-29S	PSG1.0-29SL	29	29	31	8	12	25
PSG1.0-30S	PSG1.0-30SL	30	30	32	8	12	25
PSG1.0-32S	PSG1.0-32SL	32	32	34	8	12	25
PSG1.0-35S	PSG1.0-35SL	35	35	37	8	12	25
PSG1.0-38S	PSG1.0-38SL	38	38	40	10	18	34
PSG1.0-40S	PSG1.0-40SL	40	40	42	10	18	34
PSG1.0-42S	PSG1.0-42SL	42	42	44	10	18	34
PSG1.0-45S	PSG1.0-45SL	45	45	47	10	18	34
PSG1.0-48S	PSG1.0-48SL	48	48	50	10	18	34
PSG1.0-50S	PSG1.0-50SL	50	50	52	10	18	34
PSG1.0-52S	PSG1.0-52SL	52	52	54	10	22	40
PSG1.0-55S	PSG1.0-55SL	55	55	57	10	22	40
PSG1.0-58S	PSG1.0-58SL	58	58	60	10	22	40
PSG1.0-60S	PSG1.0-60SL	60	60	62	10	22	40
PSG1.0-62S	PSG1.0-62SL	62	62	64	10	22	40
PSG1.0-65S	PSG1.0-65SL	65	65	67	10	28	50
PSG1.0-68S	PSG1.0-68SL	68	68	70	10	28	50
PSG1.0-70S	PSG1.0-70SL	70	70	72	10	28	50
PSG1.0-72S	PSG1.0-72SL	72	72	74	10	28	50
PSG1.0-75S	PSG1.0-75SL	75	75	77	10	28	50
PSG1.0-78S	PSG1.0-78SL	78	78	80	10	35	60
PSG1.0-80S	PSG1.0-80SL	80	80	82	10	35	60
PSG1.0-82S	PSG1.0-82SL	82	82	84	10	35	60
PSG1.0-85S	PSG1.0-85SL	85	85	87	10	35	60
PSG1.0-90S	PSG1.0-90SL	90	90	92	10	35	60
PSG1.0-95S	PSG1.0-95SL	95	95	97	10	35	60
PSG1.0-100S	PSG1.0-100SL	100	100	102	14	40	70
PSG1.0-105S	PSG1.0-105SL	105	105	107	14	40	70
PSG1.0-110S	PSG1.0-110SL	110	110	112	14	40	70
PSG1.0-115S	PSG1.0-115SL	115	115	117	14	40	70
PSG1.0-120S	PSG1.0-120SL	120	120	122	14	40	70

PSG-S
PSG-SL
1.0m_n

PRECISION GEARS

1.0 Module Stainless Steel Spur Gear α 20° PA

Quality Grade 7e25 DIN 3961/3967 (AGMA Q10)

Standard Part **PSG** **1.0** **50** **S**

Modified Part **PSG** **1.0** **50** **SL** **12** **K** **T**

PSG - Precision Spur Gear
Quality Grade 7e DIN 3961/3967
Other Quality Grades available.
See Technical

m_n Module - Cut with DIN 867 1.25/0.20/1.0
Ref. Tooth Profile Topping WD = 2.25 x m_n

Number of Teeth **z**

S = 303 Stainless Steel
SL = 316 Stainless Steel

T = 1 x Tapped hole **2T** = 2 x Tapped holes
P = 1 x Pin Hole **PT** = 1 x Pin Hole through
All threads metric as standard.
See Technical

K - Keyway supplied to
DIN 6885 - Js9 tolerance.
See Technical

To specify different bore enter size required
Example: 12 = 12mm H7 etc
See Technical

η_z Meshing Efficiency approx. 98%

Part Number 303 Stainless	Backlash (mm)		Inertia kgm ²	Mass kg	Torque T ₂ Nm n ₂ 100 Rpm	Part Number 316 Stainless	Backlash (mm)		Inertia kgm ²	Mass kg	Torque T ₂ Nm n ₂ 100 Rpm
	j _{t,e} (max)	j _{t,i} (min)					j _{t,e} (max)	j _{t,i} (min)			
PSG1.0-15S	0.127	-0.053	6.08 x 10 ⁻⁷	0.021	0.88	PSG1.0-15SL	0.127	-0.053	6.08 x 10 ⁻⁷	0.021	0.69
PSG1.0-16S	0.127	-0.053	7.27 x 10 ⁻⁷	0.023	0.94	PSG1.0-16SL	0.127	-0.053	7.27 x 10 ⁻⁷	0.023	0.73
PSG1.0-17S	0.127	-0.053	8.70 x 10 ⁻⁷	0.025	1.00	PSG1.0-17SL	0.127	-0.053	8.70 x 10 ⁻⁷	0.025	0.78
PSG1.0-18S	0.127	-0.053	1.32 x 10 ⁻⁶	0.034	1.06	PSG1.0-18SL	0.127	-0.053	1.32 x 10 ⁻⁶	0.034	0.82
PSG1.0-19S	0.128	-0.052	1.52 x 10 ⁻⁶	0.036	1.12	PSG1.0-19SL	0.128	-0.052	1.52 x 10 ⁻⁶	0.036	0.87
PSG1.0-20S	0.128	-0.052	1.75 x 10 ⁻⁶	0.038	1.49	PSG1.0-20SL	0.128	-0.052	1.75 x 10 ⁻⁶	0.038	1.16
PSG1.0-21S	0.128	-0.052	2.03 x 10 ⁻⁶	0.041	1.56	PSG1.0-21SL	0.128	-0.052	2.03 x 10 ⁻⁶	0.041	1.21
PSG1.0-22S	0.128	-0.052	2.34 x 10 ⁻⁶	0.044	1.64	PSG1.0-22SL	0.128	-0.052	2.34 x 10 ⁻⁶	0.044	1.27
PSG1.0-23S	0.128	-0.052	2.69 x 10 ⁻⁶	0.046	1.71	PSG1.0-23SL	0.128	-0.052	2.69 x 10 ⁻⁶	0.046	1.33
PSG1.0-24S	0.128	-0.052	4.12 x 10 ⁻⁶	0.061	1.78	PSG1.0-24SL	0.128	-0.052	4.12 x 10 ⁻⁶	0.061	1.39
PSG1.0-25S	0.128	-0.052	4.58 x 10 ⁻⁶	0.064	1.86	PSG1.0-25SL	0.128	-0.052	4.58 x 10 ⁻⁶	0.064	1.45
PSG1.0-26S	0.128	-0.052	5.10 x 10 ⁻⁶	0.067	2.27	PSG1.0-26SL	0.128	-0.052	5.10 x 10 ⁻⁶	0.067	1.77
PSG1.0-27S	0.128	-0.052	5.68 x 10 ⁻⁶	0.070	2.36	PSG1.0-27SL	0.128	-0.052	5.68 x 10 ⁻⁶	0.070	1.84
PSG1.0-28S	0.128	-0.052	6.33 x 10 ⁻⁶	0.074	2.45	PSG1.0-28SL	0.128	-0.052	6.33 x 10 ⁻⁶	0.074	1.90
PSG1.0-29S	0.128	-0.052	9.17 x 10 ⁻⁶	0.091	2.54	PSG1.0-29SL	0.128	-0.052	9.17 x 10 ⁻⁶	0.091	1.97
PSG1.0-30S	0.128	-0.052	9.97 x 10 ⁻⁶	0.094	2.89	PSG1.0-30SL	0.128	-0.052	9.97 x 10 ⁻⁶	0.094	2.24
PSG1.0-32S	0.129	-0.051	1.18 x 10 ⁻⁵	0.102	3.08	PSG1.0-32SL	0.129	-0.051	1.18 x 10 ⁻⁵	0.102	2.39
PSG1.0-35S	0.129	-0.051	1.54 x 10 ⁻⁵	0.114	3.37	PSG1.0-35SL	0.129	-0.051	1.54 x 10 ⁻⁵	0.114	2.62
PSG1.0-38S	0.129	-0.051	2.87 x 10 ⁻⁵	0.163	3.66	PSG1.0-38SL	0.129	-0.051	2.87 x 10 ⁻⁵	0.163	2.84
PSG1.0-40S	0.129	-0.051	3.24 x 10 ⁻⁵	0.173	4.92	PSG1.0-40SL	0.129	-0.051	3.24 x 10 ⁻⁵	0.173	3.82
PSG1.0-42S	0.129	-0.051	3.67 x 10 ⁻⁵	0.183	5.16	PSG1.0-42SL	0.129	-0.051	3.67 x 10 ⁻⁵	0.183	4.02
PSG1.0-45S	0.129	-0.051	4.44 x 10 ⁻⁵	0.199	5.53	PSG1.0-45SL	0.129	-0.051	4.44 x 10 ⁻⁵	0.199	4.30
PSG1.0-48S	0.129	-0.051	5.38 x 10 ⁻⁵	0.217	5.90	PSG1.0-48SL	0.129	-0.051	5.38 x 10 ⁻⁵	0.217	4.59
PSG1.0-50S	0.129	-0.051	6.11 x 10 ⁻⁵	0.229	7.29	PSG1.0-50SL	0.129	-0.051	6.11 x 10 ⁻⁵	0.229	5.67
PSG1.0-52S	0.171	-0.069	8.09 x 10 ⁻⁵	0.275	7.58	PSG1.0-52SL	0.171	-0.069	8.09 x 10 ⁻⁵	0.275	5.90
PSG1.0-55S	0.171	-0.069	9.52 x 10 ⁻⁵	0.295	8.02	PSG1.0-55SL	0.171	-0.069	9.52 x 10 ⁻⁵	0.295	6.24
PSG1.0-58S	0.171	-0.069	1.12 x 10 ⁻⁴	0.317	8.45	PSG1.0-58SL	0.171	-0.069	1.12 x 10 ⁻⁴	0.317	6.58
PSG1.0-60S	0.171	-0.069	1.25 x 10 ⁻⁴	0.331	10.41	PSG1.0-60SL	0.171	-0.069	1.25 x 10 ⁻⁴	0.331	8.09
PSG1.0-62S	0.171	-0.069	1.39 x 10 ⁻⁴	0.347	10.75	PSG1.0-62SL	0.171	-0.069	1.39 x 10 ⁻⁴	0.347	8.36
PSG1.0-65S	0.171	-0.069	1.98 x 10 ⁻⁴	0.438	11.27	PSG1.0-65SL	0.171	-0.069	1.98 x 10 ⁻⁴	0.438	8.77
PSG1.0-68S	0.171	-0.069	2.25 x 10 ⁻⁴	0.463	11.79	PSG1.0-68SL	0.171	-0.069	2.25 x 10 ⁻⁴	0.463	9.17
PSG1.0-70S	0.171	-0.069	2.46 x 10 ⁻⁴	0.481	12.14	PSG1.0-70SL	0.171	-0.069	2.46 x 10 ⁻⁴	0.481	9.44
PSG1.0-72S	0.171	-0.069	2.68 x 10 ⁻⁴	0.498	12.49	PSG1.0-72SL	0.171	-0.069	2.68 x 10 ⁻⁴	0.498	9.71
PSG1.0-75S	0.171	-0.069	3.05 x 10 ⁻⁴	0.526	13.01	PSG1.0-75SL	0.171	-0.069	3.05 x 10 ⁻⁴	0.526	10.12
PSG1.0-78S	0.171	-0.069	4.10 x 10 ⁻⁴	0.638	13.53	PSG1.0-78SL	0.171	-0.069	4.10 x 10 ⁻⁴	0.638	10.52
PSG1.0-80S	0.171	-0.069	4.41 x 10 ⁻⁴	0.658	17.76	PSG1.0-80SL	0.171	-0.069	4.41 x 10 ⁻⁴	0.658	13.82
PSG1.0-82S	0.173	-0.067	4.74 x 10 ⁻⁴	0.678	18.21	PSG1.0-82SL	0.173	-0.067	4.74 x 10 ⁻⁴	0.678	14.16
PSG1.0-85S	0.173	-0.067	5.29 x 10 ⁻⁴	0.709	18.87	PSG1.0-85SL	0.173	-0.067	5.29 x 10 ⁻⁴	0.709	14.68
PSG1.0-90S	0.173	-0.067	6.33 x 10 ⁻⁴	0.764	19.98	PSG1.0-90SL	0.173	-0.067	6.33 x 10 ⁻⁴	0.764	15.54
PSG1.0-95S	0.173	-0.067	7.57 x 10 ⁻⁴	0.822	21.09	PSG1.0-95SL	0.173	-0.067	7.57 x 10 ⁻⁴	0.822	16.41
PSG1.0-100S	0.173	-0.067	1.01 x 10 ⁻³	0.968	23.75	PSG1.0-100SL	0.173	-0.067	1.01 x 10 ⁻³	0.968	18.76
PSG1.0-105S	0.173	-0.067	1.17 x 10 ⁻³	1.032	24.93	PSG1.0-105SL	0.173	-0.067	1.17 x 10 ⁻³	1.032	19.70
PSG1.0-110S	0.173	-0.067	1.37 x 10 ⁻³	1.099	26.12	PSG1.0-110SL	0.173	-0.067	1.37 x 10 ⁻³	1.099	20.63
PSG1.0-115S	0.173	-0.067	1.59 x 10 ⁻³	1.170	27.31	PSG1.0-115SL	0.173	-0.067	1.59 x 10 ⁻³	1.170	21.57
PSG1.0-120S	0.173	-0.067	1.84 x 10 ⁻³	1.244	28.49	PSG1.0-120SL	0.173	-0.067	1.84 x 10 ⁻³	1.244	22.51

PSG-S
PSG-SL
1.25m_n

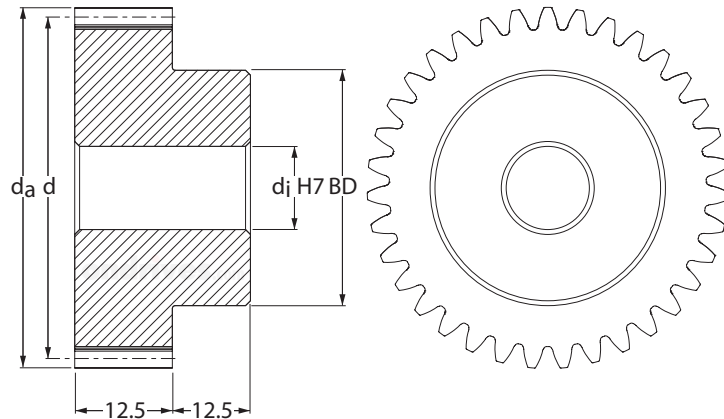
PRECISION GEARS

1.25 Module Stainless Steel Spur Gear α 20° PA

Quality Grade 7e25 DIN 3961/3967 (AGMA Q10)



DIN 3967 Tooth Thickness tol.



Part Number		No. of Teeth	Ref. Dia.	Tip Dia.	Bore H7	Max. Bore H7	Hub Dia.
303 Stainless	316 Stainless	<i>z</i>	<i>d</i>	<i>d_a</i>	<i>d_j</i>	<i>d_j</i>	<i>BD</i>
PSG1.25-18S	PSG1.25-18SL	18	22.50	25.00	6	8	15
PSG1.25-19S	PSG1.25-19SL	19	23.75	26.25	6	8	15
PSG1.25-20S	PSG1.25-20SL	20	25.00	27.50	6	8	15
PSG1.25-21S	PSG1.25-21SL	21	26.25	28.75	8	12	20
PSG1.25-22S	PSG1.25-22SL	22	27.50	30.00	8	12	20
PSG1.25-23S	PSG1.25-23SL	23	28.75	31.25	8	12	20
PSG1.25-24S	PSG1.25-24SL	24	30.00	32.50	8	12	22
PSG1.25-25S	PSG1.25-25SL	25	31.25	33.75	8	12	22
PSG1.25-26S	PSG1.25-26SL	26	32.50	35.00	8	12	22
PSG1.25-27S	PSG1.25-27SL	27	33.75	36.25	8	12	22
PSG1.25-28S	PSG1.25-28SL	28	35.00	37.50	8	15	25
PSG1.25-29S	PSG1.25-29SL	29	36.25	38.75	8	15	25
PSG1.25-30S	PSG1.25-30SL	30	37.50	40.00	8	15	25
PSG1.25-32S	PSG1.25-32SL	32	40.00	42.50	8	15	25
PSG1.25-35S	PSG1.25-35SL	35	43.75	46.25	10	18	30
PSG1.25-38S	PSG1.25-38SL	38	47.50	50.00	10	18	30
PSG1.25-40S	PSG1.25-40SL	40	50.00	52.50	10	18	30
PSG1.25-42S	PSG1.25-42SL	42	52.50	55.00	10	18	30
PSG1.25-45S	PSG1.25-45SL	45	56.25	58.75	10	18	30
PSG1.25-48S	PSG1.25-48SL	48	60.00	62.50	10	25	40
PSG1.25-50S	PSG1.25-50SL	50	62.50	65.00	10	25	40
PSG1.25-52S	PSG1.25-52SL	52	65.00	67.50	10	25	40
PSG1.25-55S	PSG1.25-55SL	55	68.75	71.25	10	25	40
PSG1.25-58S	PSG1.25-58SL	58	72.50	75.00	10	25	40
PSG1.25-60S	PSG1.25-60SL	60	75.00	77.50	10	30	50
PSG1.25-62S	PSG1.25-62SL	62	77.50	80.00	10	30	50
PSG1.25-65S	PSG1.25-65SL	65	81.25	83.75	10	30	50
PSG1.25-68S	PSG1.25-68SL	68	85.00	87.50	10	30	50
PSG1.25-70S	PSG1.25-70SL	70	87.50	90.00	10	30	50
PSG1.25-72S	PSG1.25-72SL	72	90.00	92.50	10	30	50
PSG1.25-75S	PSG1.25-75SL	75	93.75	96.25	10	35	60
PSG1.25-78S	PSG1.25-78SL	78	97.50	100.00	10	35	60
PSG1.25-80S	PSG1.25-80SL	80	100.00	102.50	10	35	60
PSG1.25-82S	PSG1.25-82SL	82	102.50	105.00	10	35	60
PSG1.25-85S	PSG1.25-85SL	85	106.25	108.75	10	35	60
PSG1.25-90S	PSG1.25-90SL	90	112.50	115.00	10	40	65
PSG1.25-95S	PSG1.25-95SL	95	118.75	121.25	10	40	65
PSG1.25-100S	PSG1.25-100SL	100	125.00	127.50	14	40	65
PSG1.25-110S	PSG1.25-110SL	110	137.50	140.00	14	40	70
PSG1.25-120S	PSG1.25-120SL	120	150.00	152.50	14	40	70

PSG-S
PSG-SL
1.25m_n

PRECISION GEARS

1.25 Module Stainless Steel Spur Gear α 20° PA

Quality Grade 7e25 DIN 3961/3967 (AGMA Q10)

Standard Part **PSG** **1.25** **50** **S**

Modified Part **PSG** **1.25** **50** **SL** **12** **K** **T**

PSG - Precision Spur Gear
Quality Grade 7e DIN 3961/3967
Other Quality Grades available.
See Technical

m_n Module - Cut with DIN 867 1.25/0.20/1.0
Ref. Tooth Profile Topping WD = 2.25 x m_n

Number of Teeth **z**

S = 303 Stainless Steel
SL = 316 Stainless Steel

T = 1 x Tapped hole **2T** = 2 x Tapped holes
P = 1 x Pin Hole **PT** = 1 x Pin Hole through
All threads metric as standard.
See Technical

K - Keyway supplied to
DIN 6885 - Js9 tolerance.
See Technical

To specify different bore enter size required
Example: 12 = 12mm H7 etc
See Technical

η_z Meshing Efficiency approx. 98%

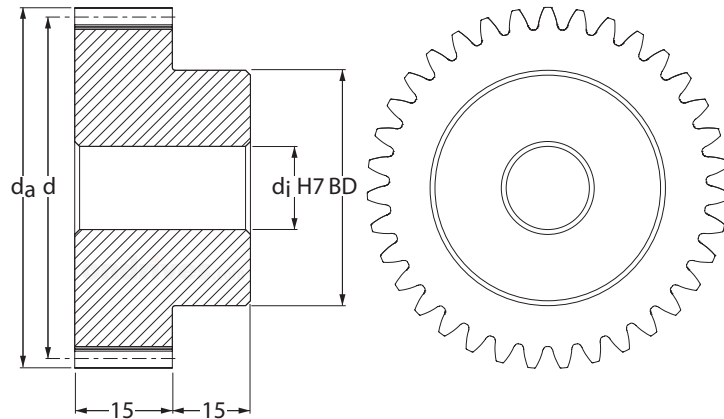
Part Number	Backlash (mm)		Inertia kgm ²	Mass kg	Torque T ₂ Nm n ₂ 100 Rpm	Part Number	Backlash (mm)		Inertia kgm ²	Mass kg	Torque T ₂ Nm n ₂ 100 Rpm
	303 Stainless	j _{t,e} (max) j _{t,i} (min)					316 Stainless	j _{t,e} (max) j _{t,i} (min)			
PSG1.25-18S	0.128 - 0.052	3.08 x 10 ⁻⁶	0.051	1.98	PSG1.25-18SL	0.128 - 0.052	3.08 x 10 ⁻⁶	0.051	1.54		
PSG1.25-19S	0.128 - 0.052	3.69 x 10 ⁻⁶	0.056	2.09	PSG1.25-19SL	0.128 - 0.052	3.69 x 10 ⁻⁶	0.056	1.62		
PSG1.25-20S	0.128 - 0.052	4.40 x 10 ⁻⁶	0.061	2.78	PSG1.25-20SL	0.128 - 0.052	4.40 x 10 ⁻⁶	0.061	2.16		
PSG1.25-21S	0.128 - 0.052	6.25 x 10 ⁻⁶	0.075	2.92	PSG1.25-21SL	0.128 - 0.052	6.25 x 10 ⁻⁶	0.075	2.27		
PSG1.25-22S	0.128 - 0.052	7.20 x 10 ⁻⁶	0.080	3.05	PSG1.25-22SL	0.128 - 0.052	7.20 x 10 ⁻⁶	0.080	2.38		
PSG1.25-23S	0.128 - 0.052	8.29 x 10 ⁻⁶	0.085	3.19	PSG1.25-23SL	0.128 - 0.052	8.29 x 10 ⁻⁶	0.085	2.48		
PSG1.25-24S	0.128 - 0.052	1.03 x 10 ⁻⁵	0.098	3.33	PSG1.25-24SL	0.128 - 0.052	1.03 x 10 ⁻⁵	0.098	2.59		
PSG1.25-25S	0.129 - 0.051	1.17 x 10 ⁻⁵	0.104	3.47	PSG1.25-25SL	0.129 - 0.051	1.17 x 10 ⁻⁵	0.104	2.70		
PSG1.25-26S	0.129 - 0.051	1.32 x 10 ⁻⁵	0.110	4.25	PSG1.25-26SL	0.129 - 0.051	1.32 x 10 ⁻⁵	0.110	3.30		
PSG1.25-27S	0.129 - 0.051	1.50 x 10 ⁻⁵	0.116	4.41	PSG1.25-27SL	0.129 - 0.051	1.50 x 10 ⁻⁵	0.116	3.43		
PSG1.25-28S	0.129 - 0.051	1.85 x 10 ⁻⁵	0.134	4.57	PSG1.25-28SL	0.129 - 0.051	1.85 x 10 ⁻⁵	0.134	3.56		
PSG1.25-29S	0.129 - 0.051	2.07 x 10 ⁻⁵	0.141	4.74	PSG1.25-29SL	0.129 - 0.051	2.07 x 10 ⁻⁵	0.141	3.68		
PSG1.25-30S	0.129 - 0.051	2.32 x 10 ⁻⁵	0.148	5.39	PSG1.25-30SL	0.129 - 0.051	2.32 x 10 ⁻⁵	0.148	4.19		
PSG1.25-32S	0.129 - 0.051	2.88 x 10 ⁻⁵	0.163	5.75	PSG1.25-32SL	0.129 - 0.051	2.88 x 10 ⁻⁵	0.163	4.47		
PSG1.25-35S	0.129 - 0.051	4.36 x 10 ⁻⁵	0.204	6.29	PSG1.25-35SL	0.129 - 0.051	4.36 x 10 ⁻⁵	0.204	4.89		
PSG1.25-38S	0.129 - 0.051	5.75 x 10 ⁻⁵	0.230	6.83	PSG1.25-38SL	0.129 - 0.051	5.75 x 10 ⁻⁵	0.230	5.31		
PSG1.25-40S	0.129 - 0.051	6.87 x 10 ⁻⁵	0.250	9.18	PSG1.25-40SL	0.129 - 0.051	6.87 x 10 ⁻⁵	0.250	7.14		
PSG1.25-42S	0.171 - 0.069	8.18 x 10 ⁻⁵	0.270	9.64	PSG1.25-42SL	0.171 - 0.069	8.18 x 10 ⁻⁵	0.270	7.50		
PSG1.25-45S	0.171 - 0.069	1.05 x 10 ⁻⁴	0.301	10.33	PSG1.25-45SL	0.171 - 0.069	1.05 x 10 ⁻⁴	0.301	8.04		
PSG1.25-48S	0.171 - 0.069	1.51 x 10 ⁻⁴	0.390	11.02	PSG1.25-48SL	0.171 - 0.069	1.51 x 10 ⁻⁴	0.390	8.57		
PSG1.25-50S	0.171 - 0.069	1.74 x 10 ⁻⁴	0.414	13.61	PSG1.25-50SL	0.171 - 0.069	1.74 x 10 ⁻⁴	0.414	10.59		
PSG1.25-52S	0.171 - 0.069	1.99 x 10 ⁻⁴	0.439	14.16	PSG1.25-52SL	0.171 - 0.069	1.99 x 10 ⁻⁴	0.439	11.01		
PSG1.25-55S	0.171 - 0.069	2.42 x 10 ⁻⁴	0.478	14.97	PSG1.25-55SL	0.171 - 0.069	2.42 x 10 ⁻⁴	0.478	11.65		
PSG1.25-58S	0.171 - 0.069	2.94 x 10 ⁻⁴	0.520	15.79	PSG1.25-58SL	0.171 - 0.069	2.94 x 10 ⁻⁴	0.520	12.28		
PSG1.25-60S	0.171 - 0.069	3.69 x 10 ⁻⁴	0.619	19.44	PSG1.25-60SL	0.171 - 0.069	3.69 x 10 ⁻⁴	0.619	15.12		
PSG1.25-62S	0.171 - 0.069	4.12 x 10 ⁻⁴	0.649	20.09	PSG1.25-62SL	0.171 - 0.069	4.12 x 10 ⁻⁴	0.649	15.62		
PSG1.25-65S	0.173 - 0.067	4.86 x 10 ⁻⁴	0.696	21.06	PSG1.25-65SL	0.173 - 0.067	4.86 x 10 ⁻⁴	0.696	16.38		
PSG1.25-68S	0.173 - 0.067	5.69 x 10 ⁻⁴	0.745	22.03	PSG1.25-68SL	0.173 - 0.067	5.69 x 10 ⁻⁴	0.745	17.14		
PSG1.25-70S	0.173 - 0.067	6.32 x 10 ⁻⁴	0.778	22.68	PSG1.25-70SL	0.173 - 0.067	6.32 x 10 ⁻⁴	0.778	17.64		
PSG1.25-72S	0.173 - 0.067	7.00 x 10 ⁻⁴	0.813	23.33	PSG1.25-72SL	0.173 - 0.067	7.00 x 10 ⁻⁴	0.813	18.14		
PSG1.25-75S	0.173 - 0.067	8.79 x 10 ⁻⁴	0.953	24.30	PSG1.25-75SL	0.173 - 0.067	8.79 x 10 ⁻⁴	0.953	18.90		
PSG1.25-78S	0.173 - 0.067	1.01 x 10 ⁻³	1.009	25.27	PSG1.25-78SL	0.173 - 0.067	1.01 x 10 ⁻³	1.009	19.66		
PSG1.25-80S	0.173 - 0.067	1.10 x 10 ⁻³	1.048	33.18	PSG1.25-80SL	0.173 - 0.067	1.10 x 10 ⁻³	1.048	25.81		
PSG1.25-82S	0.173 - 0.067	1.20 x 10 ⁻³	1.088	34.01	PSG1.25-82SL	0.173 - 0.067	1.20 x 10 ⁻³	1.088	26.45		
PSG1.25-85S	0.173 - 0.067	1.37 x 10 ⁻³	1.149	35.25	PSG1.25-85SL	0.173 - 0.067	1.37 x 10 ⁻³	1.149	27.42		
PSG1.25-90S	0.173 - 0.067	1.74 x 10 ⁻³	1.305	37.33	PSG1.25-90SL	0.173 - 0.067	1.74 x 10 ⁻³	1.305	29.03		
PSG1.25-95S	0.173 - 0.067	2.11 x 10 ⁻³	1.418	39.40	PSG1.25-95SL	0.173 - 0.067	2.11 x 10 ⁻³	1.418	30.64		
PSG1.25-100S	0.175 - 0.065	2.55 x 10 ⁻³	1.523	50.00	PSG1.25-100SL	0.175 - 0.065	2.55 x 10 ⁻³	1.523	38.89		
PSG1.25-110S	0.227 - 0.097	3.72 x 10 ⁻³	1.833	52.51	PSG1.25-110SL	0.227 - 0.097	3.72 x 10 ⁻³	1.833	40.84		
PSG1.25-120S	0.227 - 0.097	5.17 x 10 ⁻³	2.114	55.01	PSG1.25-120SL	0.227 - 0.097	5.17 x 10 ⁻³	2.114	42.78		

PSG-S
PSG-SL
1.5m_n

PRECISION GEARS

1.5 Module Stainless Steel Spur Gear α 20° PA

Quality Grade 7e25 DIN 3961/3967 (AGMA Q10)



DIN 3967 Tooth Thickness tol.

Part Number		No. of Teeth	Ref. Dia.	Tip Dia.	Bore H7	Max. Bore H7	Hub Dia.
303 Stainless	316 Stainless	<i>z</i>	<i>d</i>	<i>d_a</i>	<i>d_j</i>	<i>d_j</i>	<i>BD</i>
PSG1.5-18S	PSG1.5-18SL	18	27.0	30.0	6	12	22
PSG1.5-19S	PSG1.5-19SL	19	28.5	31.5	6	12	22
PSG1.5-20S	PSG1.5-20SL	20	30.0	33.0	6	12	22
PSG1.5-21S	PSG1.5-21SL	21	31.5	34.5	8	14	25
PSG1.5-22S	PSG1.5-22SL	22	33.0	36.0	8	14	25
PSG1.5-23S	PSG1.5-23SL	23	34.5	37.5	8	14	25
PSG1.5-24S	PSG1.5-24SL	24	36.0	39.0	8	14	25
PSG1.5-25S	PSG1.5-25SL	25	37.5	40.5	8	14	25
PSG1.5-26S	PSG1.5-26SL	26	39.0	42.0	8	14	25
PSG1.5-27S	PSG1.5-27SL	27	40.5	43.5	8	14	25
PSG1.5-28S	PSG1.5-28SL	28	42.0	45.0	8	14	25
PSG1.5-29S	PSG1.5-29SL	29	43.5	46.5	10	20	35
PSG1.5-30S	PSG1.5-30SL	30	45.0	48.0	10	20	35
PSG1.5-32S	PSG1.5-32SL	32	48.0	51.0	10	20	35
PSG1.5-35S	PSG1.5-35SL	35	52.5	55.5	10	20	35
PSG1.5-38S	PSG1.5-38SL	38	57.0	60.0	12	25	45
PSG1.5-40S	PSG1.5-40SL	40	60.0	63.0	12	25	45
PSG1.5-42S	PSG1.5-42SL	42	63.0	66.0	12	25	45
PSG1.5-45S	PSG1.5-45SL	45	67.5	70.5	12	25	45
PSG1.5-48S	PSG1.5-48SL	48	72.0	75.0	12	25	45
PSG1.5-50S	PSG1.5-50SL	50	75.0	78.0	14	30	55
PSG1.5-52S	PSG1.5-52SL	52	78.0	81.0	14	30	55
PSG1.5-55S	PSG1.5-55SL	55	82.5	85.5	14	30	55
PSG1.5-58S	PSG1.5-58SL	58	87.0	90.0	14	30	55
PSG1.5-60S	PSG1.5-60SL	60	90.0	93.0	14	30	55
PSG1.5-62S	PSG1.5-62SL	62	93.0	96.0	14	30	55
PSG1.5-65S	PSG1.5-65SL	65	97.5	100.5	14	30	55
PSG1.5-68S	PSG1.5-68SL	68	102.0	105.0	16	40	65
PSG1.5-70S	PSG1.5-70SL	70	105.0	108.0	16	40	65
PSG1.5-72S	PSG1.5-72SL	72	108.0	111.0	16	40	65
PSG1.5-75S	PSG1.5-75SL	75	112.5	115.5	16	40	65
PSG1.5-78S	PSG1.5-78SL	78	117.0	120.0	16	40	65
PSG1.5-80S	PSG1.5-80SL	80	120.0	123.0	16	40	65
PSG1.5-82S	PSG1.5-82SL	82	123.0	126.0	16	40	65
PSG1.5-85S	PSG1.5-85SL	85	127.5	130.5	16	40	65
PSG1.5-88S	PSG1.5-88SL	88	132.0	135.0	16	40	65
PSG1.5-90S	PSG1.5-90SL	90	135.0	138.0	16	40	65
PSG1.5-92S	PSG1.5-92SL	92	138.0	141.0	16	40	65
PSG1.5-95S	PSG1.5-95SL	95	142.5	145.5	16	40	65
PSG1.5-98S	PSG1.5-98SL	98	147.0	150.0	16	40	65

PSG-S
PSG-SL
1.5m_n

PRECISION GEARS

1.5 Module Stainless Steel Spur Gear α 20° PA

Quality Grade 7e25 DIN 3961/3967 (AGMA Q10)

Standard Part **PSG** **1.5** **50** **S**

Modified Part **PSG** **1.5** **50** **SL** **16** **K** **T**

PSG - Precision Spur Gear
Quality Grade 7e DIN 3961/3967
Other Quality Grades available.
See Technical

m_n Module - Cut with DIN 867 1.25/0.20/1.0
Ref. Tooth Profile Topping WD = 2.25 x m_n

Number of Teeth **z**

S = 303 Stainless Steel
SL = 316 Stainless Steel

T = 1 x Tapped hole **2T** = 2 x Tapped holes
P = 1 x Pin Hole **PT** = 1 x Pin Hole through
All threads metric as standard.
See Technical

K - Keyway supplied to
DIN 6885 - Js9 tolerance.
See Technical

To specify different bore enter size required
Example: 16 = 16mm H7 etc
See Technical

η_z Meshing Efficiency approx. 98%

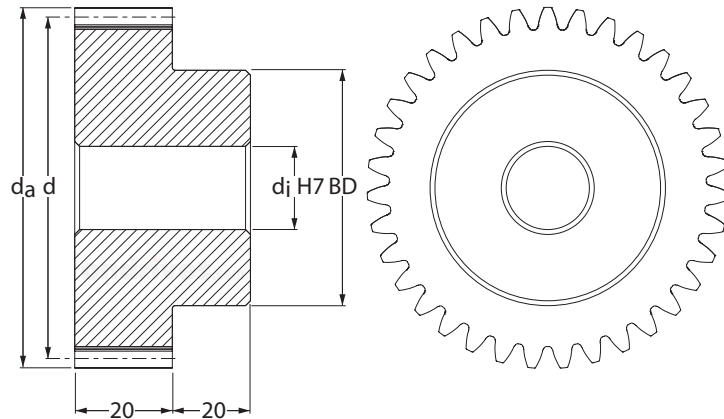
Part Number 303 Stainless	Backlash (mm)		Inertia kgm ²	Mass kg	Torque T ₂ Nm n ₂ 100 Rpm	Part Number 316 Stainless	Backlash (mm)		Inertia kgm ²	Mass kg	Torque T ₂ Nm n ₂ 100 Rpm
	j _{t,e} (max)	j _{t,i} (min)					j _{t,e} (max)	j _{t,i} (min)			
PSG1.5-18S	0.128	-0.052	9.22 x 10 ⁻⁶	0.107	3.29	PSG1.5-18SL	0.128	-0.052	9.22 x 10 ⁻⁶	0.107	2.56
PSG1.5-19S	0.128	-0.052	1.07 x 10 ⁻⁵	0.114	3.48	PSG1.5-19SL	0.128	-0.052	1.07 x 10 ⁻⁵	0.114	2.70
PSG1.5-20S	0.128	-0.052	1.25 x 10 ⁻⁵	0.123	4.63	PSG1.5-20SL	0.128	-0.052	1.25 x 10 ⁻⁵	0.123	3.60
PSG1.5-21S	0.129	-0.051	1.63 x 10 ⁻⁵	0.139	4.86	PSG1.5-21SL	0.129	-0.051	1.63 x 10 ⁻⁵	0.139	3.78
PSG1.5-22S	0.129	-0.051	1.87 x 10 ⁻⁵	0.148	5.09	PSG1.5-22SL	0.129	-0.051	1.87 x 10 ⁻⁵	0.148	3.96
PSG1.5-23S	0.129	-0.051	2.14 x 10 ⁻⁵	0.158	5.32	PSG1.5-23SL	0.129	-0.051	2.14 x 10 ⁻⁵	0.158	4.14
PSG1.5-24S	0.129	-0.051	2.45 x 10 ⁻⁵	0.168	5.55	PSG1.5-24SL	0.129	-0.051	2.45 x 10 ⁻⁵	0.168	4.32
PSG1.5-25S	0.129	-0.051	2.80 x 10 ⁻⁵	0.178	5.78	PSG1.5-25SL	0.129	-0.051	2.80 x 10 ⁻⁵	0.178	4.50
PSG1.5-26S	0.129	-0.051	3.19 x 10 ⁻⁵	0.189	7.08	PSG1.5-26SL	0.129	-0.051	3.19 x 10 ⁻⁵	0.189	5.50
PSG1.5-27S	0.129	-0.051	3.63 x 10 ⁻⁵	0.200	7.35	PSG1.5-27SL	0.129	-0.051	3.63 x 10 ⁻⁵	0.200	5.72
PSG1.5-28S	0.129	-0.051	4.13 x 10 ⁻⁵	0.211	7.62	PSG1.5-28SL	0.129	-0.051	4.13 x 10 ⁻⁵	0.211	5.93
PSG1.5-29S	0.129	-0.051	5.97 x 10 ⁻⁵	0.273	7.89	PSG1.5-29SL	0.129	-0.051	5.97 x 10 ⁻⁵	0.273	6.14
PSG1.5-30S	0.129	-0.051	6.58 x 10 ⁻⁵	0.285	8.98	PSG1.5-30SL	0.129	-0.051	6.58 x 10 ⁻⁵	0.285	6.99
PSG1.5-32S	0.129	-0.051	7.99 x 10 ⁻⁵	0.311	9.58	PSG1.5-32SL	0.129	-0.051	7.99 x 10 ⁻⁵	0.311	7.45
PSG1.5-35S	0.171	-0.069	1.07 x 10 ⁻⁴	0.354	10.48	PSG1.5-35SL	0.171	-0.069	1.07 x 10 ⁻⁴	0.354	8.15
PSG1.5-38S	0.171	-0.069	1.72 x 10 ⁻⁴	0.467	11.38	PSG1.5-38SL	0.171	-0.069	1.72 x 10 ⁻⁴	0.467	8.85
PSG1.5-40S	0.171	-0.069	2.00 x 10 ⁻⁴	0.500	15.30	PSG1.5-40SL	0.171	-0.069	2.00 x 10 ⁻⁴	0.500	11.90
PSG1.5-42S	0.171	-0.069	2.32 x 10 ⁻⁴	0.534	16.07	PSG1.5-42SL	0.171	-0.069	2.32 x 10 ⁻⁴	0.534	12.50
PSG1.5-45S	0.171	-0.069	2.91 x 10 ⁻⁴	0.589	17.21	PSG1.5-45SL	0.171	-0.069	2.91 x 10 ⁻⁴	0.589	13.39
PSG1.5-48S	0.171	-0.069	3.62 x 10 ⁻⁴	0.648	18.36	PSG1.5-48SL	0.171	-0.069	3.62 x 10 ⁻⁴	0.648	14.28
PSG1.5-50S	0.171	-0.069	4.77 x 10 ⁻⁴	0.774	22.68	PSG1.5-50SL	0.171	-0.069	4.77 x 10 ⁻⁴	0.774	17.64
PSG1.5-52S	0.171	-0.069	5.39 x 10 ⁻⁴	0.817	23.59	PSG1.5-52SL	0.171	-0.069	5.39 x 10 ⁻⁴	0.817	18.35
PSG1.5-55S	0.173	-0.067	6.48 x 10 ⁻⁴	0.885	24.95	PSG1.5-55SL	0.173	-0.067	6.48 x 10 ⁻⁴	0.885	19.40
PSG1.5-58S	0.173	-0.067	7.76 x 10 ⁻⁴	0.956	26.31	PSG1.5-58SL	0.173	-0.067	7.76 x 10 ⁻⁴	0.956	20.46
PSG1.5-60S	0.173	-0.067	8.74 x 10 ⁻⁴	1.006	32.39	PSG1.5-60SL	0.173	-0.067	8.74 x 10 ⁻⁴	1.006	25.19
PSG1.5-62S	0.173	-0.067	9.81 x 10 ⁻⁴	1.058	33.47	PSG1.5-62SL	0.173	-0.067	9.81 x 10 ⁻⁴	1.058	26.03
PSG1.5-65S	0.173	-0.067	1.16 x 10 ⁻³	1.138	35.09	PSG1.5-65SL	0.173	-0.067	1.16 x 10 ⁻³	1.138	27.29
PSG1.5-68S	0.173	-0.067	1.47 x 10 ⁻³	1.324	36.71	PSG1.5-68SL	0.173	-0.067	1.47 x 10 ⁻³	1.324	28.55
PSG1.5-70S	0.173	-0.067	1.63 x 10 ⁻³	1.383	37.79	PSG1.5-70SL	0.173	-0.067	1.63 x 10 ⁻³	1.383	29.39
PSG1.5-72S	0.173	-0.067	1.80 x 10 ⁻³	1.443	38.87	PSG1.5-72SL	0.173	-0.067	1.80 x 10 ⁻³	1.443	30.23
PSG1.5-75S	0.173	-0.067	2.08 x 10 ⁻³	1.536	40.49	PSG1.5-75SL	0.173	-0.067	2.08 x 10 ⁻³	1.536	31.49
PSG1.5-78S	0.173	-0.067	2.40 x 10 ⁻³	1.633	42.10	PSG1.5-78SL	0.173	-0.067	2.40 x 10 ⁻³	1.633	32.75
PSG1.5-80S	0.173	-0.067	2.63 x 10 ⁻³	1.700	55.28	PSG1.5-80SL	0.173	-0.067	2.63 x 10 ⁻³	1.700	43.00
PSG1.5-82S	0.175	-0.065	2.88 x 10 ⁻³	1.768	56.66	PSG1.5-82SL	0.175	-0.065	2.88 x 10 ⁻³	1.768	44.07
PSG1.5-85S	0.227	-0.097	3.30 x 10 ⁻³	1.874	58.74	PSG1.5-85SL	0.227	-0.097	3.30 x 10 ⁻³	1.874	45.68
PSG1.5-88S	0.227	-0.097	3.76 x 10 ⁻³	1.984	60.81	PSG1.5-88SL	0.227	-0.097	3.76 x 10 ⁻³	1.984	47.30
PSG1.5-90S	0.227	-0.097	4.09 x 10 ⁻³	2.059	62.19	PSG1.5-90SL	0.227	-0.097	4.09 x 10 ⁻³	2.059	48.37
PSG1.5-92S	0.227	-0.097	4.45 x 10 ⁻³	2.136	63.57	PSG1.5-92SL	0.227	-0.097	4.45 x 10 ⁻³	2.136	49.45
PSG1.5-95S	0.227	-0.097	5.03 x 10 ⁻³	2.255	65.65	PSG1.5-95SL	0.227	-0.097	5.03 x 10 ⁻³	2.255	51.06
PSG1.5-98S	0.227	-0.097	5.67 x 10 ⁻³	2.377	67.72	PSG1.5-98SL	0.227	-0.097	5.67 x 10 ⁻³	2.377	52.67

PSG-S
PSG-SL
2.0m_n

PRECISION GEARS

2.0 Module Stainless Steel Spur Gear α 20° PA

Quality Grade 7e25 DIN 3961/3967 (AGMA Q10)



DIN 3967 Tooth Thickness tol.

Part Number		No. of Teeth	Ref. Dia.	Tip Dia.	Bore H7	Max. Bore H7	Hub Dia.
303 Stainless	316 Stainless	<i>z</i>	<i>d</i>	<i>d_a</i>	<i>d_j</i>	<i>d_j</i>	<i>BD</i>
PSG2.0-18S	PSG2.0-18SL	18	36	40	10	16	30
PSG2.0-19S	PSG2.0-19SL	19	38	42	10	16	30
PSG2.0-20S	PSG2.0-20SL	20	40	44	10	16	30
PSG2.0-21S	PSG2.0-21SL	21	42	46	12	20	35
PSG2.0-22S	PSG2.0-22SL	22	44	48	12	20	35
PSG2.0-23S	PSG2.0-23SL	23	46	50	12	20	35
PSG2.0-24S	PSG2.0-24SL	24	48	52	12	20	35
PSG2.0-25S	PSG2.0-25SL	25	50	54	12	20	35
PSG2.0-26S	PSG2.0-26SL	26	52	56	12	20	35
PSG2.0-27S	PSG2.0-27SL	27	54	58	12	20	35
PSG2.0-28S	PSG2.0-28SL	28	56	60	12	20	35
PSG2.0-29S	PSG2.0-29SL	29	58	62	14	25	45
PSG2.0-30S	PSG2.0-30SL	30	60	64	14	25	45
PSG2.0-32S	PSG2.0-32SL	32	64	68	14	25	45
PSG2.0-35S	PSG2.0-35SL	35	70	74	14	25	45
PSG2.0-38S	PSG2.0-38SL	38	76	80	14	25	45
PSG2.0-40S	PSG2.0-40SL	40	80	84	16	30	55
PSG2.0-42S	PSG2.0-42SL	42	84	88	16	30	55
PSG2.0-45S	PSG2.0-45SL	45	90	94	16	30	55
PSG2.0-48S	PSG2.0-48SL	48	96	100	16	30	55
PSG2.0-50S	PSG2.0-50SL	50	100	104	20	40	65
PSG2.0-52S	PSG2.0-52SL	52	104	108	20	40	65
PSG2.0-55S	PSG2.0-55SL	55	110	114	20	40	65
PSG2.0-58S	PSG2.0-58SL	58	116	120	20	40	65
PSG2.0-60S	PSG2.0-60SL	60	120	124	20	40	65
PSG2.0-62S	PSG2.0-62SL	62	124	128	20	40	65
PSG2.0-65S	PSG2.0-65SL	65	130	134	20	40	65
PSG2.0-68S	PSG2.0-68SL	68	136	140	20	40	65
PSG2.0-70S	PSG2.0-70SL	70	140	144	20	40	65
PSG2.0-72S	PSG2.0-72SL	72	144	148	20	40	65
PSG2.0-75S	PSG2.0-75SL	75	150	154	25	40	90
PSG2.0-78S	PSG2.0-78SL	78	156	160	25	40	90
PSG2.0-80S	PSG2.0-80SL	80	160	164	25	40	90
PSG2.0-82S	PSG2.0-82SL	82	164	168	25	40	90
PSG2.0-85S	PSG2.0-85SL	85	170	174	25	50	120
PSG2.0-88S	PSG2.0-88SL	88	176	180	25	50	120
PSG2.0-90S	PSG2.0-90SL	90	180	184	25	50	120
PSG2.0-92S	PSG2.0-92SL	92	184	188	25	50	120
PSG2.0-95S	PSG2.0-95SL	95	190	194	25	50	120
PSG2.0-98S	PSG2.0-98SL	98	196	200	25	50	120

PSG-S
PSG-SL
2.0m_n

PRECISION GEARS

2.0 Module Stainless Steel Spur Gear α 20° PA

Quality Grade 7e25 DIN 3961/3967 (AGMA Q10)

Standard Part **PSG** **2.0** **50** **S**

Modified Part **PSG** **2.0** **50** **SL** **25** **K** **T**

PSG - Precision Spur Gear
Quality Grade 7e DIN 3961/3967
Other Quality Grades available.
See Technical

m_n Module - Cut with DIN 867 1.25/0.20/1.0
Ref. Tooth Profile Topping WD = 2.25 x m_n

Number of Teeth **z**

S = 303 Stainless Steel
SL = 316 Stainless Steel

T = 1 x Tapped hole **2T** = 2 x Tapped holes
P = 1 x Pin Hole **PT** = 1 x Pin Hole through
All threads metric as standard.
See Technical

K - Keyway supplied to
DIN 6885 - Js9 tolerance.
See Technical

To specify different bore enter size required
Example: 25 = 25mm H7 etc
See Technical

η_z Meshing Efficiency approx. 98%

Part Number 303 Stainless	Backlash (mm)		Inertia kgm ²	Mass kg	Torque T ₂ Nm n ₂ 100 Rpm	Part Number 316 Stainless	Backlash (mm)		Inertia kgm ²	Mass kg	Torque T ₂ Nm n ₂ 100 Rpm
	j _{t,e} (max)	j _{t,i} (min)					j _{t,e} (max)	j _{t,i} (min)			
PSG2.0-18S	0.129	-0.051	3.98 x 10 ⁻⁵	0.249	7.37	PSG2.0-18SL	0.129	-0.051	3.98 x 10 ⁻⁵	0.249	5.73
PSG2.0-19S	0.129	-0.051	4.62 x 10 ⁻⁵	0.267	7.78	PSG2.0-19SL	0.129	-0.051	4.62 x 10 ⁻⁵	0.267	6.05
PSG2.0-20S	0.129	-0.051	5.36 x 10 ⁻⁵	0.287	10.35	PSG2.0-20SL	0.129	-0.051	5.36 x 10 ⁻⁵	0.287	8.05
PSG2.0-21S	0.129	-0.051	7.28 x 10 ⁻⁵	0.337	10.87	PSG2.0-21SL	0.129	-0.051	7.28 x 10 ⁻⁵	0.337	8.46
PSG2.0-22S	0.129	-0.051	8.28 x 10 ⁻⁵	0.358	11.39	PSG2.0-22SL	0.129	-0.051	8.28 x 10 ⁻⁵	0.358	8.86
PSG2.0-23S	0.129	-0.051	9.42 x 10 ⁻⁵	0.380	11.91	PSG2.0-23SL	0.129	-0.051	9.42 x 10 ⁻⁵	0.380	9.26
PSG2.0-24S	0.129	-0.051	1.07 x 10 ⁻⁴	0.404	12.43	PSG2.0-24SL	0.129	-0.051	1.07 x 10 ⁻⁴	0.404	9.66
PSG2.0-25S	0.129	-0.051	1.22 x 10 ⁻⁴	0.428	12.94	PSG2.0-25SL	0.129	-0.051	1.22 x 10 ⁻⁴	0.428	10.07
PSG2.0-26S	0.171	-0.069	1.38 x 10 ⁻⁴	0.454	15.84	PSG2.0-26SL	0.171	-0.069	1.38 x 10 ⁻⁴	0.454	12.32
PSG2.0-27S	0.171	-0.069	1.57 x 10 ⁻⁴	0.480	16.44	PSG2.0-27SL	0.171	-0.069	1.57 x 10 ⁻⁴	0.480	12.79
PSG2.0-28S	0.171	-0.069	1.78 x 10 ⁻⁴	0.507	17.05	PSG2.0-28SL	0.171	-0.069	1.78 x 10 ⁻⁴	0.507	13.26
PSG2.0-29S	0.171	-0.069	2.41 x 10 ⁻⁴	0.623	17.66	PSG2.0-29SL	0.171	-0.069	2.41 x 10 ⁻⁴	0.623	13.74
PSG2.0-30S	0.171	-0.069	2.67 x 10 ⁻⁴	0.653	20.10	PSG2.0-30SL	0.171	-0.069	2.67 x 10 ⁻⁴	0.653	15.63
PSG2.0-32S	0.171	-0.069	3.26 x 10 ⁻⁴	0.714	21.44	PSG2.0-32SL	0.171	-0.069	3.26 x 10 ⁻⁴	0.714	16.68
PSG2.0-35S	0.171	-0.069	4.39 x 10 ⁻⁴	0.815	23.45	PSG2.0-35SL	0.171	-0.069	4.39 x 10 ⁻⁴	0.815	18.24
PSG2.0-38S	0.171	-0.069	5.84 x 10 ⁻⁴	0.924	25.46	PSG2.0-38SL	0.171	-0.069	5.84 x 10 ⁻⁴	0.924	19.80
PSG2.0-40S	0.171	-0.069	7.81 x 10 ⁻⁴	1.113	34.24	PSG2.0-40SL	0.171	-0.069	7.81 x 10 ⁻⁴	1.113	26.63
PSG2.0-42S	0.173	-0.067	9.19 x 10 ⁻⁴	1.194	35.96	PSG2.0-42SL	0.173	-0.067	9.19 x 10 ⁻⁴	1.194	27.97
PSG2.0-45S	0.173	-0.067	1.16 x 10 ⁻³	1.325	38.52	PSG2.0-45SL	0.173	-0.067	1.16 x 10 ⁻³	1.325	29.96
PSG2.0-48S	0.173	-0.067	1.47 x 10 ⁻³	1.464	41.09	PSG2.0-48SL	0.173	-0.067	1.47 x 10 ⁻³	1.464	31.96
PSG2.0-50S	0.173	-0.067	1.83 x 10 ⁻³	1.677	50.76	PSG2.0-50SL	0.173	-0.067	1.83 x 10 ⁻³	1.677	39.48
PSG2.0-52S	0.173	-0.067	2.10 x 10 ⁻³	1.779	52.79	PSG2.0-52SL	0.173	-0.067	2.10 x 10 ⁻³	1.779	41.06
PSG2.0-55S	0.173	-0.067	2.56 x 10 ⁻³	1.940	55.83	PSG2.0-55SL	0.173	-0.067	2.56 x 10 ⁻³	1.940	43.42
PSG2.0-58S	0.173	-0.067	3.10 x 10 ⁻³	2.109	58.88	PSG2.0-58SL	0.173	-0.067	3.10 x 10 ⁻³	2.109	45.79
PSG2.0-60S	0.173	-0.067	3.51 x 10 ⁻³	2.227	72.48	PSG2.0-60SL	0.173	-0.067	3.51 x 10 ⁻³	2.227	56.37
PSG2.0-62S	0.175	-0.065	3.96 x 10 ⁻³	2.350	74.90	PSG2.0-62SL	0.175	-0.065	3.96 x 10 ⁻³	2.350	58.25
PSG2.0-65S	0.227	-0.097	4.73 x 10 ⁻³	2.540	78.52	PSG2.0-65SL	0.227	-0.097	4.73 x 10 ⁻³	2.540	61.07
PSG2.0-68S	0.227	-0.097	5.61 x 10 ⁻³	2.740	82.14	PSG2.0-68SL	0.227	-0.097	5.61 x 10 ⁻³	2.740	63.89
PSG2.0-70S	0.227	-0.097	6.26 x 10 ⁻³	2.878	84.56	PSG2.0-70SL	0.227	-0.097	6.26 x 10 ⁻³	2.878	65.77
PSG2.0-72S	0.227	-0.097	6.98 x 10 ⁻³	3.021	86.98	PSG2.0-72SL	0.227	-0.097	6.98 x 10 ⁻³	3.021	67.65
PSG2.0-75S	0.227	-0.097	8.91 x 10 ⁻³	3.672	90.60	PSG2.0-75SL	0.227	-0.097	8.91 x 10 ⁻³	3.672	70.47
PSG2.0-78S	0.227	-0.097	1.02 x 10 ⁻²	3.902	94.22	PSG2.0-78SL	0.227	-0.097	1.02 x 10 ⁻²	3.902	73.28
PSG2.0-80S	0.227	-0.097	1.12 x 10 ⁻²	4.060	123.71	PSG2.0-80SL	0.227	-0.097	1.12 x 10 ⁻²	4.060	96.22
PSG2.0-82S	0.227	-0.097	1.23 x 10 ⁻²	4.223	126.80	PSG2.0-82SL	0.227	-0.097	1.23 x 10 ⁻²	4.223	98.62
PSG2.0-85S	0.227	-0.097	1.63 x 10 ⁻²	5.265	131.44	PSG2.0-85SL	0.227	-0.097	1.63 x 10 ⁻²	5.265	102.23
PSG2.0-88S	0.227	-0.097	1.82 x 10 ⁻²	5.525	136.08	PSG2.0-88SL	0.227	-0.097	1.82 x 10 ⁻²	5.525	105.84
PSG2.0-90S	0.227	-0.097	1.96 x 10 ⁻²	5.704	139.17	PSG2.0-90SL	0.227	-0.097	1.96 x 10 ⁻²	5.704	108.25
PSG2.0-92S	0.229	-0.095	2.11 x 10 ⁻²	5.886	142.27	PSG2.0-92SL	0.229	-0.095	2.11 x 10 ⁻²	5.886	110.65
PSG2.0-95S	0.229	-0.095	2.36 x 10 ⁻²	6.168	146.90	PSG2.0-95SL	0.229	-0.095	2.36 x 10 ⁻²	6.168	114.26
PSG2.0-98S	0.229	-0.095	2.63 x 10 ⁻²	6.458	151.54	PSG2.0-98SL	0.229	-0.095	2.63 x 10 ⁻²	6.458	117.87

PSG-S
PSG-SL
2.5m_n

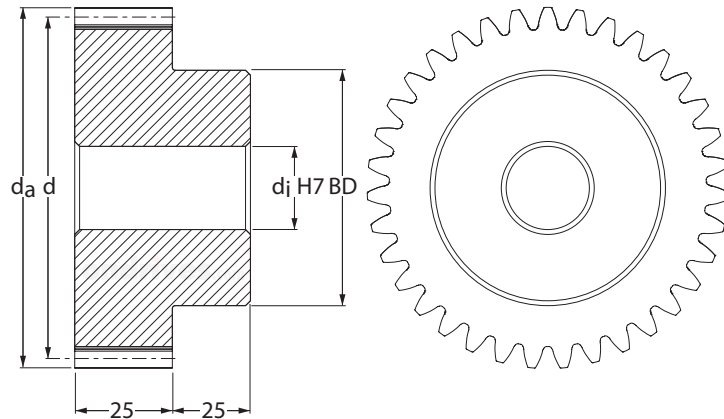
PRECISION GEARS

2.5 Module Stainless Steel Spur Gear α 20° PA

Quality Grade 7e25 DIN 3961/3967 (AGMA Q10)



DIN 3967 Tooth Thickness tol.



Part Number		No. of Teeth	Ref. Dia.	Tip Dia.	Bore H7	Max. Bore H7	Hub Dia.
303 Stainless	316 Stainless	<i>z</i>	<i>d</i>	<i>d_a</i>	<i>d_j</i>	<i>d_j</i>	<i>BD</i>
PSG2.5-18S	PSG2.5-18SL	18	45.0	50.0	14	18	35
PSG2.5-19S	PSG2.5-19SL	19	47.5	52.5	14	18	35
PSG2.5-20S	PSG2.5-20SL	20	50.0	55.0	14	18	35
PSG2.5-21S	PSG2.5-21SL	21	52.5	57.5	14	18	35
PSG2.5-22S	PSG2.5-22SL	22	55.0	60.0	14	18	35
PSG2.5-23S	PSG2.5-23SL	23	57.5	62.5	16	25	45
PSG2.5-24S	PSG2.5-24SL	24	60.0	65.0	16	25	45
PSG2.5-25S	PSG2.5-25SL	25	62.5	67.5	16	25	45
PSG2.5-26S	PSG2.5-26SL	26	65.0	70.0	16	25	45
PSG2.5-27S	PSG2.5-27SL	27	67.5	72.5	16	25	45
PSG2.5-28S	PSG2.5-28SL	28	70.0	75.0	16	25	45
PSG2.5-29S	PSG2.5-29SL	29	72.5	77.5	18	35	55
PSG2.5-30S	PSG2.5-30SL	30	75.0	80.0	18	35	55
PSG2.5-32S	PSG2.5-32SL	32	80.0	85.0	18	35	55
PSG2.5-35S	PSG2.5-35SL	35	87.5	92.5	18	35	55
PSG2.5-38S	PSG2.5-38SL	38	95.0	100.0	20	40	70
PSG2.5-40S	PSG2.5-40SL	40	100.0	105.0	20	40	70
PSG2.5-42S	PSG2.5-42SL	42	105.0	110.0	20	40	70
PSG2.5-45S	PSG2.5-45SL	45	112.5	117.5	20	40	70
PSG2.5-48S	PSG2.5-48SL	48	120.0	125.0	20	40	70
PSG2.5-50S	PSG2.5-50SL	50	125.0	130.0	20	40	70
PSG2.5-52S	PSG2.5-52SL	52	130.0	135.0	20	40	70
PSG2.5-55S	PSG2.5-55SL	55	137.5	142.5	20	40	70
PSG2.5-58S	PSG2.5-58SL	58	145.0	150.0	20	40	70
PSG2.5-60S	PSG2.5-60SL	60	150.0	155.0	20	50	80
PSG2.5-62S	PSG2.5-62SL	62	155.0	160.0	20	50	90
PSG2.5-65S	PSG2.5-65SL	65	162.5	167.5	20	50	100
PSG2.5-68S	PSG2.5-68SL	68	170.0	175.0	20	50	100
PSG2.5-70S	PSG2.5-70SL	70	175.0	180.0	25	50	100
PSG2.5-72S	PSG2.5-72SL	72	180.0	185.0	25	50	150
PSG2.5-75S	PSG2.5-75SL	75	187.5	192.5	25	50	150
PSG2.5-78S	PSG2.5-78SL	78	195.0	200.0	25	50	150
PSG2.5-80S	PSG2.5-80SL	80	200.0	205.0	25	50	150
PSG2.5-82S	PSG2.5-82SL	82	205.0	210.0	25	50	150
PSG2.5-85S	PSG2.5-85SL	85	212.5	217.5	25	50	150
PSG2.5-88S	PSG2.5-88SL	88	220.0	225.0	25	50	150
PSG2.5-90S	PSG2.5-90SL	90	225.0	230.0	25	50	170
PSG2.5-92S	PSG2.5-92SL	92	230.0	235.0	25	50	170
PSG2.5-95S	PSG2.5-95SL	95	237.5	242.5	25	50	170
PSG2.5-98S	PSG2.5-98SL	98	245.0	250.0	25	50	170

PSG-S
PSG-SL
2.5m_n

PRECISION GEARS

2.5 Module Stainless Steel Spur Gear α 20° PA

Quality Grade 7e25 DIN 3961/3967 (AGMA Q10)

Standard Part **PSG** **2.5** **50** **S**

Modified Part **PSG** **2.5** **50** **SL** **25** **K** **T**

PSG - Precision Spur Gear
Quality Grade 7e DIN 3961/3967
Other Quality Grades available.
See Technical

m_n Module - Cut with DIN 867 1.25/0.20/1.0
Ref. Tooth Profile Topping WD = 2.25 x m_n

Number of Teeth **z**

S = 303 Stainless Steel
SL = 316 Stainless Steel

T = 1 x Tapped hole **2T** = 2 x Tapped holes
P = 1 x Pin Hole **PT** = 1 x Pin Hole through
All threads metric as standard.
See Technical

K- Keyway supplied to
DIN 6885 - Js9 tolerance.
See Technical

To specify different bore enter size required
Example: 25 = 25mm H7 etc
See Technical

η_z Meshing Efficiency approx. 98%

Part Number 303 Stainless	Backlash (mm)		Inertia kgm ²	Mass kg	Torque T ₂ Nm n ₂ 100 Rpm	Part Number 316 Stainless	Backlash (mm)		Inertia kgm ²	Mass kg	Torque T ₂ Nm n ₂ 100 Rpm
	j _{t,e} (max)	j _{t,i} (min)					j _{t,e} (max)	j _{t,i} (min)			
PSG2.5-18S	0.129	-0.051	1.11 x 10 ⁻⁴	0.445	13.77	PSG2.5-18SL	0.129	-0.051	1.11 x 10 ⁻⁴	0.445	10.71
PSG2.5-19S	0.129	-0.051	1.31 x 10 ⁻⁴	0.481	14.53	PSG2.5-19SL	0.129	-0.051	1.31 x 10 ⁻⁴	0.481	11.30
PSG2.5-20S	0.129	-0.051	1.54 x 10 ⁻⁴	0.519	19.34	PSG2.5-20SL	0.129	-0.051	1.54 x 10 ⁻⁴	0.519	15.04
PSG2.5-21S	0.171	-0.069	1.80 x 10 ⁻⁴	0.559	20.31	PSG2.5-21SL	0.171	-0.069	1.80 x 10 ⁻⁴	0.559	15.79
PSG2.5-22S	0.171	-0.069	2.11 x 10 ⁻⁴	0.600	21.27	PSG2.5-22SL	0.171	-0.069	2.11 x 10 ⁻⁴	0.600	16.55
PSG2.5-23S	0.171	-0.069	2.95 x 10 ⁻⁴	0.751	22.24	PSG2.5-23SL	0.171	-0.069	2.95 x 10 ⁻⁴	0.751	17.30
PSG2.5-24S	0.171	-0.069	3.35 x 10 ⁻⁴	0.796	23.21	PSG2.5-24SL	0.171	-0.069	3.35 x 10 ⁻⁴	0.796	18.05
PSG2.5-25S	0.171	-0.069	3.80 x 10 ⁻⁴	0.844	24.18	PSG2.5-25SL	0.171	-0.069	3.80 x 10 ⁻⁴	0.844	18.80
PSG2.5-26S	0.171	-0.069	4.31 x 10 ⁻⁴	0.894	29.58	PSG2.5-26SL	0.171	-0.069	4.31 x 10 ⁻⁴	0.894	23.01
PSG2.5-27S	0.171	-0.069	4.87 x 10 ⁻⁴	0.945	30.72	PSG2.5-27SL	0.171	-0.069	4.87 x 10 ⁻⁴	0.945	23.89
PSG2.5-28S	0.171	-0.069	5.51 x 10 ⁻⁴	0.999	31.85	PSG2.5-28SL	0.171	-0.069	5.51 x 10 ⁻⁴	0.999	24.78
PSG2.5-29S	0.171	-0.069	7.19 x 10 ⁻⁴	1.190	32.99	PSG2.5-29SL	0.171	-0.069	7.19 x 10 ⁻⁴	1.190	25.66
PSG2.5-30S	0.171	-0.069	7.97 x 10 ⁻⁴	1.247	37.54	PSG2.5-30SL	0.171	-0.069	7.97 x 10 ⁻⁴	1.247	29.20
PSG2.5-32S	0.171	-0.069	9.78 x 10 ⁻⁴	1.368	40.05	PSG2.5-32SL	0.171	-0.069	9.78 x 10 ⁻⁴	1.368	31.15
PSG2.5-35S	0.173	-0.067	1.32 x 10 ⁻³	1.564	43.80	PSG2.5-35SL	0.173	-0.067	1.32 x 10 ⁻³	1.564	34.07
PSG2.5-38S	0.173	-0.067	2.06 x 10 ⁻³	2.048	47.55	PSG2.5-38SL	0.173	-0.067	2.06 x 10 ⁻³	2.048	36.99
PSG2.5-40S	0.173	-0.067	2.42 x 10 ⁻³	2.200	63.96	PSG2.5-40SL	0.173	-0.067	2.42 x 10 ⁻³	2.200	49.75
PSG2.5-42S	0.173	-0.067	2.84 x 10 ⁻³	2.360	67.16	PSG2.5-42SL	0.173	-0.067	2.84 x 10 ⁻³	2.360	52.24
PSG2.5-45S	0.173	-0.067	3.59 x 10 ⁻³	2.615	71.96	PSG2.5-45SL	0.173	-0.067	3.59 x 10 ⁻³	2.615	55.97
PSG2.5-48S	0.173	-0.067	4.51 x 10 ⁻³	2.887	76.75	PSG2.5-48SL	0.173	-0.067	4.51 x 10 ⁻³	2.887	59.70
PSG2.5-50S	0.175	-0.065	5.22 x 10 ⁻³	3.079	94.81	PSG2.5-50SL	0.175	-0.065	5.22 x 10 ⁻³	3.079	73.74
PSG2.5-52S	0.227	-0.097	6.03 x 10 ⁻³	3.278	98.60	PSG2.5-52SL	0.227	-0.097	6.03 x 10 ⁻³	3.278	76.69
PSG2.5-55S	0.227	-0.097	7.43 x 10 ⁻³	3.592	104.29	PSG2.5-55SL	0.227	-0.097	7.43 x 10 ⁻³	3.592	81.11
PSG2.5-58S	0.227	-0.097	9.07 x 10 ⁻³	3.923	109.97	PSG2.5-58SL	0.227	-0.097	9.07 x 10 ⁻³	3.923	85.54
PSG2.5-60S	0.227	-0.097	1.07 x 10 ⁻²	4.390	135.38	PSG2.5-60SL	0.227	-0.097	1.07 x 10 ⁻²	4.390	105.30
PSG2.5-62S	0.227	-0.097	1.25 x 10 ⁻²	4.895	139.90	PSG2.5-62SL	0.227	-0.097	1.25 x 10 ⁻²	4.895	108.81
PSG2.5-65S	0.227	-0.097	1.55 x 10 ⁻²	5.566	146.66	PSG2.5-65SL	0.227	-0.097	1.55 x 10 ⁻²	5.566	114.07
PSG2.5-68S	0.227	-0.097	1.82 x 10 ⁻²	5.956	153.43	PSG2.5-68SL	0.227	-0.097	1.82 x 10 ⁻²	5.956	119.34
PSG2.5-70S	0.227	-0.097	2.02 x 10 ⁻²	6.156	157.95	PSG2.5-70SL	0.227	-0.097	2.02 x 10 ⁻²	6.156	122.85
PSG2.5-72S	0.227	-0.097	3.04 x 10 ⁻²	8.397	162.46	PSG2.5-72SL	0.227	-0.097	3.04 x 10 ⁻²	8.397	126.36
PSG2.5-75S	0.229	-0.095	3.40 x 10 ⁻²	8.828	169.23	PSG2.5-75SL	0.229	-0.095	3.40 x 10 ⁻²	8.828	131.62
PSG2.5-78S	0.229	-0.095	3.81 x 10 ⁻²	9.278	176.00	PSG2.5-78SL	0.229	-0.095	3.81 x 10 ⁻²	9.278	136.89
PSG2.5-80S	0.229	-0.095	4.11 x 10 ⁻²	9.587	231.07	PSG2.5-80SL	0.229	-0.095	4.11 x 10 ⁻²	9.587	179.72
PSG2.5-82S	0.229	-0.095	4.43 x 10 ⁻²	9.904	236.85	PSG2.5-82SL	0.229	-0.095	4.43 x 10 ⁻²	9.904	184.22
PSG2.5-85S	0.229	-0.095	4.97 x 10 ⁻²	10.394	245.52	PSG2.5-85SL	0.229	-0.095	4.97 x 10 ⁻²	10.394	190.96
PSG2.5-88S	0.229	-0.095	5.56 x 10 ⁻²	10.902	254.18	PSG2.5-88SL	0.229	-0.095	5.56 x 10 ⁻²	10.902	197.70
PSG2.5-90S	0.229	-0.095	6.63 x 10 ⁻²	12.256	259.96	PSG2.5-90SL	0.229	-0.095	6.63 x 10 ⁻²	12.256	202.19
PSG2.5-92S	0.229	-0.095	7.09 x 10 ⁻²	12.613	265.73	PSG2.5-92SL	0.229	-0.095	7.09 x 10 ⁻²	12.613	206.68
PSG2.5-95S	0.229	-0.095	7.84 x 10 ⁻²	13.162	274.40	PSG2.5-95SL	0.229	-0.095	7.84 x 10 ⁻²	13.162	213.42
PSG2.5-98S	0.229	-0.095	8.66 x 10 ⁻²	13.729	283.07	PSG2.5-98SL	0.229	-0.095	8.66 x 10 ⁻²	13.729	220.16

PSG-S
PSG-SL
3.0m_n

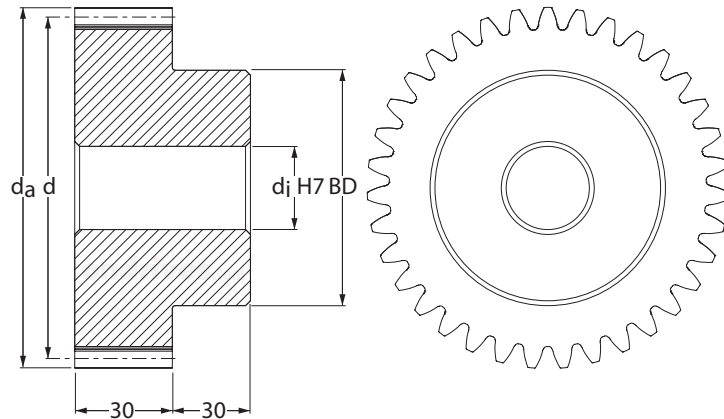
PRECISION GEARS

3.0 Module Stainless Steel Spur Gear α 20° PA

Quality Grade 7e25 DIN 3961/3967 (AGMA Q10)



DIN 3967 Tooth Thickness tol.



Part Number		No. of Teeth	Ref. Dia.	Tip Dia.	Bore H7	Max. Bore H7	Hub Dia.
303 Stainless	316 Stainless	<i>z</i>	<i>d</i>	<i>d_a</i>	<i>d_j</i>	<i>d_j</i>	<i>BD</i>
PSG3.0-18S	PSG3.0-18SL	18	54	60	14	25	45
PSG3.0-19S	PSG3.0-19SL	19	57	63	14	25	45
PSG3.0-20S	PSG3.0-20SL	20	60	66	14	25	45
PSG3.0-21S	PSG3.0-21SL	21	63	69	16	30	55
PSG3.0-22S	PSG3.0-22SL	22	66	72	16	30	55
PSG3.0-23S	PSG3.0-23SL	23	69	75	16	30	55
PSG3.0-24S	PSG3.0-24SL	24	72	78	16	30	55
PSG3.0-25S	PSG3.0-25SL	25	75	81	16	30	55
PSG3.0-26S	PSG3.0-26SL	26	78	84	16	30	55
PSG3.0-27S	PSG3.0-27SL	27	81	87	16	30	55
PSG3.0-28S	PSG3.0-28SL	28	84	90	16	30	55
PSG3.0-29S	PSG3.0-29SL	29	87	93	18	40	70
PSG3.0-30S	PSG3.0-30SL	30	90	96	18	40	70
PSG3.0-32S	PSG3.0-32SL	32	96	102	18	40	70
PSG3.0-35S	PSG3.0-35SL	35	105	111	18	40	70
PSG3.0-38S	PSG3.0-38SL	38	114	120	18	40	70
PSG3.0-40S	PSG3.0-40SL	40	120	126	18	40	70
PSG3.0-42S	PSG3.0-42SL	42	126	132	18	40	80
PSG3.0-45S	PSG3.0-45SL	45	135	141	18	40	80
PSG3.0-48S	PSG3.0-48SL	48	144	150	18	40	80
PSG3.0-50S	PSG3.0-50SL	50	150	156	20	50	90
PSG3.0-52S	PSG3.0-52SL	52	156	162	20	50	90
PSG3.0-55S	PSG3.0-55SL	55	165	171	20	50	120
PSG3.0-58S	PSG3.0-58SL	58	174	180	20	50	120
PSG3.0-60S	PSG3.0-60SL	60	180	186	20	50	120
PSG3.0-62S	PSG3.0-62SL	62	186	192	25	50	120
PSG3.0-65S	PSG3.0-65SL	65	195	201	25	50	120
PSG3.0-68S	PSG3.0-68SL	68	204	210	25	50	150
PSG3.0-70S	PSG3.0-70SL	70	210	216	25	50	150
PSG3.0-72S	PSG3.0-72SL	72	216	222	25	50	150
PSG3.0-75S	PSG3.0-75SL	75	225	231	25	50	150
PSG3.0-78S	PSG3.0-78SL	78	234	240	25	50	150
PSG3.0-80S	PSG3.0-80SL	80	240	246	30	50	200
PSG3.0-82S	PSG3.0-82SL	82	246	252	30	50	200
PSG3.0-85S	PSG3.0-85SL	85	255	261	30	50	200
PSG3.0-88S	PSG3.0-88SL	88	264	270	30	50	200
PSG3.0-90S	PSG3.0-90SL	90	270	276	30	50	200
PSG3.0-100S	PSG3.0-100SL	100	300	306	30	50	250
PSG3.0-110S	PSG3.0-110SL	110	330	336	30	50	250
PSG3.0-120S	PSG3.0-120SL	120	360	366	30	50	250
PSG3.0-130S	PSG3.0-130SL	130	390	396	30	50	250

PSG-S
PSG-SL
3.0m_n

PRECISION GEARS

3.0 Module Stainless Steel Spur Gear α 20° PA

Quality Grade 7e25 DIN 3961/3967 (AGMA Q10)

Standard Part **PSG** **3.0** **40** **S**

Modified Part **PSG** **3.0** **40** **SL** **30** **K** **T**

PSG - Precision Spur Gear
Quality Grade 7e DIN 3961/3967
Other Quality Grades available.
See Technical

m_n Module - Cut with DIN 867 1.25/0.20/1.0
Ref. Tooth Profile Topping WD = 2.25 x m_n

Number of Teeth **z**

S = 303 Stainless Steel
SL = 316 Stainless Steel

T = 1 x Tapped hole **2T** = 2 x Tapped holes
P = 1 x Pin Hole **PT** = 1 x Pin Hole through
All threads metric as standard.
See Technical

K - Keyway supplied to
DIN 6885 - Js9 tolerance.
See Technical

To specify different bore enter size required
Example: 30 = 30mm H7 etc
See Technical

η_z Meshing Efficiency approx. 98%

Part Number 303 Stainless	Backlash (mm)		Inertia kgm ²	Mass kg	Torque T ₂ Nm n ₂ 100 Rpm	Part Number 316 Stainless	Backlash (mm)		Inertia kgm ²	Mass kg	Torque T ₂ Nm n ₂ 100 Rpm
	j _{t,e} (max)	j _{t,i} (min)					j _{t,e} (max)	j _{t,i} (min)			
PSG3.0-18S	0.171	-0.069	3.03 x 10 ⁻⁴	0.851	22.94	PSG3.0-18SL	0.171	-0.069	3.03 x 10 ⁻⁴	0.851	17.84
PSG3.0-19S	0.171	-0.069	3.51 x 10 ⁻⁴	0.913	24.21	PSG3.0-19SL	0.171	-0.069	3.51 x 10 ⁻⁴	0.913	18.83
PSG3.0-20S	0.171	-0.069	4.08 x 10 ⁻⁴	0.978	32.22	PSG3.0-20SL	0.171	-0.069	4.08 x 10 ⁻⁴	0.978	25.06
PSG3.0-21S	0.171	-0.069	5.91 x 10 ⁻⁴	1.213	33.83	PSG3.0-21SL	0.171	-0.069	5.91 x 10 ⁻⁴	1.213	26.32
PSG3.0-22S	0.171	-0.069	6.67 x 10 ⁻⁴	1.285	35.45	PSG3.0-22SL	0.171	-0.069	6.67 x 10 ⁻⁴	1.285	27.57
PSG3.0-23S	0.171	-0.069	7.54 x 10 ⁻⁴	1.360	37.06	PSG3.0-23SL	0.171	-0.069	7.54 x 10 ⁻⁴	1.360	28.82
PSG3.0-24S	0.171	-0.069	8.52 x 10 ⁻⁴	1.439	38.67	PSG3.0-24SL	0.171	-0.069	8.52 x 10 ⁻⁴	1.439	30.08
PSG3.0-25S	0.171	-0.069	9.64 x 10 ⁻⁴	1.521	40.28	PSG3.0-25SL	0.171	-0.069	9.64 x 10 ⁻⁴	1.521	31.33
PSG3.0-26S	0.171	-0.069	1.09 x 10 ⁻³	1.607	49.28	PSG3.0-26SL	0.171	-0.069	1.09 x 10 ⁻³	1.607	38.33
PSG3.0-27S	0.173	-0.067	1.23 x 10 ⁻³	1.696	51.18	PSG3.0-27SL	0.173	-0.067	1.23 x 10 ⁻³	1.696	39.81
PSG3.0-28S	0.173	-0.067	1.39 x 10 ⁻³	1.789	53.07	PSG3.0-28SL	0.173	-0.067	1.39 x 10 ⁻³	1.789	41.28
PSG3.0-29S	0.173	-0.067	1.91 x 10 ⁻³	2.212	54.97	PSG3.0-29SL	0.173	-0.067	1.91 x 10 ⁻³	2.212	42.75
PSG3.0-30S	0.173	-0.067	2.11 x 10 ⁻³	2.312	62.55	PSG3.0-30SL	0.173	-0.067	2.11 x 10 ⁻³	2.312	48.65
PSG3.0-32S	0.173	-0.067	2.56 x 10 ⁻³	2.520	66.72	PSG3.0-32SL	0.173	-0.067	2.56 x 10 ⁻³	2.520	51.89
PSG3.0-35S	0.173	-0.067	3.41 x 10 ⁻³	2.859	72.98	PSG3.0-35SL	0.173	-0.067	3.41 x 10 ⁻³	2.859	56.76
PSG3.0-38S	0.173	-0.067	4.52 x 10 ⁻³	3.228	79.23	PSG3.0-38SL	0.173	-0.067	4.52 x 10 ⁻³	3.228	61.62
PSG3.0-40S	0.173	-0.067	5.42 x 10 ⁻³	3.491	106.57	PSG3.0-40SL	0.173	-0.067	5.42 x 10 ⁻³	3.491	82.89
PSG3.0-42S	0.227	-0.097	6.86 x 10 ⁻³	4.050	111.90	PSG3.0-42SL	0.227	-0.097	6.86 x 10 ⁻³	4.050	87.03
PSG3.0-45S	0.227	-0.097	8.73 x 10 ⁻³	4.490	119.89	PSG3.0-45SL	0.227	-0.097	8.73 x 10 ⁻³	4.490	93.25
PSG3.0-48S	0.227	-0.097	1.10 x 10 ⁻²	4.961	127.88	PSG3.0-48SL	0.227	-0.097	1.10 x 10 ⁻²	4.961	99.46
PSG3.0-50S	0.227	-0.097	1.34 x 10 ⁻²	5.583	161.69	PSG3.0-50SL	0.227	-0.097	1.34 x 10 ⁻²	5.583	125.76
PSG3.0-52S	0.227	-0.097	1.54 x 10 ⁻²	5.928	173.55	PSG3.0-52SL	0.227	-0.097	1.54 x 10 ⁻²	5.928	134.99
PSG3.0-55S	0.227	-0.097	2.22 x 10 ⁻²	7.657	192.05	PSG3.0-55SL	0.227	-0.097	2.22 x 10 ⁻²	7.657	149.37
PSG3.0-58S	0.227	-0.097	2.63 x 10 ⁻²	8.230	211.37	PSG3.0-58SL	0.227	-0.097	2.63 x 10 ⁻²	8.230	164.40
PSG3.0-60S	0.227	-0.097	2.94 x 10 ⁻²	8.629	224.71	PSG3.0-60SL	0.227	-0.097	2.94 x 10 ⁻²	8.629	174.78
PSG3.0-62S	0.229	-0.095	3.28 x 10 ⁻²	8.956	238.41	PSG3.0-62SL	0.229	-0.095	3.28 x 10 ⁻²	8.956	185.43
PSG3.0-65S	0.229	-0.095	3.87 x 10 ⁻²	9.600	259.64	PSG3.0-65SL	0.229	-0.095	3.87 x 10 ⁻²	9.600	201.95
PSG3.0-68S	0.229	-0.095	5.24 x 10 ⁻²	11.801	281.68	PSG3.0-68SL	0.229	-0.095	5.24 x 10 ⁻²	11.801	219.08
PSG3.0-70S	0.229	-0.095	5.74 x 10 ⁻²	12.268	296.81	PSG3.0-70SL	0.229	-0.095	5.74 x 10 ⁻²	12.268	230.85
PSG3.0-72S	0.229	-0.095	6.28 x 10 ⁻²	12.748	312.29	PSG3.0-72SL	0.229	-0.095	6.28 x 10 ⁻²	12.748	242.90
PSG3.0-75S	0.229	-0.095	7.18 x 10 ⁻²	13.493	336.18	PSG3.0-75SL	0.229	-0.095	7.18 x 10 ⁻²	13.493	261.47
PSG3.0-78S	0.229	-0.095	8.20 x 10 ⁻²	14.269	360.84	PSG3.0-78SL	0.229	-0.095	8.20 x 10 ⁻²	14.269	280.65
PSG3.0-80S	0.229	-0.095	1.15 x 10 ⁻¹	17.999	377.72	PSG3.0-80SL	0.229	-0.095	1.15 x 10 ⁻¹	17.999	293.78
PSG3.0-82S	0.229	-0.095	1.23 x 10 ⁻¹	18.547	394.93	PSG3.0-82SL	0.229	-0.095	1.23 x 10 ⁻¹	18.547	307.17
PSG3.0-85S	0.231	-0.093	1.37 x 10 ⁻¹	19.394	421.40	PSG3.0-85SL	0.231	-0.093	1.37 x 10 ⁻¹	19.394	327.76
PSG3.0-88S	0.231	-0.093	1.51 x 10 ⁻¹	20.272	448.63	PSG3.0-88SL	0.231	-0.093	1.51 x 10 ⁻¹	20.272	348.93
PSG3.0-90S	0.231	-0.093	1.62 x 10 ⁻¹	20.874	467.20	PSG3.0-90SL	0.231	-0.093	1.62 x 10 ⁻¹	20.874	363.38
PSG3.0-100S	0.289	-0.131	2.82 x 10 ⁻¹	28.330	565.08	PSG3.0-100SL	0.289	-0.131	2.82 x 10 ⁻¹	28.330	439.50
PSG3.0-110S	0.290	-0.130	3.70 x 10 ⁻¹	31.884	671.17	PSG3.0-110SL	0.290	-0.130	3.70 x 10 ⁻¹	31.884	522.02
PSG3.0-120S	0.290	-0.130	4.85 x 10 ⁻¹	35.778	775.95	PSG3.0-120SL	0.290	-0.130	4.85 x 10 ⁻¹	35.778	610.80
PSG3.0-130S	0.290	-0.130	6.34 x 10 ⁻¹	40.010	844.18	PSG3.0-130SL	0.290	-0.130	6.34 x 10 ⁻¹	40.010	666.91