

PSG
PSG-H
0.5m_n

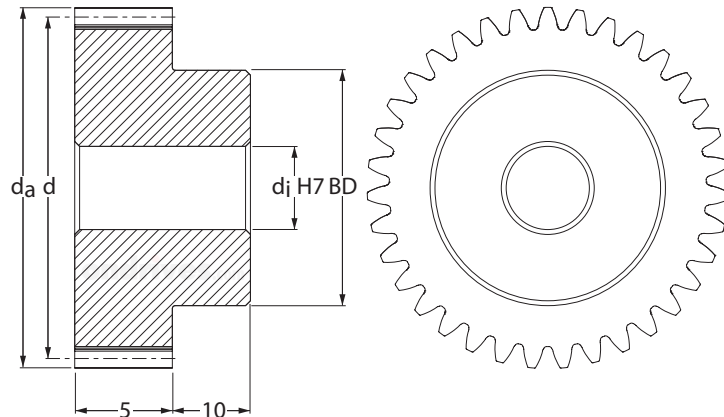
PRECISION GEARS

0.5 Module Steel Spur Gear α 20° PA

Quality Grade 7e DIN 3961/58405 (AGMA Q10)



DIN 58405 Tooth Thickness tol.



Part Number		No. of Teeth <i>z</i>	Ref. Dia. <i>d</i>	Tip Dia. <i>d_a</i>	Bore H7 <i>d_j</i>	Max. Bore H7 <i>d_j</i>	Hub Dia. <i>BD</i>
Standard 817M40T	Case Hardened 805M20						
PSG0.5-18	PSG0.5-18H	18	9.0	10.0	3	3	7
PSG0.5-19	PSG0.5-19H	19	9.5	10.5	4	4	8
PSG0.5-20	PSG0.5-20H	20	10.0	11.0	4	4	8
PSG0.5-21	PSG0.5-21H	21	10.5	11.5	4	4	8
PSG0.5-22	PSG0.5-22H	22	11.0	12.0	4	4	8
PSG0.5-23	PSG0.5-23H	23	11.5	12.5	4	4	8
PSG0.5-24	PSG0.5-24H	24	12.0	13.0	5	5	10
PSG0.5-25	PSG0.5-25H	25	12.5	13.5	5	5	10
PSG0.5-26	PSG0.5-26H	26	13.0	14.0	5	5	10
PSG0.5-27	PSG0.5-27H	27	13.5	14.5	5	5	10
PSG0.5-28	PSG0.5-28H	28	14.0	15.0	5	5	10
PSG0.5-29	PSG0.5-29H	29	14.5	15.5	6	6	13
PSG0.5-30	PSG0.5-30H	30	15.0	16.0	6	6	13
PSG0.5-32	PSG0.5-32H	32	16.0	17.0	6	6	13
PSG0.5-35	PSG0.5-35H	35	17.5	18.5	6	6	13
PSG0.5-38	PSG0.5-38H	38	19.0	20.0	6	8	17
PSG0.5-40	PSG0.5-40H	40	20.0	21.0	6	8	17
PSG0.5-42	PSG0.5-42H	42	21.0	22.0	6	8	17
PSG0.5-45	PSG0.5-45H	45	22.5	23.5	6	8	17
PSG0.5-48	PSG0.5-48H	48	24.0	25.0	6	8	17
PSG0.5-50	PSG0.5-50H	50	25.0	26.0	6	8	17
PSG0.5-52	PSG0.5-52H	52	26.0	27.0	6	8	17
PSG0.5-55	PSG0.5-55H	55	27.5	28.5	6	8	17
PSG0.5-58	PSG0.5-58H	58	29.0	30.0	6	8	17
PSG0.5-60	PSG0.5-60H	60	30.0	31.0	6	8	17
PSG0.5-62	PSG0.5-62H	62	31.0	32.0	8	10	20
PSG0.5-65	PSG0.5-65H	65	32.5	33.5	8	10	20
PSG0.5-68	PSG0.5-68H	68	34.0	35.0	8	10	20
PSG0.5-70	PSG0.5-70H	70	35.0	36.0	8	10	20
PSG0.5-72	PSG0.5-72H	72	36.0	37.0	8	10	20
PSG0.5-75	PSG0.5-75H	75	37.5	38.5	8	10	20
PSG0.5-78	PSG0.5-78H	78	39.0	40.0	8	10	20
PSG0.5-80	PSG0.5-80H	80	40.0	41.0	8	12	25
PSG0.5-82	PSG0.5-82H	82	41.0	42.0	8	12	25
PSG0.5-85	PSG0.5-85H	85	42.5	43.5	8	12	25
PSG0.5-90	PSG0.5-90H	90	45.0	46.0	8	12	25
PSG0.5-95	PSG0.5-95H	95	47.5	48.5	8	12	25
PSG0.5-100	PSG0.5-100H	100	50.0	51.0	10	16	30
PSG0.5-105	PSG0.5-105H	105	52.5	53.5	10	16	30
PSG0.5-110	PSG0.5-110H	110	55.0	56.0	10	16	30
PSG0.5-115	PSG0.5-115H	115	57.5	58.5	10	16	30
PSG0.5-120	PSG0.5-120H	120	60.0	61.0	10	20	35
PSG0.5-130	PSG0.5-130H	130	65.0	66.0	10	20	35
PSG0.5-140	PSG0.5-140H	140	70.0	71.0	10	20	35
PSG0.5-150	PSG0.5-150H	150	75.0	76.0	10	25	40
PSG0.5-160	PSG0.5-160H	160	80.0	81.0	10	25	40
PSG0.5-170	PSG0.5-170H	170	85.0	86.0	10	25	40
PSG0.5-180	PSG0.5-180H	180	90.0	91.0	14	30	50
PSG0.5-190	PSG0.5-190H	190	95.0	96.0	14	30	50
PSG0.5-200	PSG0.5-200H	200	100.0	101.0	14	30	50
PSG0.5-210	PSG0.5-210H	210	105.0	106.0	14	30	50
PSG0.5-220	PSG0.5-220H	220	110.0	111.0	16	40	60
PSG0.5-230	PSG0.5-230H	230	115.0	116.0	16	40	60
PSG0.5-240	PSG0.5-240H	240	120.0	121.0	16	40	60
PSG0.5-250	PSG0.5-250H	250	125.0	126.0	16	40	60

PSG
PSG-H
0.5m_n

PRECISION GEARS

0.5 Module Steel Spur Gear α 20° PA

Quality Grade 7e DIN 3961/58405 (AGMA Q10)

Standard Part **PSG** **0.5** **200**

Modified Part **PSG** **0.5** **200** **H** **25** **K** **T**

PSG - Precision Spur Gear
Quality Grade 7e DIN 3961/58405
Other Quality Grades available.
See Technical

m_n Module - Cut with DIN 867 1.25/0.20/1.0
Ref. Tooth Profile Topping WD = 2.25 x m_n

Number of Teeth **z**

Standard Material = 817M40T
H = 805M20 # Case Hardened

T = 1 x Tapped hole **2T** = 2 x Tapped holes
P = 1 x Pin Hole **PT** = 1 x Pin Hole through
All threads metric as standard.
See Technical

K - Keyway supplied to
DIN 6885 - Js9 tolerance.
See Technical

To specify different bore enter size required
Example: 25 = 25mm H7 etc
See Technical

Quality Grades and Tolerances stated prior to heat treatment processes.
η_z Meshing Efficiency approx. 98%

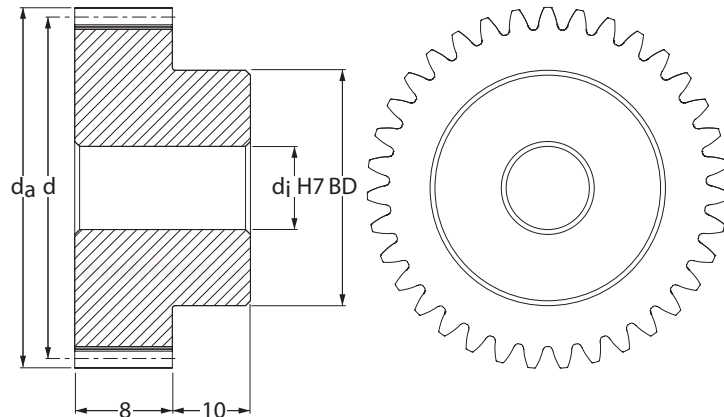
Part Number Standard 817M40T	Backlash (mm) j _{t,e} (max) j _{t,i} (min)	Inertia kgm ²	Mass kg	Torque T ₂ Nm n ₂ 100 Rpm	Part Number Case Hardened 805M20 [#]	Backlash (mm) j _{t,e} (max) j _{t,i} (min)	Inertia kgm ²	Mass kg	Torque T ₂ Nm n ₂ 100 Rpm
PSG0.5-18	0.076 - 0.037	4.38 x 10 ⁻⁸	0.005	0.25	PSG0.5-18H	0.076 - 0.037	4.38 x 10 ⁻⁸	0.005	0.93
PSG0.5-19	0.076 - 0.037	6.10 x 10 ⁻⁸	0.005	0.27	PSG0.5-19H	0.076 - 0.037	6.10 x 10 ⁻⁸	0.005	0.98
PSG0.5-20	0.076 - 0.037	6.81 x 10 ⁻⁸	0.006	0.36	PSG0.5-20H	0.076 - 0.037	6.81 x 10 ⁻⁸	0.006	1.11
PSG0.5-21	0.077 - 0.036	7.64 x 10 ⁻⁸	0.006	0.37	PSG0.5-21H	0.077 - 0.036	7.64 x 10 ⁻⁸	0.006	1.16
PSG0.5-22	0.077 - 0.036	8.60 x 10 ⁻⁸	0.006	0.39	PSG0.5-22H	0.077 - 0.036	8.60 x 10 ⁻⁸	0.006	1.22
PSG0.5-23	0.077 - 0.036	9.69 x 10 ⁻⁸	0.006	0.41	PSG0.5-23H	0.077 - 0.036	9.69 x 10 ⁻⁸	0.006	1.27
PSG0.5-24	0.077 - 0.036	1.51 x 10 ⁻⁷	0.008	0.43	PSG0.5-24H	0.077 - 0.036	1.51 x 10 ⁻⁷	0.008	1.33
PSG0.5-25	0.087 - 0.042	1.65 x 10 ⁻⁷	0.009	0.44	PSG0.5-25H	0.087 - 0.042	1.65 x 10 ⁻⁷	0.009	1.38
PSG0.5-26	0.087 - 0.042	1.81 x 10 ⁻⁷	0.009	0.54	PSG0.5-26H	0.087 - 0.042	1.81 x 10 ⁻⁷	0.009	1.44
PSG0.5-27	0.087 - 0.042	1.98 x 10 ⁻⁷	0.009	0.57	PSG0.5-27H	0.087 - 0.042	1.98 x 10 ⁻⁷	0.009	1.50
PSG0.5-28	0.087 - 0.042	2.18 x 10 ⁻⁷	0.010	0.59	PSG0.5-28H	0.087 - 0.042	2.18 x 10 ⁻⁷	0.010	1.55
PSG0.5-29	0.087 - 0.042	3.76 x 10 ⁻⁷	0.013	0.61	PSG0.5-29H	0.087 - 0.042	3.76 x 10 ⁻⁷	0.013	1.61
PSG0.5-30	0.087 - 0.042	4.00 x 10 ⁻⁷	0.014	0.69	PSG0.5-30H	0.087 - 0.042	4.00 x 10 ⁻⁷	0.014	1.65
PSG0.5-32	0.087 - 0.042	4.57 x 10 ⁻⁷	0.015	0.74	PSG0.5-32H	0.087 - 0.042	4.57 x 10 ⁻⁷	0.015	1.76
PSG0.5-35	0.087 - 0.042	5.65 x 10 ⁻⁷	0.016	0.81	PSG0.5-35H	0.087 - 0.042	5.65 x 10 ⁻⁷	0.016	1.93
PSG0.5-38	0.089 - 0.041	1.13 x 10 ⁻⁶	0.026	0.87	PSG0.5-38H	0.089 - 0.041	1.13 x 10 ⁻⁶	0.026	2.09
PSG0.5-40	0.089 - 0.041	1.24 x 10 ⁻⁶	0.027	1.18	PSG0.5-40H	0.089 - 0.041	1.24 x 10 ⁻⁶	0.027	2.45
PSG0.5-42	0.089 - 0.041	1.37 x 10 ⁻⁶	0.028	1.24	PSG0.5-42H	0.089 - 0.041	1.37 x 10 ⁻⁶	0.028	2.57
PSG0.5-45	0.089 - 0.041	1.61 x 10 ⁻⁶	0.030	1.32	PSG0.5-45H	0.089 - 0.041	1.61 x 10 ⁻⁶	0.030	2.75
PSG0.5-48	0.089 - 0.041	1.90 x 10 ⁻⁶	0.032	1.41	PSG0.5-48H	0.089 - 0.041	1.90 x 10 ⁻⁶	0.032	2.94
PSG0.5-50	0.089 - 0.041	2.12 x 10 ⁻⁶	0.034	1.74	PSG0.5-50H	0.089 - 0.041	2.12 x 10 ⁻⁶	0.034	3.32
PSG0.5-52	0.097 - 0.046	2.38 x 10 ⁻⁶	0.035	1.81	PSG0.5-52H	0.097 - 0.046	2.38 x 10 ⁻⁶	0.035	3.45
PSG0.5-55	0.097 - 0.046	2.81 x 10 ⁻⁶	0.038	1.92	PSG0.5-55H	0.097 - 0.046	2.81 x 10 ⁻⁶	0.038	3.65
PSG0.5-58	0.097 - 0.046	3.33 x 10 ⁻⁶	0.040	2.02	PSG0.5-58H	0.097 - 0.046	3.33 x 10 ⁻⁶	0.040	3.85
PSG0.5-60	0.097 - 0.046	3.72 x 10 ⁻⁶	0.042	2.49	PSG0.5-60H	0.097 - 0.046	3.72 x 10 ⁻⁶	0.042	4.15
PSG0.5-62	0.098 - 0.044	4.72 x 10 ⁻⁶	0.048	2.57	PSG0.5-62H	0.098 - 0.044	4.72 x 10 ⁻⁶	0.048	4.29
PSG0.5-65	0.098 - 0.044	5.45 x 10 ⁻⁶	0.051	2.70	PSG0.5-65H	0.098 - 0.044	5.45 x 10 ⁻⁶	0.051	4.50
PSG0.5-68	0.098 - 0.044	6.29 x 10 ⁻⁶	0.054	2.82	PSG0.5-68H	0.098 - 0.044	6.29 x 10 ⁻⁶	0.054	4.70
PSG0.5-70	0.098 - 0.044	6.92 x 10 ⁻⁶	0.056	2.91	PSG0.5-70H	0.098 - 0.044	6.92 x 10 ⁻⁶	0.056	4.84
PSG0.5-72	0.098 - 0.044	7.61 x 10 ⁻⁶	0.058	2.99	PSG0.5-72H	0.098 - 0.044	7.61 x 10 ⁻⁶	0.058	4.98
PSG0.5-75	0.098 - 0.044	8.75 x 10 ⁻⁶	0.062	3.11	PSG0.5-75H	0.098 - 0.044	8.75 x 10 ⁻⁶	0.062	5.19
PSG0.5-78	0.098 - 0.044	1.00 x 10 ⁻⁵	0.065	3.24	PSG0.5-78H	0.098 - 0.044	1.00 x 10 ⁻⁵	0.065	5.40
PSG0.5-80	0.098 - 0.044	1.28 x 10 ⁻⁵	0.082	3.71	PSG0.5-80H	0.098 - 0.044	1.28 x 10 ⁻⁵	0.082	5.80
PSG0.5-82	0.098 - 0.044	1.38 x 10 ⁻⁵	0.084	3.81	PSG0.5-82H	0.098 - 0.044	1.38 x 10 ⁻⁵	0.084	5.95
PSG0.5-85	0.098 - 0.044	1.54 x 10 ⁻⁵	0.088	3.95	PSG0.5-85H	0.098 - 0.044	1.54 x 10 ⁻⁵	0.088	6.16
PSG0.5-90	0.098 - 0.044	1.86 x 10 ⁻⁵	0.095	4.18	PSG0.5-90H	0.098 - 0.044	1.86 x 10 ⁻⁵	0.095	6.53
PSG0.5-95	0.098 - 0.044	2.24 x 10 ⁻⁵	0.102	4.41	PSG0.5-95H	0.098 - 0.044	2.24 x 10 ⁻⁵	0.102	6.89
PSG0.5-100	0.098 - 0.044	3.00 x 10 ⁻⁵	0.123	4.75	PSG0.5-100H	0.098 - 0.044	3.00 x 10 ⁻⁵	0.123	7.42
PSG0.5-105	0.111 - 0.049	3.52 x 10 ⁻⁵	0.131	4.99	PSG0.5-105H	0.111 - 0.049	3.52 x 10 ⁻⁵	0.131	7.79
PSG0.5-110	0.111 - 0.049	4.12 x 10 ⁻⁵	0.139	5.22	PSG0.5-110H	0.111 - 0.049	4.12 x 10 ⁻⁵	0.139	8.16
PSG0.5-115	0.111 - 0.049	4.80 x 10 ⁻⁵	0.148	5.46	PSG0.5-115H	0.111 - 0.049	4.80 x 10 ⁻⁵	0.148	8.53
PSG0.5-120	0.111 - 0.049	6.11 x 10 ⁻⁵	0.177	5.70	PSG0.5-120H	0.111 - 0.049	6.11 x 10 ⁻⁵	0.177	8.90
PSG0.5-130	0.111 - 0.049	7.98 x 10 ⁻⁵	0.196	6.17	PSG0.5-130H	0.111 - 0.049	7.98 x 10 ⁻⁵	0.196	9.65
PSG0.5-140	0.111 - 0.049	1.03 x 10 ⁻⁴	0.217	6.65	PSG0.5-140H	0.111 - 0.049	1.03 x 10 ⁻⁴	0.217	10.39
PSG0.5-150	0.111 - 0.049	1.41 x 10 ⁻⁴	0.262	7.28	PSG0.5-150H	0.111 - 0.049	1.41 x 10 ⁻⁴	0.262	11.37
PSG0.5-160	0.111 - 0.049	1.77 x 10 ⁻⁴	0.286	7.76	PSG0.5-160H	0.111 - 0.049	1.77 x 10 ⁻⁴	0.286	12.13
PSG0.5-170	0.113 - 0.047	2.20 x 10 ⁻⁴	0.312	8.25	PSG0.5-170H	0.113 - 0.047	2.20 x 10 ⁻⁴	0.312	12.89
PSG0.5-180	0.113 - 0.047	2.99 x 10 ⁻⁴	0.385	8.73	PSG0.5-180H	0.113 - 0.047	2.99 x 10 ⁻⁴	0.385	13.64
PSG0.5-190	0.113 - 0.047	3.60 x 10 ⁻⁴	0.414	9.22	PSG0.5-190H	0.113 - 0.047	3.60 x 10 ⁻⁴	0.414	14.40
PSG0.5-200	0.113 - 0.047	4.31 x 10 ⁻⁴	0.444	9.80	PSG0.5-200H	0.113 - 0.047	4.31 x 10 ⁻⁴	0.444	15.32
PSG0.5-210	0.138 - 0.064	5.14 x 10 ⁻⁴	0.475	10.29	PSG0.5-210H	0.138 - 0.064	5.14 x 10 ⁻⁴	0.475	16.08
PSG0.5-220	0.138 - 0.064	6.61 x 10 ⁻⁴	0.570	10.78	PSG0.5-220H	0.138 - 0.064	6.61 x 10 ⁻⁴	0.570	16.85
PSG0.5-230	0.138 - 0.064	7.71 x 10 ⁻⁴	0.605	11.27	PSG0.5-230H	0.138 - 0.064	7.71 x 10 ⁻⁴	0.605	17.62
PSG0.5-240	0.138 - 0.064	8.95 x 10 ⁻⁴	0.641	11.76	PSG0.5-240H	0.138 - 0.064	8.95 x 10 ⁻⁴	0.641	18.38
PSG0.5-250	0.140 - 0.062	1.04 x 10 ⁻³	0.679	12.25	PSG0.5-250H	0.140 - 0.062	1.04 x 10 ⁻³	0.679	19.15

PSG
PSG-H
0.8m_n

PRECISION GEARS

0.8 Module Steel Spur Gear α 20° PA

Quality Grade 7e DIN 3961/58405 (AGMA Q10)



DIN 58405 Tooth Thickness tol.

Part Number		No. of Teeth <i>z</i>	Ref. Dia. <i>d</i>	Tip Dia. <i>d_a</i>	Bore H7 <i>d_j</i>	Max. Bore H7 <i>d_j</i>	Hub Dia. <i>BD</i>
Standard 817M40T	Case Hardened 805M20						
PSG0.8-18	PSG0.8-18H	18	14.4	16.0	5	6	11
PSG0.8-19	PSG0.8-19H	19	15.2	16.8	5	6	11
PSG0.8-20	PSG0.8-20H	20	16.0	17.6	5	6	11
PSG0.8-21	PSG0.8-21H	21	16.8	18.4	5	6	12
PSG0.8-22	PSG0.8-22H	22	17.6	19.2	5	6	12
PSG0.8-23	PSG0.8-23H	23	18.4	20.0	5	6	12
PSG0.8-24	PSG0.8-24H	24	19.2	20.8	6	8	14
PSG0.8-25	PSG0.8-25H	25	20.0	21.6	6	8	14
PSG0.8-26	PSG0.8-26H	26	20.8	22.4	6	8	14
PSG0.8-27	PSG0.8-27H	27	21.6	23.2	6	8	14
PSG0.8-28	PSG0.8-28H	28	22.4	24.0	8	10	18
PSG0.8-29	PSG0.8-29H	29	23.2	24.8	8	10	18
PSG0.8-30	PSG0.8-30H	30	24.0	25.6	8	10	18
PSG0.8-32	PSG0.8-32H	32	25.6	27.2	8	10	18
PSG0.8-35	PSG0.8-35H	35	28.0	29.6	10	12	20
PSG0.8-38	PSG0.8-38H	38	30.4	32.0	10	12	20
PSG0.8-40	PSG0.8-40H	40	32.0	33.6	10	12	20
PSG0.8-42	PSG0.8-42H	42	33.6	35.2	10	12	20
PSG0.8-45	PSG0.8-45H	45	36.0	37.6	10	12	20
PSG0.8-48	PSG0.8-48H	48	38.4	40.0	10	18	30
PSG0.8-50	PSG0.8-50H	50	40.0	41.6	10	18	30
PSG0.8-52	PSG0.8-52H	52	41.6	43.2	10	18	30
PSG0.8-55	PSG0.8-55H	55	44.0	45.6	10	18	30
PSG0.8-58	PSG0.8-58H	58	46.4	48.0	10	18	30
PSG0.8-60	PSG0.8-60H	60	48.0	49.6	10	25	40
PSG0.8-62	PSG0.8-62H	62	49.6	51.2	10	25	40
PSG0.8-65	PSG0.8-65H	65	52.0	53.6	10	25	40
PSG0.8-68	PSG0.8-68H	68	54.4	56.0	10	25	40
PSG0.8-70	PSG0.8-70H	70	56.0	57.6	10	25	40
PSG0.8-72	PSG0.8-72H	72	57.6	59.2	10	25	40
PSG0.8-75	PSG0.8-75H	75	60.0	61.6	10	30	50
PSG0.8-78	PSG0.8-78H	78	62.4	64.0	10	30	50
PSG0.8-80	PSG0.8-80H	80	64.0	65.6	10	30	50
PSG0.8-82	PSG0.8-82H	82	65.6	67.2	10	30	50
PSG0.8-85	PSG0.8-85H	85	68.0	69.6	10	30	50
PSG0.8-90	PSG0.8-90H	90	72.0	73.6	10	40	65
PSG0.8-95	PSG0.8-95H	95	76.0	77.6	10	40	65
PSG0.8-100	PSG0.8-100H	100	80.0	81.6	14	40	65
PSG0.8-110	PSG0.8-110H	110	88.0	89.6	14	40	70
PSG0.8-120	PSG0.8-120H	120	96.0	97.6	14	40	70

PSG
PSG-H
0.8m_n

PRECISION GEARS

0.8 Module Steel Spur Gear α 20° PA

Quality Grade 7e DIN 3961/58405 (AGMA Q10)

Standard Part **PSG** **0.8** **78**

Modified Part **PSG** **0.8** **78** **H** **25** **K** **T**

PSG - Precision Spur Gear
Quality Grade 7e DIN 3961/58405
Other Quality Grades available.
See Technical

m_n Module - Cut with DIN 867 1.25/0.20/1.0
Ref. Tooth Profile Topping WD = 2.25 x m_n

Number of Teeth **z**

Standard Material = 817M40T
H = 805M20 # Case Hardened

T = 1 x Tapped hole **2T** = 2 x Tapped holes
P = 1 x Pin Hole **PT** = 1 x Pin Hole through
All threads metric as standard.
See Technical

K - Keyway supplied to
DIN 6885 - Js9 tolerance.
See Technical

To specify different bore enter size required
Example: 25 = 25mm H7 etc
See Technical

Quality Grades and Tolerances stated prior to heat treatment processes.
η_z Meshing Efficiency approx. 98%

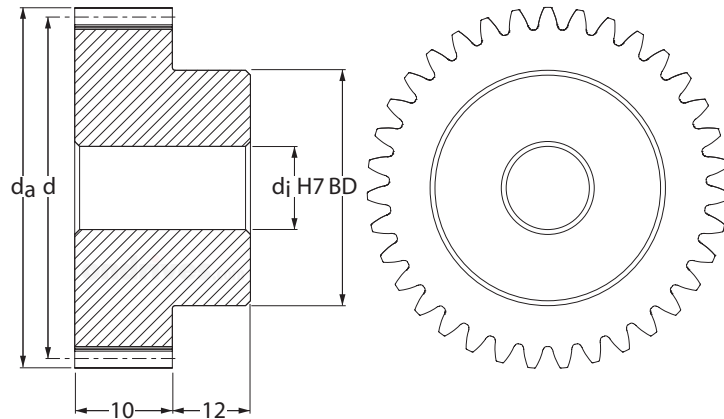
Part Number Standard 817M40T	Backlash (mm) j _{t,e} (max) j _{t,i} (min)	Inertia kgm ²	Mass kg	Torque T ₂ Nm n ₂ 100 Rpm	Part Number Case Hardened 805M20#	Backlash (mm) j _{t,e} (max) j _{t,i} (min)	Inertia kgm ²	Mass kg	Torque T ₂ Nm n ₂ 100 Rpm
PSG0.8-18	0.096 - 0.047	3.79 x 10 ⁻⁷	0.015	0.94	PSG0.8-18H	0.096 - 0.047	3.79 x 10 ⁻⁷	0.015	3.46
PSG0.8-19	0.096 - 0.047	4.43 x 10 ⁻⁷	0.016	1.00	PSG0.8-19H	0.096 - 0.047	4.43 x 10 ⁻⁷	0.016	3.65
PSG0.8-20	0.096 - 0.047	5.18 x 10 ⁻⁷	0.017	1.33	PSG0.8-20H	0.096 - 0.047	5.18 x 10 ⁻⁷	0.017	4.53
PSG0.8-21	0.096 - 0.047	6.52 x 10 ⁻⁷	0.020	1.39	PSG0.8-21H	0.096 - 0.047	6.52 x 10 ⁻⁷	0.020	4.76
PSG0.8-22	0.096 - 0.047	7.53 x 10 ⁻⁷	0.021	1.46	PSG0.8-22H	0.096 - 0.047	7.53 x 10 ⁻⁷	0.021	4.98
PSG0.8-23	0.097 - 0.046	8.67 x 10 ⁻⁷	0.023	1.53	PSG0.8-23H	0.097 - 0.046	8.67 x 10 ⁻⁷	0.023	5.21
PSG0.8-24	0.097 - 0.046	1.12 x 10 ⁻⁶	0.026	1.59	PSG0.8-24H	0.097 - 0.046	1.12 x 10 ⁻⁶	0.026	5.44
PSG0.8-25	0.097 - 0.046	1.27 x 10 ⁻⁶	0.028	1.66	PSG0.8-25H	0.097 - 0.046	1.27 x 10 ⁻⁶	0.028	5.66
PSG0.8-26	0.097 - 0.046	1.44 x 10 ⁻⁶	0.029	2.03	PSG0.8-26H	0.097 - 0.046	1.44 x 10 ⁻⁶	0.029	5.90
PSG0.8-27	0.097 - 0.046	1.63 x 10 ⁻⁶	0.031	2.11	PSG0.8-27H	0.097 - 0.046	1.63 x 10 ⁻⁶	0.031	6.13
PSG0.8-28	0.097 - 0.046	2.31 x 10 ⁻⁶	0.037	2.18	PSG0.8-28H	0.097 - 0.046	2.31 x 10 ⁻⁶	0.037	6.35
PSG0.8-29	0.097 - 0.046	2.54 x 10 ⁻⁶	0.039	2.26	PSG0.8-29H	0.097 - 0.046	2.54 x 10 ⁻⁶	0.039	6.58
PSG0.8-30	0.097 - 0.046	2.80 x 10 ⁻⁶	0.041	2.58	PSG0.8-30H	0.097 - 0.046	2.80 x 10 ⁻⁶	0.041	6.76
PSG0.8-32	0.108 - 0.052	3.40 x 10 ⁻⁶	0.045	2.75	PSG0.8-32H	0.108 - 0.052	3.40 x 10 ⁻⁶	0.045	7.21
PSG0.8-35	0.108 - 0.052	4.87 x 10 ⁻⁶	0.052	3.00	PSG0.8-35H	0.108 - 0.052	4.87 x 10 ⁻⁶	0.052	7.89
PSG0.8-38	0.109 - 0.050	6.33 x 10 ⁻⁶	0.059	3.26	PSG0.8-38H	0.109 - 0.050	6.33 x 10 ⁻⁶	0.059	8.57
PSG0.8-40	0.109 - 0.050	7.52 x 10 ⁻⁶	0.064	4.39	PSG0.8-40H	0.109 - 0.050	7.52 x 10 ⁻⁶	0.064	10.03
PSG0.8-42	0.109 - 0.050	8.90 x 10 ⁻⁶	0.069	4.61	PSG0.8-42H	0.109 - 0.050	8.90 x 10 ⁻⁶	0.069	10.53
PSG0.8-45	0.109 - 0.050	1.14 x 10 ⁻⁵	0.077	4.94	PSG0.8-45H	0.109 - 0.050	1.14 x 10 ⁻⁵	0.077	11.28
PSG0.8-48	0.109 - 0.050	1.94 x 10 ⁻⁵	0.117	5.26	PSG0.8-48H	0.109 - 0.050	1.94 x 10 ⁻⁵	0.117	12.04
PSG0.8-50	0.109 - 0.050	2.18 x 10 ⁻⁵	0.123	6.50	PSG0.8-50H	0.109 - 0.050	2.18 x 10 ⁻⁵	0.123	13.61
PSG0.8-52	0.109 - 0.050	2.44 x 10 ⁻⁵	0.129	6.76	PSG0.8-52H	0.109 - 0.050	2.44 x 10 ⁻⁵	0.129	14.15
PSG0.8-55	0.109 - 0.050	2.90 x 10 ⁻⁵	0.139	7.15	PSG0.8-55H	0.109 - 0.050	2.90 x 10 ⁻⁵	0.139	14.97
PSG0.8-58	0.109 - 0.050	3.44 x 10 ⁻⁵	0.150	7.54	PSG0.8-58H	0.109 - 0.050	3.44 x 10 ⁻⁵	0.150	15.78
PSG0.8-60	0.109 - 0.050	5.21 x 10 ⁻⁵	0.200	9.29	PSG0.8-60H	0.109 - 0.050	5.21 x 10 ⁻⁵	0.200	17.00
PSG0.8-62	0.109 - 0.050	5.66 x 10 ⁻⁵	0.208	9.60	PSG0.8-62H	0.109 - 0.050	5.66 x 10 ⁻⁵	0.208	17.57
PSG0.8-65	0.122 - 0.055	6.43 x 10 ⁻⁵	0.220	10.06	PSG0.8-65H	0.122 - 0.055	6.43 x 10 ⁻⁵	0.220	18.42
PSG0.8-68	0.122 - 0.055	7.31 x 10 ⁻⁵	0.233	10.52	PSG0.8-68H	0.122 - 0.055	7.31 x 10 ⁻⁵	0.233	19.27
PSG0.8-70	0.122 - 0.055	7.97 x 10 ⁻⁵	0.241	10.83	PSG0.8-70H	0.122 - 0.055	7.97 x 10 ⁻⁵	0.241	19.83
PSG0.8-72	0.122 - 0.055	8.69 x 10 ⁻⁵	0.250	11.14	PSG0.8-72H	0.122 - 0.055	8.69 x 10 ⁻⁵	0.250	20.40
PSG0.8-75	0.122 - 0.055	1.27 x 10 ⁻⁴	0.320	11.61	PSG0.8-75H	0.122 - 0.055	1.27 x 10 ⁻⁴	0.320	21.25
PSG0.8-78	0.122 - 0.055	1.41 x 10 ⁻⁴	0.334	12.07	PSG0.8-78H	0.122 - 0.055	1.41 x 10 ⁻⁴	0.334	22.10
PSG0.8-80	0.122 - 0.055	1.51 x 10 ⁻⁴	0.344	15.21	PSG0.8-80H	0.122 - 0.055	1.51 x 10 ⁻⁴	0.344	23.77
PSG0.8-82	0.122 - 0.055	1.61 x 10 ⁻⁴	0.354	15.59	PSG0.8-82H	0.122 - 0.055	1.61 x 10 ⁻⁴	0.354	24.36
PSG0.8-85	0.122 - 0.055	1.79 x 10 ⁻⁴	0.370	16.16	PSG0.8-85H	0.122 - 0.055	1.79 x 10 ⁻⁴	0.370	25.25
PSG0.8-90	0.122 - 0.055	3.02 x 10 ⁻⁴	0.504	17.11	PSG0.8-90H	0.122 - 0.055	3.02 x 10 ⁻⁴	0.504	26.74
PSG0.8-95	0.122 - 0.055	3.42 x 10 ⁻⁴	0.533	18.06	PSG0.8-95H	0.122 - 0.055	3.42 x 10 ⁻⁴	0.533	28.22
PSG0.8-100	0.122 - 0.055	3.88 x 10 ⁻⁴	0.553	19.45	PSG0.8-100H	0.122 - 0.055	3.88 x 10 ⁻⁴	0.553	30.39
PSG0.8-110	0.123 - 0.053	5.52 x 10 ⁻⁴	0.661	20.42	PSG0.8-110H	0.123 - 0.053	5.52 x 10 ⁻⁴	0.661	31.91
PSG0.8-120	0.123 - 0.053	7.05 x 10 ⁻⁴	0.733	21.40	PSG0.8-120H	0.123 - 0.053	7.05 x 10 ⁻⁴	0.733	33.43

PSG
PSG-H
1.0m_n

PRECISION GEARS

1.0 Module Steel Spur Gear α 20° PA

Quality Grade 7e25 DIN 3961/3967 (AGMA Q10)



DIN 3967 Tooth Thickness tol.

Part Number		No. of Teeth <i>z</i>	Ref. Dia. <i>d</i>	Tip Dia. <i>d_a</i>	Bore H7 <i>d_j</i>	Max. Bore H7 <i>d_j</i>	Hub Dia. <i>BD</i>
Standard 817M40T	Case Hardened 805M20						
PSG1.0-15	PSG1.0-15H	15	15	17	5	5	12
PSG1.0-16	PSG1.0-16H	16	16	18	5	5	12
PSG1.0-17	PSG1.0-17H	17	17	19	5	5	12
PSG1.0-18	PSG1.0-18H	18	18	20	5	8	15
PSG1.0-19	PSG1.0-19H	19	19	21	5	8	15
PSG1.0-20	PSG1.0-20H	20	20	22	5	8	15
PSG1.0-21	PSG1.0-21H	21	21	23	5	8	15
PSG1.0-22	PSG1.0-22H	22	22	24	5	8	15
PSG1.0-23	PSG1.0-23H	23	23	25	5	8	15
PSG1.0-24	PSG1.0-24H	24	24	26	6	10	20
PSG1.0-25	PSG1.0-25H	25	25	27	6	10	20
PSG1.0-26	PSG1.0-26H	26	26	28	6	10	20
PSG1.0-27	PSG1.0-27H	27	27	29	6	10	20
PSG1.0-28	PSG1.0-28H	28	28	30	6	10	20
PSG1.0-29	PSG1.0-29H	29	29	31	8	12	25
PSG1.0-30	PSG1.0-30H	30	30	32	8	12	25
PSG1.0-32	PSG1.0-32H	32	32	34	8	12	25
PSG1.0-35	PSG1.0-35H	35	35	37	8	12	25
PSG1.0-38	PSG1.0-38H	38	38	40	10	18	34
PSG1.0-40	PSG1.0-40H	40	40	42	10	18	34
PSG1.0-42	PSG1.0-42H	42	42	44	10	18	34
PSG1.0-45	PSG1.0-45H	45	45	47	10	18	34
PSG1.0-48	PSG1.0-48H	48	48	50	10	18	34
PSG1.0-50	PSG1.0-50H	50	50	52	10	18	34
PSG1.0-52	PSG1.0-52H	52	52	54	10	22	40
PSG1.0-55	PSG1.0-55H	55	55	57	10	22	40
PSG1.0-58	PSG1.0-58H	58	58	60	10	22	40
PSG1.0-60	PSG1.0-60H	60	60	62	10	22	40
PSG1.0-62	PSG1.0-62H	62	62	64	10	22	40
PSG1.0-65	PSG1.0-65H	65	65	67	10	28	50
PSG1.0-68	PSG1.0-68H	68	68	70	10	28	50
PSG1.0-70	PSG1.0-70H	70	70	72	10	28	50
PSG1.0-72	PSG1.0-72H	72	72	74	10	28	50
PSG1.0-75	PSG1.0-75H	75	75	77	10	28	50
PSG1.0-78	PSG1.0-78H	78	78	80	10	35	60
PSG1.0-80	PSG1.0-80H	80	80	82	10	35	60
PSG1.0-82	PSG1.0-82H	82	82	84	10	35	60
PSG1.0-85	PSG1.0-85H	85	85	87	10	35	60
PSG1.0-90	PSG1.0-90H	90	90	92	10	35	60
PSG1.0-95	PSG1.0-95H	95	95	97	10	35	60
PSG1.0-100	PSG1.0-100H	100	100	102	14	40	70
PSG1.0-105	PSG1.0-105H	105	105	107	14	40	70
PSG1.0-110	PSG1.0-110H	110	110	112	14	40	70
PSG1.0-115	PSG1.0-115H	115	115	117	14	40	70
PSG1.0-120	PSG1.0-120H	120	120	122	14	40	70

PSG
PSG-H
1.0m_n

PRECISION GEARS

1.0 Module Steel Spur Gear α 20° PA

Quality Grade 7e25 DIN 3961/3967 (AGMA Q10)

Standard Part **PSG** **1.0** **60**

Modified Part **PSG** **1.0** **60** **H** **18** **K** **T**

PSG - Precision Spur Gear
Quality Grade 7e DIN 3961/3967
Other Quality Grades available.
See Technical

m_n Module - Cut with DIN 867 1.25/0.20/1.0
Ref. Tooth Profile Topping WD = 2.25 x m_n

Number of Teeth **z**

Standard Material = 817M40T
H = 805M20 # Case Hardened

T = 1 x Tapped hole **2T** = 2 x Tapped holes
P = 1 x Pin Hole **PT** = 1 x Pin Hole through
All threads metric as standard.
See Technical

K - Keyway supplied to
DIN 6885 - Js9 tolerance.
See Technical

To specify different bore enter size required
Example: 18 = 18mm H7 etc
See Technical

Quality Grades and Tolerances stated prior to heat treatment processes.
η_z Meshing Efficiency approx. 98%

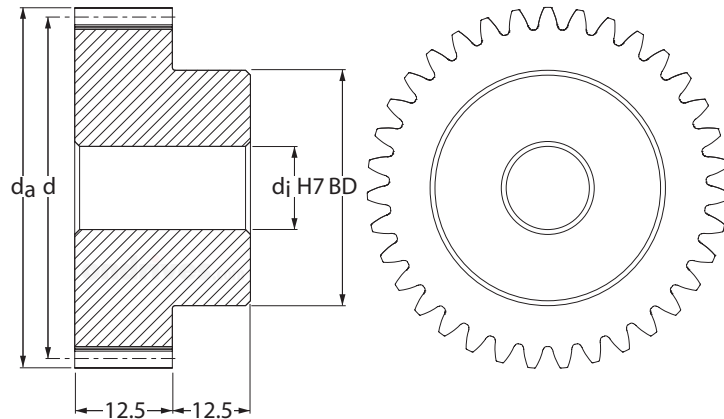
Part Number Standard 817M40T	Backlash (mm) j _{t,e} (max) j _{t,i} (min)	Inertia kgm ²	Mass kg	Torque T ₂ Nm n ₂ 100 Rpm	Part Number Case Hardened 805M20#	Backlash (mm) j _{t,e} (max) j _{t,i} (min)	Inertia kgm ²	Mass kg	Torque T ₂ Nm n ₂ 100 Rpm
PSG1.0-15	0.127 - 0.053	5.97 x 10 ⁻⁷	0.021	1.47	PSG1.0-15H	0.127 - 0.053	5.97 x 10 ⁻⁷	0.021	5.39
PSG1.0-16	0.127 - 0.053	7.14 x 10 ⁻⁷	0.023	1.57	PSG1.0-16H	0.127 - 0.053	7.14 x 10 ⁻⁷	0.023	5.75
PSG1.0-17	0.127 - 0.053	8.54 x 10 ⁻⁷	0.025	1.67	PSG1.0-17H	0.127 - 0.053	8.54 x 10 ⁻⁷	0.025	6.11
PSG1.0-18	0.127 - 0.053	1.30 x 10 ⁻⁶	0.033	1.76	PSG1.0-18H	0.127 - 0.053	1.30 x 10 ⁻⁶	0.033	6.47
PSG1.0-19	0.128 - 0.052	1.49 x 10 ⁻⁶	0.035	1.86	PSG1.0-19H	0.128 - 0.052	1.49 x 10 ⁻⁶	0.035	6.83
PSG1.0-20	0.128 - 0.052	1.72 x 10 ⁻⁶	0.038	2.48	PSG1.0-20H	0.128 - 0.052	1.72 x 10 ⁻⁶	0.038	8.85
PSG1.0-21	0.128 - 0.052	1.99 x 10 ⁻⁶	0.040	2.60	PSG1.0-21H	0.128 - 0.052	1.99 x 10 ⁻⁶	0.040	9.29
PSG1.0-22	0.128 - 0.052	2.29 x 10 ⁻⁶	0.043	2.73	PSG1.0-22H	0.128 - 0.052	2.29 x 10 ⁻⁶	0.043	9.73
PSG1.0-23	0.128 - 0.052	2.64 x 10 ⁻⁶	0.045	2.85	PSG1.0-23H	0.128 - 0.052	2.64 x 10 ⁻⁶	0.045	10.18
PSG1.0-24	0.128 - 0.052	4.04 x 10 ⁻⁶	0.060	2.97	PSG1.0-24H	0.128 - 0.052	4.04 x 10 ⁻⁶	0.060	10.62
PSG1.0-25	0.128 - 0.052	4.49 x 10 ⁻⁶	0.063	3.10	PSG1.0-25H	0.128 - 0.052	4.49 x 10 ⁻⁶	0.063	11.06
PSG1.0-26	0.128 - 0.052	5.00 x 10 ⁻⁶	0.066	3.79	PSG1.0-26H	0.128 - 0.052	5.00 x 10 ⁻⁶	0.066	11.52
PSG1.0-27	0.128 - 0.052	5.57 x 10 ⁻⁶	0.069	3.94	PSG1.0-27H	0.128 - 0.052	5.57 x 10 ⁻⁶	0.069	11.96
PSG1.0-28	0.128 - 0.052	6.21 x 10 ⁻⁶	0.073	4.08	PSG1.0-28H	0.128 - 0.052	6.21 x 10 ⁻⁶	0.073	12.41
PSG1.0-29	0.128 - 0.052	9.00 x 10 ⁻⁶	0.089	4.23	PSG1.0-29H	0.128 - 0.052	9.00 x 10 ⁻⁶	0.089	12.85
PSG1.0-30	0.128 - 0.052	9.79 x 10 ⁻⁶	0.092	4.81	PSG1.0-30H	0.128 - 0.052	9.79 x 10 ⁻⁶	0.092	13.21
PSG1.0-32	0.129 - 0.051	1.16 x 10 ⁻⁵	0.100	5.13	PSG1.0-32H	0.129 - 0.051	1.16 x 10 ⁻⁵	0.100	14.09
PSG1.0-35	0.129 - 0.051	1.51 x 10 ⁻⁵	0.112	5.61	PSG1.0-35H	0.129 - 0.051	1.51 x 10 ⁻⁵	0.112	15.41
PSG1.0-38	0.129 - 0.051	2.82 x 10 ⁻⁵	0.160	6.09	PSG1.0-38H	0.129 - 0.051	2.82 x 10 ⁻⁵	0.160	16.73
PSG1.0-40	0.129 - 0.051	3.18 x 10 ⁻⁵	0.170	8.19	PSG1.0-40H	0.129 - 0.051	3.18 x 10 ⁻⁵	0.170	19.59
PSG1.0-42	0.129 - 0.051	3.60 x 10 ⁻⁵	0.180	8.60	PSG1.0-42H	0.129 - 0.051	3.60 x 10 ⁻⁵	0.180	20.57
PSG1.0-45	0.129 - 0.051	4.36 x 10 ⁻⁵	0.196	9.22	PSG1.0-45H	0.129 - 0.051	4.36 x 10 ⁻⁵	0.196	22.04
PSG1.0-48	0.129 - 0.051	5.28 x 10 ⁻⁵	0.213	9.83	PSG1.0-48H	0.129 - 0.051	5.28 x 10 ⁻⁵	0.213	23.51
PSG1.0-50	0.129 - 0.051	6.00 x 10 ⁻⁵	0.225	12.15	PSG1.0-50H	0.129 - 0.051	6.00 x 10 ⁻⁵	0.225	26.57
PSG1.0-52	0.171 - 0.069	7.94 x 10 ⁻⁵	0.270	12.63	PSG1.0-52H	0.171 - 0.069	7.94 x 10 ⁻⁵	0.270	27.64
PSG1.0-55	0.171 - 0.069	9.35 x 10 ⁻⁵	0.290	13.36	PSG1.0-55H	0.171 - 0.069	9.35 x 10 ⁻⁵	0.290	29.23
PSG1.0-58	0.171 - 0.069	1.10 x 10 ⁻⁴	0.311	14.09	PSG1.0-58H	0.171 - 0.069	1.10 x 10 ⁻⁴	0.311	30.82
PSG1.0-60	0.171 - 0.069	1.23 x 10 ⁻⁴	0.325	17.35	PSG1.0-60H	0.171 - 0.069	1.23 x 10 ⁻⁴	0.325	33.20
PSG1.0-62	0.171 - 0.069	1.36 x 10 ⁻⁴	0.340	17.92	PSG1.0-62H	0.171 - 0.069	1.36 x 10 ⁻⁴	0.340	34.31
PSG1.0-65	0.171 - 0.069	1.94 x 10 ⁻⁴	0.430	18.79	PSG1.0-65H	0.171 - 0.069	1.94 x 10 ⁻⁴	0.430	35.97
PSG1.0-68	0.171 - 0.069	2.21 x 10 ⁻⁴	0.455	19.66	PSG1.0-68H	0.171 - 0.069	2.21 x 10 ⁻⁴	0.455	37.63
PSG1.0-70	0.171 - 0.069	2.41 x 10 ⁻⁴	0.472	20.24	PSG1.0-70H	0.171 - 0.069	2.41 x 10 ⁻⁴	0.472	38.73
PSG1.0-72	0.171 - 0.069	2.63 x 10 ⁻⁴	0.489	20.81	PSG1.0-72H	0.171 - 0.069	2.63 x 10 ⁻⁴	0.489	39.84
PSG1.0-75	0.171 - 0.069	3.00 x 10 ⁻⁴	0.516	21.68	PSG1.0-75H	0.171 - 0.069	3.00 x 10 ⁻⁴	0.516	41.50
PSG1.0-78	0.171 - 0.069	4.03 x 10 ⁻⁴	0.626	22.55	PSG1.0-78H	0.171 - 0.069	4.03 x 10 ⁻⁴	0.626	43.16
PSG1.0-80	0.171 - 0.069	4.33 x 10 ⁻⁴	0.645	29.61	PSG1.0-80H	0.171 - 0.069	4.33 x 10 ⁻⁴	0.645	46.42
PSG1.0-82	0.173 - 0.067	4.65 x 10 ⁻⁴	0.665	30.35	PSG1.0-82H	0.173 - 0.067	4.65 x 10 ⁻⁴	0.665	47.58
PSG1.0-85	0.173 - 0.067	5.19 x 10 ⁻⁴	0.696	31.46	PSG1.0-85H	0.173 - 0.067	5.19 x 10 ⁻⁴	0.696	49.32
PSG1.0-90	0.173 - 0.067	6.22 x 10 ⁻⁴	0.750	33.31	PSG1.0-90H	0.173 - 0.067	6.22 x 10 ⁻⁴	0.750	52.22
PSG1.0-95	0.173 - 0.067	7.43 x 10 ⁻⁴	0.807	35.16	PSG1.0-95H	0.173 - 0.067	7.43 x 10 ⁻⁴	0.807	55.12
PSG1.0-100	0.173 - 0.067	9.87 x 10 ⁻⁴	0.950	37.99	PSG1.0-100H	0.173 - 0.067	9.87 x 10 ⁻⁴	0.950	59.36
PSG1.0-105	0.173 - 0.067	1.15 x 10 ⁻³	1.013	39.89	PSG1.0-105H	0.173 - 0.067	1.15 x 10 ⁻³	1.013	62.33
PSG1.0-110	0.173 - 0.067	1.34 x 10 ⁻³	1.079	41.79	PSG1.0-110H	0.173 - 0.067	1.34 x 10 ⁻³	1.079	65.30
PSG1.0-115	0.173 - 0.067	1.56 x 10 ⁻³	1.148	43.69	PSG1.0-115H	0.173 - 0.067	1.56 x 10 ⁻³	1.148	68.27
PSG1.0-120	0.173 - 0.067	1.81 x 10 ⁻³	1.220	45.59	PSG1.0-120H	0.173 - 0.067	1.81 x 10 ⁻³	1.220	71.24

PSG
PSG-H
1.25m_n

PRECISION GEARS

1.25 Module Steel Spur Gear α 20° PA

Quality Grade 7e25 DIN 3961/3967 (AGMA Q10)



DIN 3967 Tooth Thickness tol.

Part Number		No. of Teeth <i>z</i>	Ref. Dia. <i>d</i>	Tip Dia. <i>d_a</i>	Bore H7 <i>d_j</i>	Max. Bore H7 <i>d_j</i>	Hub Dia. <i>BD</i>
Standard 817M40T	Case Hardened 805M20						
PSG1.25-18	PSG1.25-18H	18	22.50	25.00	6	8	15
PSG1.25-19	PSG1.25-19H	19	23.75	26.25	6	8	15
PSG1.25-20	PSG1.25-20H	20	25.00	27.50	6	8	15
PSG1.25-21	PSG1.25-21H	21	26.25	28.75	8	12	20
PSG1.25-22	PSG1.25-22H	22	27.50	30.00	8	12	20
PSG1.25-23	PSG1.25-23H	23	28.75	31.25	8	12	20
PSG1.25-24	PSG1.25-24H	24	30.00	32.50	8	12	22
PSG1.25-25	PSG1.25-25H	25	31.25	33.75	8	12	22
PSG1.25-26	PSG1.25-26H	26	32.50	35.00	8	12	22
PSG1.25-27	PSG1.25-27H	27	33.75	36.25	8	12	22
PSG1.25-28	PSG1.25-28H	28	35.00	37.50	8	15	25
PSG1.25-29	PSG1.25-29H	29	36.25	38.75	8	15	25
PSG1.25-30	PSG1.25-30H	30	37.50	40.00	8	15	25
PSG1.25-32	PSG1.25-32H	32	40.00	42.50	8	15	25
PSG1.25-35	PSG1.25-35H	35	43.75	46.25	10	18	30
PSG1.25-38	PSG1.25-38H	38	47.50	50.00	10	18	30
PSG1.25-40	PSG1.25-40H	40	50.00	52.50	10	18	30
PSG1.25-42	PSG1.25-42H	42	52.50	55.00	10	18	30
PSG1.25-45	PSG1.25-45H	45	56.25	58.75	10	18	30
PSG1.25-48	PSG1.25-48H	48	60.00	62.50	10	25	40
PSG1.25-50	PSG1.25-50H	50	62.50	65.00	10	25	40
PSG1.25-52	PSG1.25-52H	52	65.00	67.50	10	25	40
PSG1.25-55	PSG1.25-55H	55	68.75	71.25	10	25	40
PSG1.25-58	PSG1.25-58H	58	72.50	75.00	10	25	40
PSG1.25-60	PSG1.25-60H	60	75.00	77.50	10	30	50
PSG1.25-62	PSG1.25-62H	62	77.50	80.00	10	30	50
PSG1.25-65	PSG1.25-65H	65	81.25	83.75	10	30	50
PSG1.25-68	PSG1.25-68H	68	85.00	87.50	10	30	50
PSG1.25-70	PSG1.25-70H	70	87.50	90.00	10	30	50
PSG1.25-72	PSG1.25-72H	72	90.00	92.50	10	30	50
PSG1.25-75	PSG1.25-75H	75	93.75	96.25	10	35	60
PSG1.25-78	PSG1.25-78H	78	97.50	100.00	10	35	60
PSG1.25-80	PSG1.25-80H	80	100.00	102.50	10	35	60
PSG1.25-82	PSG1.25-82H	82	102.50	105.00	10	35	60
PSG1.25-85	PSG1.25-85H	85	106.25	108.75	10	35	60
PSG1.25-90	PSG1.25-90H	90	112.50	115.00	10	40	65
PSG1.25-95	PSG1.25-95H	95	118.75	121.25	10	40	65
PSG1.25-100	PSG1.25-100H	100	125.00	127.50	14	40	65
PSG1.25-110	PSG1.25-110H	110	137.50	140.00	14	40	70
PSG1.25-120	PSG1.25-120H	120	150.00	152.50	14	40	70

PSG
PSG-H
1.25m_n

PRECISION GEARS

1.25 Module Steel Spur Gear α 20° PA

Quality Grade 7e25 DIN 3961/3967 (AGMA Q10)

Standard Part **PSG 1.25-40**

Modified Part **PSG 1.25-40 H 16 K T**

PSG - Precision Spur Gear
Quality Grade 7e DIN 3961/3967
Other Quality Grades available.
See Technical

m_n Module - Cut with DIN 867 1.25/0.20/1.0
Ref. Tooth Profile Topping WD = 2.25 x m_n

Number of Teeth **z**

Standard Material = 817M40T
H = 805M20 # Case Hardened

T = 1 x Tapped hole **2T** = 2 x Tapped holes
P = 1 x Pin Hole **PT** = 1 x Pin Hole through
All threads metric as standard.
See Technical

K - Keyway supplied to
DIN 6885 - Js9 tolerance.
See Technical

To specify different bore enter size required
Example: 16 = 16mm H7 etc
See Technical

Quality Grades and Tolerances stated prior to heat treatment processes.
η_z Meshing Efficiency approx. 98%

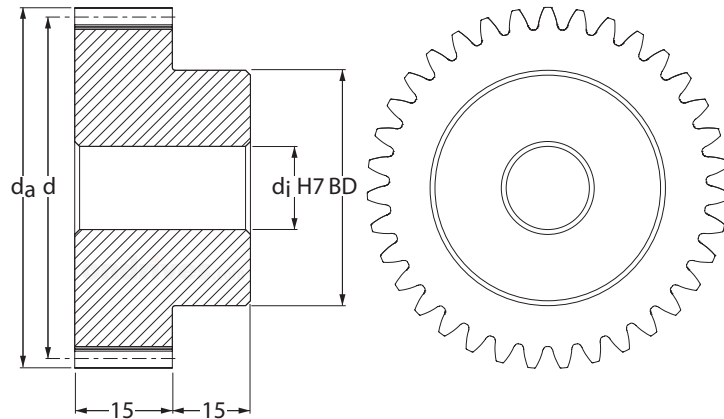
Part Number Standard 817M40T	Backlash (mm) j _{t,e} (max) j _{t,i} (min)	Inertia kgm ²	Mass kg	Torque T ₂ Nm n ₂ 100 Rpm	Part Number Case Hardened 805M20#	Backlash (mm) j _{t,e} (max) j _{t,i} (min)	Inertia kgm ²	Mass kg	Torque T ₂ Nm n ₂ 100 Rpm
PSG1.25-18	0.128 - 0.052	3.02 x 10 ⁻⁶	0.050	3.29	PSG1.25-18H	0.128 - 0.052	3.02 x 10 ⁻⁶	0.050	12.08
PSG1.25-19	0.128 - 0.052	3.62 x 10 ⁻⁶	0.055	3.48	PSG1.25-19H	0.128 - 0.052	3.62 x 10 ⁻⁶	0.055	12.75
PSG1.25-20	0.128 - 0.052	4.32 x 10 ⁻⁶	0.059	4.63	PSG1.25-20H	0.128 - 0.052	4.32 x 10 ⁻⁶	0.059	16.97
PSG1.25-21	0.128 - 0.052	6.13 x 10 ⁻⁶	0.073	4.86	PSG1.25-21H	0.128 - 0.052	6.13 x 10 ⁻⁶	0.073	17.82
PSG1.25-22	0.128 - 0.052	7.06 x 10 ⁻⁶	0.079	5.09	PSG1.25-22H	0.128 - 0.052	7.06 x 10 ⁻⁶	0.079	18.67
PSG1.25-23	0.128 - 0.052	8.13 x 10 ⁻⁶	0.084	5.32	PSG1.25-23H	0.128 - 0.052	8.13 x 10 ⁻⁶	0.084	19.52
PSG1.25-24	0.128 - 0.052	1.01 x 10 ⁻⁵	0.096	5.55	PSG1.25-24H	0.128 - 0.052	1.01 x 10 ⁻⁵	0.096	20.36
PSG1.25-25	0.129 - 0.051	1.14 x 10 ⁻⁵	0.102	5.79	PSG1.25-25H	0.129 - 0.051	1.14 x 10 ⁻⁵	0.102	21.21
PSG1.25-26	0.129 - 0.051	1.30 x 10 ⁻⁵	0.108	7.08	PSG1.25-26H	0.129 - 0.051	1.30 x 10 ⁻⁵	0.108	22.50
PSG1.25-27	0.129 - 0.051	1.47 x 10 ⁻⁵	0.114	7.35	PSG1.25-27H	0.129 - 0.051	1.47 x 10 ⁻⁵	0.114	23.37
PSG1.25-28	0.129 - 0.051	1.82 x 10 ⁻⁵	0.132	7.62	PSG1.25-28H	0.129 - 0.051	1.82 x 10 ⁻⁵	0.132	24.23
PSG1.25-29	0.129 - 0.051	2.03 x 10 ⁻⁵	0.138	7.90	PSG1.25-29H	0.129 - 0.051	2.03 x 10 ⁻⁵	0.138	25.10
PSG1.25-30	0.129 - 0.051	2.27 x 10 ⁻⁵	0.145	8.98	PSG1.25-30H	0.129 - 0.051	2.27 x 10 ⁻⁵	0.145	25.80
PSG1.25-32	0.129 - 0.051	2.83 x 10 ⁻⁵	0.160	9.58	PSG1.25-32H	0.129 - 0.051	2.83 x 10 ⁻⁵	0.160	27.52
PSG1.25-35	0.129 - 0.051	4.28 x 10 ⁻⁵	0.200	10.48	PSG1.25-35H	0.129 - 0.051	4.28 x 10 ⁻⁵	0.200	30.10
PSG1.25-38	0.129 - 0.051	5.64 x 10 ⁻⁵	0.226	11.38	PSG1.25-38H	0.129 - 0.051	5.64 x 10 ⁻⁵	0.226	32.68
PSG1.25-40	0.129 - 0.051	6.75 x 10 ⁻⁵	0.245	15.31	PSG1.25-40H	0.129 - 0.051	6.75 x 10 ⁻⁵	0.245	38.26
PSG1.25-42	0.171 - 0.069	8.03 x 10 ⁻⁵	0.264	16.07	PSG1.25-42H	0.171 - 0.069	8.03 x 10 ⁻⁵	0.264	40.17
PSG1.25-45	0.171 - 0.069	1.03 x 10 ⁻⁴	0.296	17.22	PSG1.25-45H	0.171 - 0.069	1.03 x 10 ⁻⁴	0.296	43.04
PSG1.25-48	0.171 - 0.069	1.48 x 10 ⁻⁴	0.383	18.37	PSG1.25-48H	0.171 - 0.069	1.48 x 10 ⁻⁴	0.383	45.91
PSG1.25-50	0.171 - 0.069	1.70 x 10 ⁻⁴	0.407	22.69	PSG1.25-50H	0.171 - 0.069	1.70 x 10 ⁻⁴	0.407	51.90
PSG1.25-52	0.171 - 0.069	1.95 x 10 ⁻⁴	0.431	23.60	PSG1.25-52H	0.171 - 0.069	1.95 x 10 ⁻⁴	0.431	53.98
PSG1.25-55	0.171 - 0.069	2.38 x 10 ⁻⁴	0.469	24.96	PSG1.25-55H	0.171 - 0.069	2.38 x 10 ⁻⁴	0.469	57.09
PSG1.25-58	0.171 - 0.069	2.88 x 10 ⁻⁴	0.510	26.32	PSG1.25-58H	0.171 - 0.069	2.88 x 10 ⁻⁴	0.510	60.20
PSG1.25-60	0.171 - 0.069	3.62 x 10 ⁻⁴	0.608	32.40	PSG1.25-60H	0.171 - 0.069	3.62 x 10 ⁻⁴	0.608	64.85
PSG1.25-62	0.171 - 0.069	4.05 x 10 ⁻⁴	0.637	33.48	PSG1.25-62H	0.171 - 0.069	4.05 x 10 ⁻⁴	0.637	67.01
PSG1.25-65	0.173 - 0.067	4.76 x 10 ⁻⁴	0.683	35.10	PSG1.25-65H	0.173 - 0.067	4.76 x 10 ⁻⁴	0.683	70.25
PSG1.25-68	0.173 - 0.067	5.59 x 10 ⁻⁴	0.731	36.72	PSG1.25-68H	0.173 - 0.067	5.59 x 10 ⁻⁴	0.731	73.49
PSG1.25-70	0.173 - 0.067	6.20 x 10 ⁻⁴	0.764	37.80	PSG1.25-70H	0.173 - 0.067	6.20 x 10 ⁻⁴	0.764	75.65
PSG1.25-72	0.173 - 0.067	6.87 x 10 ⁻⁴	0.798	38.88	PSG1.25-72H	0.173 - 0.067	6.87 x 10 ⁻⁴	0.798	77.82
PSG1.25-75	0.173 - 0.067	8.63 x 10 ⁻⁴	0.935	40.50	PSG1.25-75H	0.173 - 0.067	8.63 x 10 ⁻⁴	0.935	81.06
PSG1.25-78	0.173 - 0.067	9.88 x 10 ⁻⁴	0.991	42.12	PSG1.25-78H	0.173 - 0.067	9.88 x 10 ⁻⁴	0.991	84.30
PSG1.25-80	0.173 - 0.067	1.08 x 10 ⁻³	1.029	55.30	PSG1.25-80H	0.173 - 0.067	1.08 x 10 ⁻³	1.029	90.66
PSG1.25-82	0.173 - 0.067	1.18 x 10 ⁻³	1.067	56.68	PSG1.25-82H	0.173 - 0.067	1.18 x 10 ⁻³	1.067	92.92
PSG1.25-85	0.173 - 0.067	1.34 x 10 ⁻³	1.128	58.75	PSG1.25-85H	0.173 - 0.067	1.34 x 10 ⁻³	1.128	96.32
PSG1.25-90	0.173 - 0.067	1.70 x 10 ⁻³	1.281	62.21	PSG1.25-90H	0.173 - 0.067	1.70 x 10 ⁻³	1.281	101.99
PSG1.25-95	0.173 - 0.067	2.07 x 10 ⁻³	1.392	65.67	PSG1.25-95H	0.173 - 0.067	2.07 x 10 ⁻³	1.392	107.66
PSG1.25-100	0.175 - 0.065	2.51 x 10 ⁻³	1.494	74.20	PSG1.25-100H	0.175 - 0.065	2.51 x 10 ⁻³	1.494	115.95
PSG1.25-110	0.227 - 0.097	3.65 x 10 ⁻³	1.798	77.92	PSG1.25-110H	0.227 - 0.097	3.65 x 10 ⁻³	1.798	121.74
PSG1.25-120	0.227 - 0.097	5.08 x 10 ⁻³	2.075	81.63	PSG1.25-120H	0.227 - 0.097	5.08 x 10 ⁻³	2.075	127.54

PSG
PSG-H
1.5m_n

PRECISION GEARS

1.5 Module Steel Spur Gear α 20° PA

Quality Grade 7e25 DIN 3961/3967 (AGMA Q10)



DIN 3967 Tooth Thickness tol.

Part Number		No. of Teeth <i>z</i>	Ref. Dia. <i>d</i>	Tip Dia. <i>d_a</i>	Bore H7 <i>d_j</i>	Max. Bore H7 <i>d_j</i>	Hub Dia. <i>BD</i>
Standard 817M40T	Case Hardened 805M20						
PSG1.5-18	PSG1.5-18H	18	27.0	30.0	6	12	22
PSG1.5-19	PSG1.5-19H	19	28.5	31.5	6	12	22
PSG1.5-20	PSG1.5-20H	20	30.0	33.0	6	12	22
PSG1.5-21	PSG1.5-21H	21	31.5	34.5	8	14	25
PSG1.5-22	PSG1.5-22H	22	33.0	36.0	8	14	25
PSG1.5-23	PSG1.5-23H	23	34.5	37.5	8	14	25
PSG1.5-24	PSG1.5-24H	24	36.0	39.0	8	14	25
PSG1.5-25	PSG1.5-25H	25	37.5	40.5	8	14	25
PSG1.5-26	PSG1.5-26H	26	39.0	42.0	8	14	25
PSG1.5-27	PSG1.5-27H	27	40.5	43.5	8	14	25
PSG1.5-28	PSG1.5-28H	28	42.0	45.0	8	14	25
PSG1.5-29	PSG1.5-29H	29	43.5	46.5	10	20	35
PSG1.5-30	PSG1.5-30H	30	45.0	48.0	10	20	35
PSG1.5-32	PSG1.5-32H	32	48.0	51.0	10	20	35
PSG1.5-35	PSG1.5-35H	35	52.5	55.5	10	20	35
PSG1.5-38	PSG1.5-38H	38	57.0	60.0	12	25	45
PSG1.5-40	PSG1.5-40H	40	60.0	63.0	12	25	45
PSG1.5-42	PSG1.5-42H	42	63.0	66.0	12	25	45
PSG1.5-45	PSG1.5-45H	45	67.5	70.5	12	25	45
PSG1.5-48	PSG1.5-48H	48	72.0	75.0	12	25	45
PSG1.5-50	PSG1.5-50H	50	75.0	78.0	14	30	55
PSG1.5-52	PSG1.5-52H	52	78.0	81.0	14	30	55
PSG1.5-55	PSG1.5-55H	55	82.5	85.5	14	30	55
PSG1.5-58	PSG1.5-58H	58	87.0	90.0	14	30	55
PSG1.5-60	PSG1.5-60H	60	90.0	93.0	14	30	55
PSG1.5-62	PSG1.5-62H	62	93.0	96.0	14	30	55
PSG1.5-65	PSG1.5-65H	65	97.5	100.5	14	30	55
PSG1.5-68	PSG1.5-68H	68	102.0	105.0	16	40	65
PSG1.5-70	PSG1.5-70H	70	105.0	108.0	16	40	65
PSG1.5-72	PSG1.5-72H	72	108.0	111.0	16	40	65
PSG1.5-75	PSG1.5-75H	75	112.5	115.5	16	40	65
PSG1.5-78	PSG1.5-78H	78	117.0	120.0	16	40	65
PSG1.5-80	PSG1.5-80H	80	120.0	123.0	16	40	65
PSG1.5-82	PSG1.5-82H	82	123.0	126.0	16	40	65
PSG1.5-85	PSG1.5-85H	85	127.5	130.5	16	40	65
PSG1.5-88	PSG1.5-88H	88	132.0	135.0	16	40	65
PSG1.5-90	PSG1.5-90H	90	135.0	138.0	16	40	65
PSG1.5-92	PSG1.5-92H	92	138.0	141.0	16	40	65
PSG1.5-95	PSG1.5-95H	95	142.5	145.5	16	40	65
PSG1.5-98	PSG1.5-98H	98	147.0	150.0	16	40	65

PSG
PSG-H
1.5m_n

PRECISION GEARS

1.5 Module Steel Spur Gear α 20° PA

Quality Grade 7e25 DIN 3961/3967 (AGMA Q10)

Standard Part **PSG** **1.5** **40**

Modified Part **PSG** **1.5** **40** **H** **18** **K** **T**

PSG - Precision Spur Gear
Quality Grade 7e DIN 3961/3967
Other Quality Grades available.
See Technical

m_n Module - Cut with DIN 867 1.25/0.20/1.0
Ref. Tooth Profile Topping WD = 2.25 x m_n

Number of Teeth **z**

Standard Material = 817M40T
H = 805M20 # Case Hardened

T = 1 x Tapped hole **2T** = 2 x Tapped holes
P = 1 x Pin Hole **PT** = 1 x Pin Hole through
All threads metric as standard.
See Technical

K - Keyway supplied to
DIN 6885 - Js9 tolerance.
See Technical

To specify different bore enter size required
Example: 18 = 18mm H7 etc
See Technical

Quality Grades and Tolerances stated prior to heat treatment processes.
η_z Meshing Efficiency approx. 98%

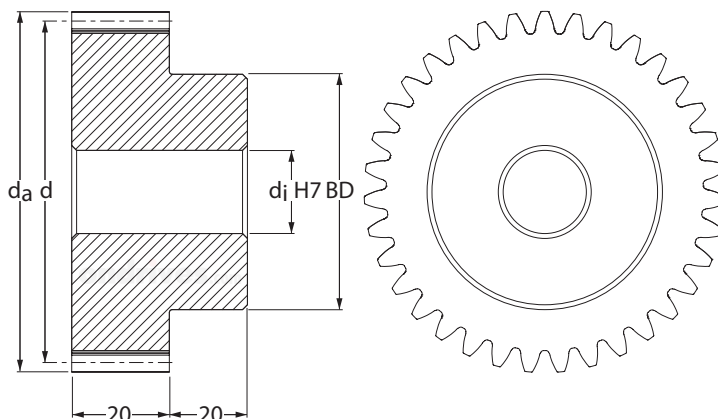
Part Number Standard 817M40T	Backlash (mm) j _{t,e} (max) j _{t,i} (min)	Inertia kgm ²	Mass kg	Torque T ₂ Nm n ₂ 100 Rpm	Part Number Case Hardened 805M20#	Backlash (mm) j _{t,e} (max) j _{t,i} (min)	Inertia kgm ²	Mass kg	Torque T ₂ Nm n ₂ 100 Rpm
PSG1.5-18	0.128 - 0.052	9.05 x 10 ⁻⁶	0.105	5.49	PSG1.5-18H	0.128 - 0.052	9.05 x 10 ⁻⁶	0.105	20.13
PSG1.5-19	0.128 - 0.052	1.05 x 10 ⁻⁵	0.112	5.79	PSG1.5-19H	0.128 - 0.052	1.05 x 10 ⁻⁵	0.112	21.24
PSG1.5-20	0.128 - 0.052	1.23 x 10 ⁻⁵	0.120	7.71	PSG1.5-20H	0.128 - 0.052	1.23 x 10 ⁻⁵	0.120	28.28
PSG1.5-21	0.129 - 0.051	1.60 x 10 ⁻⁵	0.137	8.10	PSG1.5-21H	0.129 - 0.051	1.60 x 10 ⁻⁵	0.137	29.69
PSG1.5-22	0.129 - 0.051	1.84 x 10 ⁻⁵	0.145	8.48	PSG1.5-22H	0.129 - 0.051	1.84 x 10 ⁻⁵	0.145	31.10
PSG1.5-23	0.129 - 0.051	2.10 x 10 ⁻⁵	0.155	8.87	PSG1.5-23H	0.129 - 0.051	2.10 x 10 ⁻⁵	0.155	32.52
PSG1.5-24	0.129 - 0.051	2.40 x 10 ⁻⁵	0.164	9.25	PSG1.5-24H	0.129 - 0.051	2.40 x 10 ⁻⁵	0.164	33.93
PSG1.5-25	0.129 - 0.051	2.75 x 10 ⁻⁵	0.174	9.64	PSG1.5-25H	0.129 - 0.051	2.75 x 10 ⁻⁵	0.174	35.34
PSG1.5-26	0.129 - 0.051	3.13 x 10 ⁻⁵	0.185	11.79	PSG1.5-26H	0.129 - 0.051	3.13 x 10 ⁻⁵	0.185	38.88
PSG1.5-27	0.129 - 0.051	3.57 x 10 ⁻⁵	0.196	12.25	PSG1.5-27H	0.129 - 0.051	3.57 x 10 ⁻⁵	0.196	40.38
PSG1.5-28	0.129 - 0.051	4.05 x 10 ⁻⁵	0.207	12.70	PSG1.5-28H	0.129 - 0.051	4.05 x 10 ⁻⁵	0.207	41.87
PSG1.5-29	0.129 - 0.051	5.86 x 10 ⁻⁵	0.268	13.15	PSG1.5-29H	0.129 - 0.051	5.86 x 10 ⁻⁵	0.268	43.37
PSG1.5-30	0.129 - 0.051	6.45 x 10 ⁻⁵	0.280	14.97	PSG1.5-30H	0.129 - 0.051	6.45 x 10 ⁻⁵	0.280	44.58
PSG1.5-32	0.129 - 0.051	7.84 x 10 ⁻⁵	0.306	15.97	PSG1.5-32H	0.129 - 0.051	7.84 x 10 ⁻⁵	0.306	47.55
PSG1.5-35	0.171 - 0.069	1.05 x 10 ⁻⁴	0.347	17.46	PSG1.5-35H	0.171 - 0.069	1.05 x 10 ⁻⁴	0.347	52.01
PSG1.5-38	0.171 - 0.069	1.68 x 10 ⁻⁴	0.458	18.96	PSG1.5-38H	0.171 - 0.069	1.68 x 10 ⁻⁴	0.458	56.47
PSG1.5-40	0.171 - 0.069	1.96 x 10 ⁻⁴	0.490	25.50	PSG1.5-40H	0.171 - 0.069	1.96 x 10 ⁻⁴	0.490	66.12
PSG1.5-42	0.171 - 0.069	2.28 x 10 ⁻⁴	0.524	26.78	PSG1.5-42H	0.171 - 0.069	2.28 x 10 ⁻⁴	0.524	69.42
PSG1.5-45	0.171 - 0.069	2.85 x 10 ⁻⁴	0.578	28.69	PSG1.5-45H	0.171 - 0.069	2.85 x 10 ⁻⁴	0.578	74.38
PSG1.5-48	0.171 - 0.069	3.55 x 10 ⁻⁴	0.636	30.60	PSG1.5-48H	0.171 - 0.069	3.55 x 10 ⁻⁴	0.636	79.34
PSG1.5-50	0.171 - 0.069	4.68 x 10 ⁻⁴	0.760	37.80	PSG1.5-50H	0.171 - 0.069	4.68 x 10 ⁻⁴	0.760	89.68
PSG1.5-52	0.171 - 0.069	5.29 x 10 ⁻⁴	0.802	39.31	PSG1.5-52H	0.171 - 0.069	5.29 x 10 ⁻⁴	0.802	93.27
PSG1.5-55	0.173 - 0.067	6.36 x 10 ⁻⁴	0.868	41.58	PSG1.5-55H	0.173 - 0.067	6.36 x 10 ⁻⁴	0.868	98.65
PSG1.5-58	0.173 - 0.067	7.62 x 10 ⁻⁴	0.939	43.85	PSG1.5-58H	0.173 - 0.067	7.62 x 10 ⁻⁴	0.939	104.03
PSG1.5-60	0.173 - 0.067	8.57 x 10 ⁻⁴	0.987	53.98	PSG1.5-60H	0.173 - 0.067	8.57 x 10 ⁻⁴	0.987	112.05
PSG1.5-62	0.173 - 0.067	9.63 x 10 ⁻⁴	1.038	55.78	PSG1.5-62H	0.173 - 0.067	9.63 x 10 ⁻⁴	1.038	115.79
PSG1.5-65	0.173 - 0.067	1.14 x 10 ⁻³	1.117	58.48	PSG1.5-65H	0.173 - 0.067	1.14 x 10 ⁻³	1.117	121.39
PSG1.5-68	0.173 - 0.067	1.45 x 10 ⁻³	1.300	61.18	PSG1.5-68H	0.173 - 0.067	1.45 x 10 ⁻³	1.300	127.00
PSG1.5-70	0.173 - 0.067	1.60 x 10 ⁻³	1.357	62.98	PSG1.5-70H	0.173 - 0.067	1.60 x 10 ⁻³	1.357	130.73
PSG1.5-72	0.173 - 0.067	1.76 x 10 ⁻³	1.416	64.78	PSG1.5-72H	0.173 - 0.067	1.76 x 10 ⁻³	1.416	134.47
PSG1.5-75	0.173 - 0.067	2.04 x 10 ⁻³	1.507	67.48	PSG1.5-75H	0.173 - 0.067	2.04 x 10 ⁻³	1.507	140.07
PSG1.5-78	0.173 - 0.067	2.35 x 10 ⁻³	1.602	70.17	PSG1.5-78H	0.173 - 0.067	2.35 x 10 ⁻³	1.602	145.67
PSG1.5-80	0.173 - 0.067	2.58 x 10 ⁻³	1.668	92.13	PSG1.5-80H	0.173 - 0.067	2.58 x 10 ⁻³	1.668	156.66
PSG1.5-82	0.175 - 0.065	2.83 x 10 ⁻³	1.735	94.44	PSG1.5-82H	0.175 - 0.065	2.83 x 10 ⁻³	1.735	160.57
PSG1.5-85	0.227 - 0.097	3.24 x 10 ⁻³	1.839	97.89	PSG1.5-85H	0.227 - 0.097	3.24 x 10 ⁻³	1.839	166.45
PSG1.5-88	0.227 - 0.097	3.69 x 10 ⁻³	1.947	101.35	PSG1.5-88H	0.227 - 0.097	3.69 x 10 ⁻³	1.947	172.32
PSG1.5-90	0.227 - 0.097	4.02 x 10 ⁻³	2.021	103.65	PSG1.5-90H	0.227 - 0.097	4.02 x 10 ⁻³	2.021	176.24
PSG1.5-92	0.227 - 0.097	4.37 x 10 ⁻³	2.096	105.95	PSG1.5-92H	0.227 - 0.097	4.37 x 10 ⁻³	2.096	180.16
PSG1.5-95	0.227 - 0.097	4.94 x 10 ⁻³	2.212	109.41	PSG1.5-95H	0.227 - 0.097	4.94 x 10 ⁻³	2.212	186.03
PSG1.5-98	0.227 - 0.097	5.56 x 10 ⁻³	2.333	112.86	PSG1.5-98H	0.227 - 0.097	5.56 x 10 ⁻³	2.333	191.90

PSG
PSG-H
2.0m_n

PRECISION GEARS

2.0 Module Steel Spur Gear α 20° PA

Quality Grade 7e25 DIN 3961/3967 (AGMA Q10)



DIN 3967 Tooth Thickness tol.

Part Number		No. of Teeth <i>z</i>	Ref. Dia. <i>d</i>	Tip Dia. <i>d_a</i>	Bore H7 <i>d_j</i>	Max. Bore H7 <i>d_j</i>	Hub Dia. <i>BD</i>
Standard 817M40T	Case Hardened 805M20						
PSG2.0-18	PSG2.0-18H	18	36	40	10	16	30
PSG2.0-19	PSG2.0-19H	19	38	42	10	16	30
PSG2.0-20	PSG2.0-20H	20	40	44	10	16	30
PSG2.0-21	PSG2.0-21H	21	42	46	12	20	35
PSG2.0-22	PSG2.0-22H	22	44	48	12	20	35
PSG2.0-23	PSG2.0-23H	23	46	50	12	20	35
PSG2.0-24	PSG2.0-24H	24	48	52	12	20	35
PSG2.0-25	PSG2.0-25H	25	50	54	12	20	35
PSG2.0-26	PSG2.0-26H	26	52	56	12	20	35
PSG2.0-27	PSG2.0-27H	27	54	58	12	20	35
PSG2.0-28	PSG2.0-28H	28	56	60	12	20	35
PSG2.0-29	PSG2.0-29H	29	58	62	14	25	45
PSG2.0-30	PSG2.0-30H	30	60	64	14	25	45
PSG2.0-32	PSG2.0-32H	32	64	68	14	25	45
PSG2.0-35	PSG2.0-35H	35	70	74	14	25	45
PSG2.0-38	PSG2.0-38H	38	76	80	14	25	45
PSG2.0-40	PSG2.0-40H	40	80	84	16	30	55
PSG2.0-42	PSG2.0-42H	42	84	88	16	30	55
PSG2.0-45	PSG2.0-45H	45	90	94	16	30	55
PSG2.0-48	PSG2.0-48H	48	96	100	16	30	55
PSG2.0-50	PSG2.0-50H	50	100	104	20	40	65
PSG2.0-52	PSG2.0-52H	52	104	108	20	40	65
PSG2.0-55	PSG2.0-55H	55	110	114	20	40	65
PSG2.0-58	PSG2.0-58H	58	116	120	20	40	65
PSG2.0-60	PSG2.0-60H	60	120	124	20	40	65
PSG2.0-62	PSG2.0-62H	62	124	128	20	40	65
PSG2.0-65	PSG2.0-65H	65	130	134	20	40	65
PSG2.0-68	PSG2.0-68H	68	136	140	20	40	65
PSG2.0-70	PSG2.0-70H	70	140	144	20	40	65
PSG2.0-72	PSG2.0-72H	72	144	148	20	40	65
PSG2.0-75	PSG2.0-75H	75	150	154	25	40	90
PSG2.0-78	PSG2.0-78H	78	156	160	25	40	90
PSG2.0-80	PSG2.0-80H	80	160	164	25	40	90
PSG2.0-82	PSG2.0-82H	82	164	168	25	40	90
PSG2.0-85	PSG2.0-85H	85	170	174	25	50	120
PSG2.0-88	PSG2.0-88H	88	176	180	25	50	120
PSG2.0-90	PSG2.0-90H	90	180	184	25	50	120
PSG2.0-92	PSG2.0-92H	92	184	188	25	50	120
PSG2.0-95	PSG2.0-95H	95	190	194	25	50	120
PSG2.0-98	PSG2.0-98H	98	196	200	25	50	120

PSG
PSG-H
2.0m_n

PRECISION GEARS

2.0 Module Steel Spur Gear α 20° PA

Quality Grade 7e25 DIN 3961/3967 (AGMA Q10)

Standard Part **PSG** **2.0** **40**

Modified Part **PSG** **2.0** **40** **H** **25** **K** **T**

PSG - Precision Spur Gear
Quality Grade 7e DIN 3961/3967
Other Quality Grades available.
See Technical

m_n Module - Cut with DIN 867 1.25/0.20/1.0
Ref. Tooth Profile Topping WD = 2.25 x m_n

Number of Teeth **z**

Standard Material = 817M40T
H = 805M20 # Case Hardened

T = 1 x Tapped hole **2T** = 2 x Tapped holes
P = 1 x Pin Hole **PT** = 1 x Pin Hole through
All threads metric as standard.
See Technical

K - Keyway supplied to
DIN 6885 - Js9 tolerance.
See Technical

To specify different bore enter size required
Example: 25 = 25mm H7 etc
See Technical

Quality Grades and Tolerances stated prior to heat treatment processes.
η_z Meshing Efficiency approx. 98%

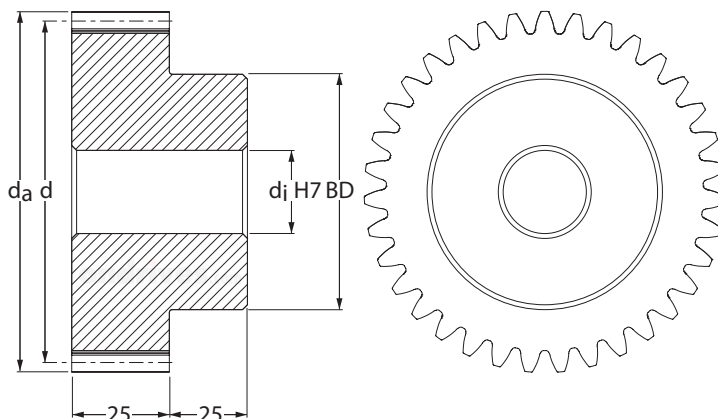
Part Number Standard 817M40T	Backlash (mm) j _{t,e} (max) j _{t,i} (min)	Inertia kgm ²	Mass kg	Torque T ₂ Nm n ₂ 100 Rpm	Part Number Case Hardened 805M20#	Backlash (mm) j _{t,e} (max) j _{t,i} (min)	Inertia kgm ²	Mass kg	Torque T ₂ Nm n ₂ 100 Rpm
PSG2.0-18	0.129 - 0.051	3.90 x 10 ⁻⁵	0.244	12.28	PSG2.0-18H	0.129 - 0.051	3.90 x 10 ⁻⁵	0.244	45.04
PSG2.0-19	0.129 - 0.051	4.53 x 10 ⁻⁵	0.262	12.97	PSG2.0-19H	0.129 - 0.051	4.53 x 10 ⁻⁵	0.262	47.54
PSG2.0-20	0.129 - 0.051	5.26 x 10 ⁻⁵	0.281	17.26	PSG2.0-20H	0.129 - 0.051	5.26 x 10 ⁻⁵	0.281	63.28
PSG2.0-21	0.129 - 0.051	7.14 x 10 ⁻⁵	0.330	18.12	PSG2.0-21H	0.129 - 0.051	7.14 x 10 ⁻⁵	0.330	66.44
PSG2.0-22	0.129 - 0.051	8.12 x 10 ⁻⁵	0.351	18.98	PSG2.0-22H	0.129 - 0.051	8.12 x 10 ⁻⁵	0.351	69.60
PSG2.0-23	0.129 - 0.051	9.24 x 10 ⁻⁵	0.373	19.85	PSG2.0-23H	0.129 - 0.051	9.24 x 10 ⁻⁵	0.373	72.77
PSG2.0-24	0.129 - 0.051	1.05 x 10 ⁻⁴	0.396	20.71	PSG2.0-24H	0.129 - 0.051	1.05 x 10 ⁻⁴	0.396	75.93
PSG2.0-25	0.129 - 0.051	1.20 x 10 ⁻⁴	0.420	21.57	PSG2.0-25H	0.129 - 0.051	1.20 x 10 ⁻⁴	0.420	79.09
PSG2.0-26	0.171 - 0.069	1.36 x 10 ⁻⁴	0.445	26.39	PSG2.0-26H	0.171 - 0.069	1.36 x 10 ⁻⁴	0.445	92.17
PSG2.0-27	0.171 - 0.069	1.54 x 10 ⁻⁴	0.471	27.41	PSG2.0-27H	0.171 - 0.069	1.54 x 10 ⁻⁴	0.471	95.71
PSG2.0-28	0.171 - 0.069	1.75 x 10 ⁻⁴	0.498	28.42	PSG2.0-28H	0.171 - 0.069	1.75 x 10 ⁻⁴	0.498	99.26
PSG2.0-29	0.171 - 0.069	2.37 x 10 ⁻⁴	0.612	29.44	PSG2.0-29H	0.171 - 0.069	2.37 x 10 ⁻⁴	0.612	102.80
PSG2.0-30	0.171 - 0.069	2.62 x 10 ⁻⁴	0.640	33.50	PSG2.0-30H	0.171 - 0.069	2.62 x 10 ⁻⁴	0.640	105.67
PSG2.0-32	0.171 - 0.069	3.20 x 10 ⁻⁴	0.701	35.73	PSG2.0-32H	0.171 - 0.069	3.20 x 10 ⁻⁴	0.701	112.71
PSG2.0-35	0.171 - 0.069	4.31 x 10 ⁻⁴	0.799	39.08	PSG2.0-35H	0.171 - 0.069	4.31 x 10 ⁻⁴	0.799	123.28
PSG2.0-38	0.171 - 0.069	5.74 x 10 ⁻⁴	0.907	42.43	PSG2.0-38H	0.171 - 0.069	5.74 x 10 ⁻⁴	0.907	133.85
PSG2.0-40	0.171 - 0.069	7.67 x 10 ⁻⁴	1.092	57.07	PSG2.0-40H	0.171 - 0.069	7.67 x 10 ⁻⁴	1.092	156.72
PSG2.0-42	0.173 - 0.067	9.01 x 10 ⁻⁴	1.172	59.93	PSG2.0-42H	0.173 - 0.067	9.01 x 10 ⁻⁴	1.172	164.56
PSG2.0-45	0.173 - 0.067	1.14 x 10 ⁻³	1.300	64.21	PSG2.0-45H	0.173 - 0.067	1.14 x 10 ⁻³	1.300	176.31
PSG2.0-48	0.173 - 0.067	1.44 x 10 ⁻³	1.437	68.49	PSG2.0-48H	0.173 - 0.067	1.44 x 10 ⁻³	1.437	188.06
PSG2.0-50	0.173 - 0.067	1.80 x 10 ⁻³	1.646	84.59	PSG2.0-50H	0.173 - 0.067	1.80 x 10 ⁻³	1.646	212.58
PSG2.0-52	0.173 - 0.067	2.06 x 10 ⁻³	1.746	87.98	PSG2.0-52H	0.173 - 0.067	2.06 x 10 ⁻³	1.746	221.08
PSG2.0-55	0.173 - 0.067	2.51 x 10 ⁻³	1.903	93.05	PSG2.0-55H	0.173 - 0.067	2.51 x 10 ⁻³	1.903	233.84
PSG2.0-58	0.173 - 0.067	3.04 x 10 ⁻³	2.070	98.13	PSG2.0-58H	0.173 - 0.067	3.04 x 10 ⁻³	2.070	246.59
PSG2.0-60	0.173 - 0.067	3.44 x 10 ⁻³	2.186	120.80	PSG2.0-60H	0.173 - 0.067	3.44 x 10 ⁻³	2.186	265.61
PSG2.0-62	0.175 - 0.065	3.88 x 10 ⁻³	2.306	124.83	PSG2.0-62H	0.175 - 0.065	3.88 x 10 ⁻³	2.306	274.46
PSG2.0-65	0.227 - 0.097	4.64 x 10 ⁻³	2.493	130.87	PSG2.0-65H	0.227 - 0.097	4.64 x 10 ⁻³	2.493	287.75
PSG2.0-68	0.227 - 0.097	5.50 x 10 ⁻³	2.689	136.91	PSG2.0-68H	0.227 - 0.097	5.50 x 10 ⁻³	2.689	301.03
PSG2.0-70	0.227 - 0.097	6.14 x 10 ⁻³	2.824	140.93	PSG2.0-70H	0.227 - 0.097	6.14 x 10 ⁻³	2.824	309.88
PSG2.0-72	0.227 - 0.097	6.84 x 10 ⁻³	2.964	144.96	PSG2.0-72H	0.227 - 0.097	6.84 x 10 ⁻³	2.964	318.73
PSG2.0-75	0.227 - 0.097	8.74 x 10 ⁻³	3.603	151.00	PSG2.0-75H	0.227 - 0.097	8.74 x 10 ⁻³	3.603	332.01
PSG2.0-78	0.227 - 0.097	1.01 x 10 ⁻²	3.829	157.04	PSG2.0-78H	0.227 - 0.097	1.01 x 10 ⁻²	3.829	345.29
PSG2.0-80	0.227 - 0.097	1.10 x 10 ⁻²	3.984	206.18	PSG2.0-80H	0.227 - 0.097	1.10 x 10 ⁻²	3.984	371.34
PSG2.0-82	0.227 - 0.097	1.21 x 10 ⁻²	4.143	211.34	PSG2.0-82H	0.227 - 0.097	1.21 x 10 ⁻²	4.143	380.62
PSG2.0-85	0.227 - 0.097	1.60 x 10 ⁻²	5.167	219.07	PSG2.0-85H	0.227 - 0.097	1.60 x 10 ⁻²	5.167	394.54
PSG2.0-88	0.227 - 0.097	1.79 x 10 ⁻²	5.422	226.80	PSG2.0-88H	0.227 - 0.097	1.79 x 10 ⁻²	5.422	408.47
PSG2.0-90	0.227 - 0.097	1.92 x 10 ⁻²	5.597	231.95	PSG2.0-90H	0.227 - 0.097	1.92 x 10 ⁻²	5.597	417.75
PSG2.0-92	0.229 - 0.095	2.07 x 10 ⁻²	5.776	237.11	PSG2.0-92H	0.229 - 0.095	2.07 x 10 ⁻²	5.776	427.04
PSG2.0-95	0.229 - 0.095	2.31 x 10 ⁻²	6.052	244.84	PSG2.0-95H	0.229 - 0.095	2.31 x 10 ⁻²	6.052	440.96
PSG2.0-98	0.229 - 0.095	2.58 x 10 ⁻²	6.337	252.57	PSG2.0-98H	0.229 - 0.095	2.58 x 10 ⁻²	6.337	454.89

PSG
PSG-H
2.5m_n

PRECISION GEARS

2.5 Module Steel Spur Gear α 20° PA

Quality Grade 7e25 DIN 3961/3967 (AGMA Q10)



DIN 3967 Tooth Thickness tol.

Part Number		No. of Teeth <i>z</i>	Ref. Dia. <i>d</i>	Tip Dia. <i>d_a</i>	Bore H7 <i>d_j</i>	Max. Bore H7 <i>d_j</i>	Hub Dia. <i>BD</i>
Standard 817M40T	Case Hardened 805M20						
PSG2.5-18	PSG2.5-18H	18	45.0	50.0	14	18	35
PSG2.5-19	PSG2.5-19H	19	47.5	52.5	14	18	35
PSG2.5-20	PSG2.5-20H	20	50.0	55.0	14	18	35
PSG2.5-21	PSG2.5-21H	21	52.5	57.5	14	18	35
PSG2.5-22	PSG2.5-22H	22	55.0	60.0	14	18	35
PSG2.5-23	PSG2.5-23H	23	57.5	62.5	16	25	45
PSG2.5-24	PSG2.5-24H	24	60.0	65.0	16	25	45
PSG2.5-25	PSG2.5-25H	25	62.5	67.5	16	25	45
PSG2.5-26	PSG2.5-26H	26	65.0	70.0	16	25	45
PSG2.5-27	PSG2.5-27H	27	67.5	72.5	16	25	45
PSG2.5-28	PSG2.5-28H	28	70.0	75.0	16	25	45
PSG2.5-29	PSG2.5-29H	29	72.5	77.5	18	35	55
PSG2.5-30	PSG2.5-30H	30	75.0	80.0	18	35	55
PSG2.5-32	PSG2.5-32H	32	80.0	85.0	18	35	55
PSG2.5-35	PSG2.5-35H	35	87.5	92.5	18	35	55
PSG2.5-38	PSG2.5-38H	38	95.0	100.0	20	40	70
PSG2.5-40	PSG2.5-40H	40	100.0	105.0	20	40	70
PSG2.5-42	PSG2.5-42H	42	105.0	110.0	20	40	70
PSG2.5-45	PSG2.5-45H	45	112.5	117.5	20	40	70
PSG2.5-48	PSG2.5-48H	48	120.0	125.0	20	40	70
PSG2.5-50	PSG2.5-50H	50	125.0	130.0	20	40	70
PSG2.5-52	PSG2.5-52H	52	130.0	135.0	20	40	70
PSG2.5-55	PSG2.5-55H	55	137.5	142.5	20	40	70
PSG2.5-58	PSG2.5-58H	58	145.0	150.0	20	40	70
PSG2.5-60	PSG2.5-60H	60	150.0	155.0	20	50	80
PSG2.5-62	PSG2.5-62H	62	155.0	160.0	20	50	90
PSG2.5-65	PSG2.5-65H	65	162.5	167.5	20	50	100
PSG2.5-68	PSG2.5-68H	68	170.0	175.0	20	50	100
PSG2.5-70	PSG2.5-70H	70	175.0	180.0	25	50	100
PSG2.5-72	PSG2.5-72H	72	180.0	185.0	25	50	150
PSG2.5-75	PSG2.5-75H	75	187.5	192.5	25	50	150
PSG2.5-78	PSG2.5-78H	78	195.0	200.0	25	50	150
PSG2.5-80	PSG2.5-80H	80	200.0	205.0	25	50	150
PSG2.5-82	PSG2.5-82H	82	205.0	210.0	25	50	150
PSG2.5-85	PSG2.5-85H	85	212.5	217.5	25	50	150
PSG2.5-88	PSG2.5-88H	88	220.0	225.0	25	50	150
PSG2.5-90	PSG2.5-90H	90	225.0	230.0	25	50	170
PSG2.5-92	PSG2.5-92H	92	230.0	235.0	25	50	170
PSG2.5-95	PSG2.5-95H	95	237.5	242.5	25	50	170
PSG2.5-98	PSG2.5-98H	98	245.0	250.0	25	50	170

PSG
PSG-H
2.5m_n

PRECISION GEARS

2.5 Module Steel Spur Gear α 20° PA

Quality Grade 7e25 DIN 3961/3967 (AGMA Q10)

Standard Part **PSG** **2.5** **40**

Modified Part **PSG** **2.5** **40** **H** **25** **K** **T**

PSG - Precision Spur Gear
Quality Grade 7e DIN 3961/3967
Other Quality Grades available.
See Technical

m_n Module - Cut with DIN 867 1.25/0.20/1.0
Ref. Tooth Profile Topping WD = 2.25 x m_n

Number of Teeth **z**

Standard Material = 817M40T
H = 805M20 # Case Hardened

T = 1 x Tapped hole **2T** = 2 x Tapped holes
P = 1 x Pin Hole **PT** = 1 x Pin Hole through
All threads metric as standard.
See Technical

K - Keyway supplied to
DIN 6885 - Js9 tolerance.
See Technical

To specify different bore enter size required
Example: 25 = 25mm H7 etc
See Technical

Quality Grades and Tolerances stated prior to heat treatment processes.
η_z Meshing Efficiency approx. 98%

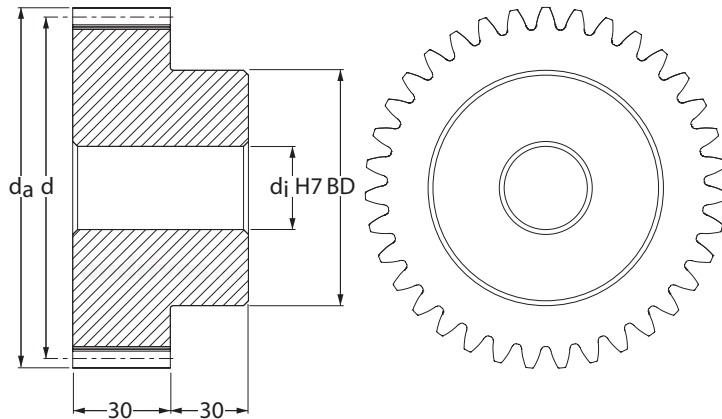
Part Number Standard 817M40T	Backlash (mm) j _{t,e} (max) j _{t,i} (min)	Inertia kgm ²	Mass kg	Torque T ₂ Nm n ₂ 100 Rpm	Part Number Case Hardened 805M20#	Backlash (mm) j _{t,e} (max) j _{t,i} (min)	Inertia kgm ²	Mass kg	Torque T ₂ Nm n ₂ 100 Rpm
PSG2.5-18	0.129 - 0.051	1.09 x 10 ⁻⁴	0.437	22.94	PSG2.5-18H	0.129 - 0.051	1.09 x 10 ⁻⁴	0.437	84.12
PSG2.5-19	0.129 - 0.051	1.29 x 10 ⁻⁴	0.472	24.22	PSG2.5-19H	0.129 - 0.051	1.29 x 10 ⁻⁴	0.472	88.80
PSG2.5-20	0.129 - 0.051	1.51 x 10 ⁻⁴	0.509	32.23	PSG2.5-20H	0.129 - 0.051	1.51 x 10 ⁻⁴	0.509	118.19
PSG2.5-21	0.171 - 0.069	1.77 x 10 ⁻⁴	0.548	33.85	PSG2.5-21H	0.171 - 0.069	1.77 x 10 ⁻⁴	0.548	124.10
PSG2.5-22	0.171 - 0.069	2.07 x 10 ⁻⁴	0.589	35.46	PSG2.5-22H	0.171 - 0.069	2.07 x 10 ⁻⁴	0.589	130.01
PSG2.5-23	0.171 - 0.069	2.90 x 10 ⁻⁴	0.737	37.07	PSG2.5-23H	0.171 - 0.069	2.90 x 10 ⁻⁴	0.737	135.92
PSG2.5-24	0.171 - 0.069	3.29 x 10 ⁻⁴	0.781	38.68	PSG2.5-24H	0.171 - 0.069	3.29 x 10 ⁻⁴	0.781	141.83
PSG2.5-25	0.171 - 0.069	3.73 x 10 ⁻⁴	0.828	40.29	PSG2.5-25H	0.171 - 0.069	3.73 x 10 ⁻⁴	0.828	147.74
PSG2.5-26	0.171 - 0.069	4.23 x 10 ⁻⁴	0.877	49.30	PSG2.5-26H	0.171 - 0.069	4.23 x 10 ⁻⁴	0.877	180.01
PSG2.5-27	0.171 - 0.069	4.78 x 10 ⁻⁴	0.927	51.20	PSG2.5-27H	0.171 - 0.069	4.78 x 10 ⁻⁴	0.927	186.94
PSG2.5-28	0.171 - 0.069	5.40 x 10 ⁻⁴	0.980	53.09	PSG2.5-28H	0.171 - 0.069	5.40 x 10 ⁻⁴	0.980	193.86
PSG2.5-29	0.171 - 0.069	7.05 x 10 ⁻⁴	1.168	54.99	PSG2.5-29H	0.171 - 0.069	7.05 x 10 ⁻⁴	1.168	200.78
PSG2.5-30	0.171 - 0.069	7.82 x 10 ⁻⁴	1.224	62.57	PSG2.5-30H	0.171 - 0.069	7.82 x 10 ⁻⁴	1.224	206.38
PSG2.5-32	0.171 - 0.069	9.60 x 10 ⁻⁴	1.342	66.74	PSG2.5-32H	0.171 - 0.069	9.60 x 10 ⁻⁴	1.342	220.14
PSG2.5-35	0.173 - 0.067	1.30 x 10 ⁻³	1.535	73.00	PSG2.5-35H	0.173 - 0.067	1.30 x 10 ⁻³	1.535	240.78
PSG2.5-38	0.173 - 0.067	2.02 x 10 ⁻³	2.010	79.26	PSG2.5-38H	0.173 - 0.067	2.02 x 10 ⁻³	2.010	261.42
PSG2.5-40	0.173 - 0.067	2.37 x 10 ⁻³	2.159	106.60	PSG2.5-40H	0.173 - 0.067	2.37 x 10 ⁻³	2.159	306.09
PSG2.5-42	0.173 - 0.067	2.78 x 10 ⁻³	2.316	111.93	PSG2.5-42H	0.173 - 0.067	2.78 x 10 ⁻³	2.316	321.40
PSG2.5-45	0.173 - 0.067	3.52 x 10 ⁻³	2.566	119.93	PSG2.5-45H	0.173 - 0.067	3.52 x 10 ⁻³	2.566	344.36
PSG2.5-48	0.173 - 0.067	4.42 x 10 ⁻³	2.833	127.92	PSG2.5-48H	0.173 - 0.067	4.42 x 10 ⁻³	2.833	367.31
PSG2.5-50	0.175 - 0.065	5.12 x 10 ⁻³	3.021	158.01	PSG2.5-50H	0.175 - 0.065	5.12 x 10 ⁻³	3.021	415.19
PSG2.5-52	0.227 - 0.097	5.92 x 10 ⁻³	3.217	164.33	PSG2.5-52H	0.227 - 0.097	5.92 x 10 ⁻³	3.217	431.80
PSG2.5-55	0.227 - 0.097	7.29 x 10 ⁻³	3.524	173.81	PSG2.5-55H	0.227 - 0.097	7.29 x 10 ⁻³	3.524	456.71
PSG2.5-58	0.227 - 0.097	8.90 x 10 ⁻³	3.850	183.29	PSG2.5-58H	0.227 - 0.097	8.90 x 10 ⁻³	3.850	481.62
PSG2.5-60	0.227 - 0.097	1.05 x 10 ⁻²	4.307	225.64	PSG2.5-60H	0.227 - 0.097	1.05 x 10 ⁻²	4.307	518.77
PSG2.5-62	0.227 - 0.097	1.23 x 10 ⁻²	4.803	233.16	PSG2.5-62H	0.227 - 0.097	1.23 x 10 ⁻²	4.803	536.06
PSG2.5-65	0.227 - 0.097	1.52 x 10 ⁻²	5.462	244.44	PSG2.5-65H	0.227 - 0.097	1.52 x 10 ⁻²	5.462	562.00
PSG2.5-68	0.227 - 0.097	1.79 x 10 ⁻²	5.845	255.72	PSG2.5-68H	0.227 - 0.097	1.79 x 10 ⁻²	5.845	587.94
PSG2.5-70	0.227 - 0.097	1.98 x 10 ⁻²	6.040	263.24	PSG2.5-70H	0.227 - 0.097	1.98 x 10 ⁻²	6.040	605.23
PSG2.5-72	0.227 - 0.097	2.98 x 10 ⁻²	8.240	270.77	PSG2.5-72H	0.227 - 0.097	2.98 x 10 ⁻²	8.240	622.53
PSG2.5-75	0.229 - 0.095	3.34 x 10 ⁻²	8.663	282.05	PSG2.5-75H	0.229 - 0.095	3.34 x 10 ⁻²	8.663	648.46
PSG2.5-78	0.229 - 0.095	3.74 x 10 ⁻²	9.104	293.33	PSG2.5-78H	0.229 - 0.095	3.74 x 10 ⁻²	9.104	674.40
PSG2.5-80	0.229 - 0.095	4.03 x 10 ⁻²	9.407	385.12	PSG2.5-80H	0.229 - 0.095	4.03 x 10 ⁻²	9.407	725.26
PSG2.5-82	0.229 - 0.095	4.35 x 10 ⁻²	9.718	394.75	PSG2.5-82H	0.229 - 0.095	4.35 x 10 ⁻²	9.718	743.40
PSG2.5-85	0.229 - 0.095	4.87 x 10 ⁻²	10.199	409.19	PSG2.5-85H	0.229 - 0.095	4.87 x 10 ⁻²	10.199	770.59
PSG2.5-88	0.229 - 0.095	5.45 x 10 ⁻²	10.698	423.63	PSG2.5-88H	0.229 - 0.095	5.45 x 10 ⁻²	10.698	797.79
PSG2.5-90	0.229 - 0.095	6.51 x 10 ⁻²	12.026	433.26	PSG2.5-90H	0.229 - 0.095	6.51 x 10 ⁻²	12.026	815.92
PSG2.5-92	0.229 - 0.095	6.96 x 10 ⁻²	12.376	442.89	PSG2.5-92H	0.229 - 0.095	6.96 x 10 ⁻²	12.376	834.05
PSG2.5-95	0.229 - 0.095	7.69 x 10 ⁻²	12.915	457.33	PSG2.5-95H	0.229 - 0.095	7.69 x 10 ⁻²	12.915	861.25
PSG2.5-98	0.229 - 0.095	8.50 x 10 ⁻²	13.471	471.78	PSG2.5-98H	0.229 - 0.095	8.50 x 10 ⁻²	13.471	888.45

PSG
PSG-H
3.0m_n

PRECISION GEARS

3.0 Module Steel Spur Gear α 20° PA

Quality Grade 7e25 DIN 3961/3967 (AGMA Q10)



DIN 3967 Tooth Thickness tol.

Part Number		No. of Teeth <i>z</i>	Ref. Dia. <i>d</i>	Tip Dia. <i>d_a</i>	Bore H7 <i>d_j</i>	Max. Bore H7 <i>d_j</i>	Hub Dia. <i>BD</i>
Standard 817M40T	Case Hardened 805M20						
PSG3.0-18	PSG3.0-18H	18	54	60	14	25	45
PSG3.0-19	PSG3.0-19H	19	57	63	14	25	45
PSG3.0-20	PSG3.0-20H	20	60	66	14	25	45
PSG3.0-21	PSG3.0-21H	21	63	69	16	30	55
PSG3.0-22	PSG3.0-22H	22	66	72	16	30	55
PSG3.0-23	PSG3.0-23H	23	69	75	16	30	55
PSG3.0-24	PSG3.0-24H	24	72	78	16	30	55
PSG3.0-25	PSG3.0-25H	25	75	81	16	30	55
PSG3.0-26	PSG3.0-26H	26	78	84	16	30	55
PSG3.0-27	PSG3.0-27H	27	81	87	16	30	55
PSG3.0-28	PSG3.0-28H	28	84	90	16	30	55
PSG3.0-29	PSG3.0-29H	29	87	93	18	40	70
PSG3.0-30	PSG3.0-30H	30	90	96	18	40	70
PSG3.0-32	PSG3.0-32H	32	96	102	18	40	70
PSG3.0-35	PSG3.0-35H	35	105	111	18	40	70
PSG3.0-38	PSG3.0-38H	38	114	120	18	40	70
PSG3.0-40	PSG3.0-40H	40	120	126	18	40	70
PSG3.0-42	PSG3.0-42H	42	126	132	18	40	80
PSG3.0-45	PSG3.0-45H	45	135	141	18	40	80
PSG3.0-48	PSG3.0-48H	48	144	150	18	40	80
PSG3.0-50	PSG3.0-50H	50	150	156	20	50	90
PSG3.0-52	PSG3.0-52H	52	156	162	20	50	90
PSG3.0-55	PSG3.0-55H	55	165	171	20	50	120
PSG3.0-58	PSG3.0-58H	58	174	180	20	50	120
PSG3.0-60	PSG3.0-60H	60	180	186	20	50	120
PSG3.0-62	PSG3.0-62H	62	186	192	25	50	120
PSG3.0-65	PSG3.0-65H	65	195	201	25	50	120
PSG3.0-68	PSG3.0-68H	68	204	210	25	50	150
PSG3.0-70	PSG3.0-70H	70	210	216	25	50	150
PSG3.0-72	PSG3.0-72H	72	216	222	25	50	150
PSG3.0-75	PSG3.0-75H	75	225	231	25	50	150
PSG3.0-78	PSG3.0-78H	78	234	240	25	50	150
PSG3.0-80	PSG3.0-80H	80	240	246	30	50	200
PSG3.0-82	PSG3.0-82H	82	246	252	30	50	200
PSG3.0-85	PSG3.0-85H	85	255	261	30	50	200
PSG3.0-88	PSG3.0-88H	88	264	270	30	50	200
PSG3.0-90	PSG3.0-90H	90	270	276	30	50	200
PSG3.0-100	PSG3.0-100H	100	300	306	30	50	250
PSG3.0-110	PSG3.0-110H	110	330	336	30	50	250
PSG3.0-120	PSG3.0-120H	120	360	366	30	50	250
PSG3.0-130	PSG3.0-130H	130	390	396	30	50	250

PSG
PSG-H
3.0m_n

PRECISION GEARS

3.0 Module Steel Spur Gear α 20° PA

Quality Grade 7e25 DIN 3961/3967 (AGMA Q10)

Standard Part **PSG** **3.0** **40**

Modified Part **PSG** **3.0** **40** **H** **30** **K** **T**

PSG - Precision Spur Gear
Quality Grade 7e DIN 3961/3967
Other Quality Grades available.
See Technical

m_n Module - Cut with DIN 867 1.25/0.20/1.0
Ref. Tooth Profile Topping WD = 2.25 x m_n

Number of Teeth **z**

Standard Material = 817M40T
H = 805M20 # Case Hardened

T = 1 x Tapped hole **2T** = 2 x Tapped holes
P = 1 x Pin Hole **PT** = 1 x Pin Hole through
All threads metric as standard.
See Technical

K - Keyway supplied to
DIN 6885 - Js9 tolerance.
See Technical

To specify different bore enter size required
Example: 30 = 30mm H7 etc
See Technical

Quality Grades and Tolerances stated prior to heat treatment processes.
η_z Meshing Efficiency approx. 98%

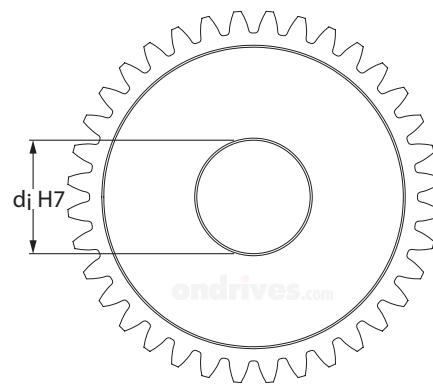
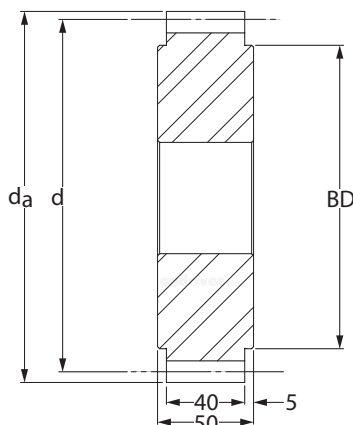
Part Number Standard 817M40T	Backlash (mm) j _{t,e} (max) j _{t,i} (min)	Inertia kgm ²	Mass kg	Torque T ₂ Nm n ₂ 100 Rpm	Part Number Case Hardened 805M20#	Backlash (mm) j _{t,e} (max) j _{t,i} (min)	Inertia kgm ²	Mass kg	Torque T ₂ Nm n ₂ 100 Rpm
PSG3.0-18	0.171 - 0.069	2.97 x 10 ⁻⁴	0.835	38.23	PSG3.0-18H	0.171 - 0.069	2.97 x 10 ⁻⁴	0.835	140.16
PSG3.0-19	0.171 - 0.069	3.45 x 10 ⁻⁴	0.896	40.35	PSG3.0-19H	0.171 - 0.069	3.45 x 10 ⁻⁴	0.896	147.95
PSG3.0-20	0.171 - 0.069	4.00 x 10 ⁻⁴	0.960	53.71	PSG3.0-20H	0.171 - 0.069	4.00 x 10 ⁻⁴	0.960	196.92
PSG3.0-21	0.171 - 0.069	5.80 x 10 ⁻⁴	1.190	56.39	PSG3.0-21H	0.171 - 0.069	5.80 x 10 ⁻⁴	1.190	206.77
PSG3.0-22	0.171 - 0.069	6.55 x 10 ⁻⁴	1.261	59.08	PSG3.0-22H	0.171 - 0.069	6.55 x 10 ⁻⁴	1.261	216.61
PSG3.0-23	0.171 - 0.069	7.40 x 10 ⁻⁴	1.335	61.76	PSG3.0-23H	0.171 - 0.069	7.40 x 10 ⁻⁴	1.335	226.46
PSG3.0-24	0.171 - 0.069	8.37 x 10 ⁻⁴	1.412	64.45	PSG3.0-24H	0.171 - 0.069	8.37 x 10 ⁻⁴	1.412	236.31
PSG3.0-25	0.171 - 0.069	9.46 x 10 ⁻⁴	1.493	67.13	PSG3.0-25H	0.171 - 0.069	9.46 x 10 ⁻⁴	1.493	246.15
PSG3.0-26	0.171 - 0.069	1.07 x 10 ⁻³	1.577	82.14	PSG3.0-26H	0.171 - 0.069	1.07 x 10 ⁻³	1.577	301.17
PSG3.0-27	0.173 - 0.067	1.21 x 10 ⁻³	1.664	85.30	PSG3.0-27H	0.173 - 0.067	1.21 x 10 ⁻³	1.664	312.76
PSG3.0-28	0.173 - 0.067	1.36 x 10 ⁻³	1.755	88.46	PSG3.0-28H	0.173 - 0.067	1.36 x 10 ⁻³	1.755	324.34
PSG3.0-29	0.173 - 0.067	1.88 x 10 ⁻³	2.171	91.62	PSG3.0-29H	0.173 - 0.067	1.88 x 10 ⁻³	2.171	335.93
PSG3.0-30	0.173 - 0.067	2.07 x 10 ⁻³	2.268	104.25	PSG3.0-30H	0.173 - 0.067	2.07 x 10 ⁻³	2.268	356.63
PSG3.0-32	0.173 - 0.067	2.51 x 10 ⁻³	2.473	111.20	PSG3.0-32H	0.173 - 0.067	2.51 x 10 ⁻³	2.473	380.40
PSG3.0-35	0.173 - 0.067	3.35 x 10 ⁻³	2.805	121.63	PSG3.0-35H	0.173 - 0.067	3.35 x 10 ⁻³	2.805	416.07
PSG3.0-38	0.173 - 0.067	4.43 x 10 ⁻³	3.167	132.05	PSG3.0-38H	0.173 - 0.067	4.43 x 10 ⁻³	3.167	451.73
PSG3.0-40	0.173 - 0.067	5.32 x 10 ⁻³	3.425	177.62	PSG3.0-40H	0.173 - 0.067	5.32 x 10 ⁻³	3.425	528.93
PSG3.0-42	0.227 - 0.097	6.73 x 10 ⁻³	3.974	186.50	PSG3.0-42H	0.227 - 0.097	6.73 x 10 ⁻³	3.974	555.38
PSG3.0-45	0.227 - 0.097	8.57 x 10 ⁻³	4.406	199.82	PSG3.0-45H	0.227 - 0.097	8.57 x 10 ⁻³	4.406	595.05
PSG3.0-48	0.227 - 0.097	1.08 x 10 ⁻²	4.868	213.14	PSG3.0-48H	0.227 - 0.097	1.08 x 10 ⁻²	4.868	634.72
PSG3.0-50	0.227 - 0.097	1.31 x 10 ⁻²	5.479	269.49	PSG3.0-50H	0.227 - 0.097	1.31 x 10 ⁻²	5.479	717.45
PSG3.0-52	0.227 - 0.097	1.51 x 10 ⁻²	5.817	289.26	PSG3.0-52H	0.227 - 0.097	1.51 x 10 ⁻²	5.817	752.30
PSG3.0-55	0.227 - 0.097	2.18 x 10 ⁻²	7.514	320.08	PSG3.0-55H	0.227 - 0.097	2.18 x 10 ⁻²	7.514	805.47
PSG3.0-58	0.227 - 0.097	2.58 x 10 ⁻²	8.076	352.29	PSG3.0-58H	0.227 - 0.097	2.58 x 10 ⁻²	8.076	859.69
PSG3.0-60	0.227 - 0.097	2.89 x 10 ⁻²	8.467	374.52	PSG3.0-60H	0.227 - 0.097	2.89 x 10 ⁻²	8.467	896.44
PSG3.0-62	0.229 - 0.095	3.22 x 10 ⁻²	8.788	397.36	PSG3.0-62H	0.229 - 0.095	3.22 x 10 ⁻²	8.788	931.76
PSG3.0-65	0.229 - 0.095	3.79 x 10 ⁻²	9.420	432.74	PSG3.0-65H	0.229 - 0.095	3.79 x 10 ⁻²	9.420	985.40
PSG3.0-68	0.229 - 0.095	5.14 x 10 ⁻²	11.580	469.46	PSG3.0-68H	0.229 - 0.095	5.14 x 10 ⁻²	11.580	1,039.84
PSG3.0-70	0.229 - 0.095	5.63 x 10 ⁻²	12.037	494.68	PSG3.0-70H	0.229 - 0.095	5.63 x 10 ⁻²	12.037	1,076.56
PSG3.0-72	0.229 - 0.095	6.16 x 10 ⁻²	12.509	520.49	PSG3.0-72H	0.229 - 0.095	6.16 x 10 ⁻²	12.509	1,111.44
PSG3.0-75	0.229 - 0.095	7.05 x 10 ⁻²	13.240	560.30	PSG3.0-75H	0.229 - 0.095	7.05 x 10 ⁻²	13.240	1,164.19
PSG3.0-78	0.229 - 0.095	8.05 x 10 ⁻²	14.002	601.40	PSG3.0-78H	0.229 - 0.095	8.05 x 10 ⁻²	14.002	1,217.46
PSG3.0-80	0.229 - 0.095	1.13 x 10 ⁻¹	17.661	629.53	PSG3.0-80H	0.229 - 0.095	1.13 x 10 ⁻¹	17.661	1,253.26
PSG3.0-82	0.229 - 0.095	1.21 x 10 ⁻¹	18.199	658.22	PSG3.0-82H	0.229 - 0.095	1.21 x 10 ⁻¹	18.199	1,287.56
PSG3.0-85	0.231 - 0.093	1.34 x 10 ⁻¹	19.030	702.33	PSG3.0-85H	0.231 - 0.093	1.34 x 10 ⁻¹	19.030	1,339.29
PSG3.0-88	0.231 - 0.093	1.48 x 10 ⁻¹	19.892	747.72	PSG3.0-88H	0.231 - 0.093	1.48 x 10 ⁻¹	19.892	1,391.34
PSG3.0-90	0.231 - 0.093	1.59 x 10 ⁻¹	20.483	778.67	PSG3.0-90H	0.231 - 0.093	1.59 x 10 ⁻¹	20.483	1,426.23
PSG3.0-100	0.289 - 0.131	2.76 x 10 ⁻¹	27.799	941.79	PSG3.0-100H	0.289 - 0.131	2.76 x 10 ⁻¹	27.799	1,602.82
PSG3.0-110	0.290 - 0.130	3.63 x 10 ⁻¹	31.286	1,118.61	PSG3.0-110H	0.290 - 0.130	3.63 x 10 ⁻¹	31.286	1,770.66
PSG3.0-120	0.290 - 0.130	4.76 x 10 ⁻¹	35.107	1,241.52	PSG3.0-120H	0.290 - 0.130	4.76 x 10 ⁻¹	35.107	1,939.88
PSG3.0-130	0.290 - 0.130	6.22 x 10 ⁻¹	39.260	1,350.70	PSG3.0-130H	0.290 - 0.130	6.22 x 10 ⁻¹	39.260	2,110.46

PSG
PSG-H
4.0m_n

PRECISION GEARS

4.0 Module Steel Spur Gear α 20° PA

Quality Grade 7e25 DIN 3961/3967 (AGMA Q10)



DIN 3967 Tooth Thickness tol.

Part Number		No. of Teeth <i>z</i>	Ref. Dia. <i>d</i>	Tip Dia. <i>d_a</i>	Bore H7 <i>d_j</i>	Max. Bore H7 <i>d_j</i>	Hub Dia. <i>BD</i>
Standard 817M40T	Case Hardened 805M20						
PSG4.0-18	PSG4.0-18H	18	72	80	14	30	42
PSG4.0-20	PSG4.0-20H	20	80	88	16	30	50
PSG4.0-22	PSG4.0-22H	22	88	96	16	36	58
PSG4.0-24	PSG4.0-24H	24	96	104	16	40	66
PSG4.0-25	PSG4.0-25H	25	100	108	20	42	70
PSG4.0-30	PSG4.0-30H	30	120	128	24	50	90
PSG4.0-32	PSG4.0-32H	32	128	136	24	60	98
PSG4.0-35	PSG4.0-35H	35	140	148	24	65	110
PSG4.0-36	PSG4.0-36H	36	144	152	28	72	114
PSG4.0-38	PSG4.0-38H	38	152	160	30	72	122
PSG4.0-40	PSG4.0-40H	40	160	168	36	80	130
PSG4.0-42	PSG4.0-42H	42	168	176	36	80	138
PSG4.0-45	PSG4.0-45H	45	180	188	40	90	150
PSG4.0-46	PSG4.0-46H	46	184	192	40	90	154
PSG4.0-48	PSG4.0-48H	48	192	200	42	95	162
PSG4.0-50	PSG4.0-50H	50	200	208	42	100	170
PSG4.0-52	PSG4.0-52H	52	208	216	48	100	178
PSG4.0-55	PSG4.0-55H	55	220	228	48	110	190
PSG4.0-56	PSG4.0-56H	56	224	232	50	110	194
PSG4.0-58	PSG4.0-58H	58	232	240	60	120	202
PSG4.0-60	PSG4.0-60H	60	240	248	60	125	210
PSG4.0-62	PSG4.0-62H	62	248	256	65	130	218
PSG4.0-65	PSG4.0-65H	65	260	268	72	135	230
PSG4.0-66	PSG4.0-66H	66	264	272	72	135	234
PSG4.0-68	PSG4.0-68H	68	272	280	72	140	242
PSG4.0-70	PSG4.0-70H	70	280	288	78	150	250
PSG4.0-72	PSG4.0-72H	72	288	296	78	150	258
PSG4.0-75	PSG4.0-75H	75	300	308	80	160	270
PSG4.0-76	PSG4.0-76H	76	304	312	80	160	274
PSG4.0-78	PSG4.0-78H	78	312	320	80	170	282
PSG4.0-80	PSG4.0-80H	80	320	328	80	170	290
PSG4.0-82	PSG4.0-82H	82	328	336	80	180	298
PSG4.0-85	PSG4.0-85H	85	340	348	82	190	310
PSG4.0-88	PSG4.0-88H	88	352	360	85	200	322
PSG4.0-90	PSG4.0-90H	90	360	368	90	200	330
PSG4.0-92	PSG4.0-92H	92	368	376	90	210	338
PSG4.0-95	PSG4.0-95H	95	380	388	90	210	350
PSG4.0-98	PSG4.0-98H	98	392	400	100	220	362
PSG4.0-100	PSG4.0-100H	100	400	408	100	230	370
PSG4.0-110	PSG4.0-110H	110	440	448	110	250	410

PSG
PSG-H
4.0m_n

PRECISION GEARS

4.0 Module Steel Spur Gear α 20° PA

Quality Grade 7e25 DIN 3961/3967 (AGMA Q10)

Standard Part **PSG** **4.0** **40**

Modified Part **PSG** **4.0** **40** **H** **50** **K**

PSG - Precision Spur Gear
Quality Grade 7e DIN 3961/3967
Other Quality Grades available.
See Technical

m_n Module - Cut with DIN 867 1.25/0.20/1.0
Ref. Tooth Profile Topping WD = 2.25 x m_n

Number of Teeth **z**

Standard Material = 817M40T
H = 805M20 # Case Hardened

K - Keyway supplied to
DIN 6885 - Js9 tolerance.
See Technical

To specify different bore enter size required
Example: 50 = 50mm H7 etc
See Technical

Quality Grades and Tolerances stated prior to heat treatment processes.
η_z Meshing Efficiency approx. 98%

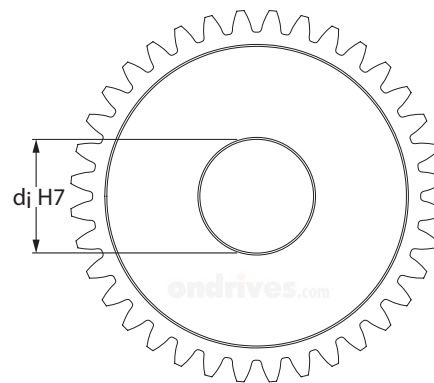
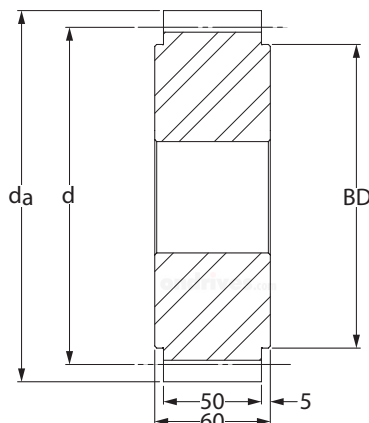
Part Number Standard 817M40T	Backlash (mm) j _{t,e} (max) j _{t,i} (min)	Inertia kgm ²	Mass kg	Torque T ₂ Nm n ₂ 100 Rpm	Part Number Case Hardened 805M20#	Backlash (mm) j _{t,e} (max) j _{t,i} (min)	Inertia kgm ²	Mass kg	Torque T ₂ Nm n ₂ 100 Rpm
PSG4.0-18	0.171 - 0.069	8.82 x 10 ⁻⁴	1.311	86	PSG4.0-18H	0.171 - 0.069	8.82 x 10 ⁻⁴	1.311	314
PSG4.0-20	0.171 - 0.069	1.34 x 10 ⁻³	1.634	120	PSG4.0-20H	0.171 - 0.069	1.34 x 10 ⁻³	1.634	441
PSG4.0-22	0.173 - 0.067	1.96 x 10 ⁻³	2.015	132	PSG4.0-22H	0.173 - 0.067	1.96 x 10 ⁻³	2.015	485
PSG4.0-24	0.173 - 0.067	2.79 x 10 ⁻³	2.435	144	PSG4.0-24H	0.173 - 0.067	2.79 x 10 ⁻³	2.435	529
PSG4.0-25	0.173 - 0.067	3.29 x 10 ⁻³	2.616	150	PSG4.0-25H	0.173 - 0.067	3.29 x 10 ⁻³	2.616	551
PSG4.0-30	0.173 - 0.067	6.89 x 10 ⁻³	3.834	233	PSG4.0-30H	0.173 - 0.067	6.89 x 10 ⁻³	3.834	845
PSG4.0-32	0.227 - 0.097	8.96 x 10 ⁻³	4.412	249	PSG4.0-32H	0.227 - 0.097	8.96 x 10 ⁻³	4.412	902
PSG4.0-35	0.227 - 0.097	1.29 x 10 ⁻²	5.353	272	PSG4.0-35H	0.227 - 0.097	1.29 x 10 ⁻²	5.353	986
PSG4.0-36	0.227 - 0.097	1.45 x 10 ⁻²	5.623	280	PSG4.0-36H	0.227 - 0.097	1.45 x 10 ⁻²	5.623	1,014
PSG4.0-38	0.227 - 0.097	1.80 x 10 ⁻²	6.283	296	PSG4.0-38H	0.227 - 0.097	1.80 x 10 ⁻²	6.283	1,071
PSG4.0-40	0.227 - 0.097	2.22 x 10 ⁻²	6.897	397	PSG4.0-40H	0.227 - 0.097	2.22 x 10 ⁻²	6.897	1,254
PSG4.0-42	0.227 - 0.097	2.71 x 10 ⁻²	7.672	417	PSG4.0-42H	0.227 - 0.097	2.71 x 10 ⁻²	7.672	1,316
PSG4.0-45	0.227 - 0.097	3.59 x 10 ⁻²	8.816	447	PSG4.0-45H	0.227 - 0.097	3.59 x 10 ⁻²	8.816	1,410
PSG4.0-46	0.229 - 0.095	3.93 x 10 ⁻²	9.248	457	PSG4.0-46H	0.229 - 0.095	3.93 x 10 ⁻²	9.248	1,442
PSG4.0-48	0.229 - 0.095	4.68 x 10 ⁻²	10.091	477	PSG4.0-48H	0.229 - 0.095	4.68 x 10 ⁻²	10.091	1,505
PSG4.0-50	0.229 - 0.095	5.53 x 10 ⁻²	11.024	589	PSG4.0-50H	0.229 - 0.095	5.53 x 10 ⁻²	11.024	1,701
PSG4.0-52	0.229 - 0.095	6.48 x 10 ⁻²	11.830	613	PSG4.0-52H	0.229 - 0.095	6.48 x 10 ⁻²	11.830	1,769
PSG4.0-55	0.229 - 0.095	8.15 x 10 ⁻²	13.363	648	PSG4.0-55H	0.229 - 0.095	8.15 x 10 ⁻²	13.363	1,871
PSG4.0-56	0.229 - 0.095	8.77 x 10 ⁻²	13.834	660	PSG4.0-56H	0.229 - 0.095	8.77 x 10 ⁻²	13.834	1,905
PSG4.0-58	0.229 - 0.095	1.01 x 10 ⁻¹	14.586	683	PSG4.0-58H	0.229 - 0.095	1.01 x 10 ⁻¹	14.586	1,973
PSG4.0-60	0.229 - 0.095	1.16 x 10 ⁻¹	15.716	841	PSG4.0-60H	0.229 - 0.095	1.16 x 10 ⁻¹	15.716	2,125
PSG4.0-62	0.229 - 0.095	1.32 x 10 ⁻¹	16.693	869	PSG4.0-62H	0.229 - 0.095	1.32 x 10 ⁻¹	16.693	2,196
PSG4.0-65	0.231 - 0.093	1.60 x 10 ⁻¹	18.227	911	PSG4.0-65H	0.231 - 0.093	1.60 x 10 ⁻¹	18.227	2,302
PSG4.0-66	0.231 - 0.093	1.71 x 10 ⁻¹	18.856	925	PSG4.0-66H	0.231 - 0.093	1.71 x 10 ⁻¹	18.856	2,337
PSG4.0-68	0.231 - 0.093	1.93 x 10 ⁻¹	20.144	953	PSG4.0-68H	0.231 - 0.093	1.93 x 10 ⁻¹	20.144	2,408
PSG4.0-70	0.231 - 0.093	2.17 x 10 ⁻¹	21.195	982	PSG4.0-70H	0.231 - 0.093	2.17 x 10 ⁻¹	21.195	2,479
PSG4.0-72	0.289 - 0.131	2.43 x 10 ⁻¹	22.562	1,010	PSG4.0-72H	0.289 - 0.131	2.43 x 10 ⁻¹	22.562	2,550
PSG4.0-75	0.289 - 0.131	2.87 x 10 ⁻¹	24.589	1,052	PSG4.0-75H	0.289 - 0.131	2.87 x 10 ⁻¹	24.589	2,656
PSG4.0-76	0.289 - 0.131	3.03 x 10 ⁻¹	25.317	1,066	PSG4.0-76H	0.289 - 0.131	3.03 x 10 ⁻¹	25.317	2,692
PSG4.0-78	0.289 - 0.131	3.37 x 10 ⁻¹	26.803	1,094	PSG4.0-78H	0.289 - 0.131	3.37 x 10 ⁻¹	26.803	2,762
PSG4.0-80	0.291 - 0.129	3.74 x 10 ⁻¹	28.328	1,436	PSG4.0-80H	0.291 - 0.129	3.74 x 10 ⁻¹	28.328	2,971
PSG4.0-82	0.291 - 0.129	4.13 x 10 ⁻¹	29.892	1,472	PSG4.0-82H	0.291 - 0.129	4.13 x 10 ⁻¹	29.892	3,045
PSG4.0-85	0.291 - 0.129	4.78 x 10 ⁻¹	32.213	1,526	PSG4.0-85H	0.291 - 0.129	4.78 x 10 ⁻¹	32.213	3,156
PSG4.0-88	0.291 - 0.129	5.51 x 10 ⁻¹	34.568	1,580	PSG4.0-88H	0.291 - 0.129	5.51 x 10 ⁻¹	34.568	3,268
PSG4.0-90	0.291 - 0.129	6.03 x 10 ⁻¹	36.021	1,615	PSG4.0-90H	0.291 - 0.129	6.03 x 10 ⁻¹	36.021	3,342
PSG4.0-92	0.291 - 0.129	6.59 x 10 ⁻¹	37.783	1,651	PSG4.0-92H	0.291 - 0.129	6.59 x 10 ⁻¹	37.783	3,416
PSG4.0-95	0.291 - 0.129	7.51 x 10 ⁻¹	40.500	1,705	PSG4.0-95H	0.291 - 0.129	7.51 x 10 ⁻¹	40.500	3,528
PSG4.0-98	0.291 - 0.129	8.51 x 10 ⁻¹	42.719	1,759	PSG4.0-98H	0.291 - 0.129	8.51 x 10 ⁻¹	42.719	3,639
PSG4.0-100	0.291 - 0.129	9.24 x 10 ⁻¹	44.639	2,164	PSG4.0-100H	0.291 - 0.129	9.24 x 10 ⁻¹	44.639	3,799
PSG4.0-110	0.291 - 0.129	1.36	54.182	2,381	PSG4.0-110H	0.291 - 0.129	1.36	54.182	4,179

PSG
PSG-H
5.0m_n

PRECISION GEARS

5.0 Module Steel Spur Gear α 20° PA

Quality Grade 7e25 DIN 3961/3967 (AGMA Q10)



DIN 3967 Tooth Thickness tol.

Part Number		No. of Teeth <i>z</i>	Ref. Dia. <i>d</i>	Tip Dia. <i>d_a</i>	Bore H7 <i>d_j</i>	Max. Bore H7 <i>d_j</i>	Hub Dia. <i>BD</i>
Standard 817M40T	Case Hardened 805M20						
PSG5.0-18	PSG5.0-18H	18	90	100	20	30	60
PSG5.0-20	PSG5.0-20H	20	100	110	20	42	70
PSG5.0-22	PSG5.0-22H	22	110	120	20	42	70
PSG5.0-24	PSG5.0-24H	24	120	130	24	48	80
PSG5.0-25	PSG5.0-25H	25	125	135	28	50	85
PSG5.0-30	PSG5.0-30H	30	150	160	28	65	110
PSG5.0-32	PSG5.0-32H	32	160	170	30	72	120
PSG5.0-35	PSG5.0-35H	35	175	185	36	80	135
PSG5.0-36	PSG5.0-36H	36	180	190	36	80	140
PSG5.0-38	PSG5.0-38H	38	190	200	40	90	150
PSG5.0-40	PSG5.0-40H	40	200	210	42	95	160
PSG5.0-42	PSG5.0-42H	42	210	220	42	100	170
PSG5.0-45	PSG5.0-45H	45	225	235	48	110	185
PSG5.0-46	PSG5.0-46H	46	230	240	50	110	190
PSG5.0-48	PSG5.0-48H	48	240	250	60	120	200
PSG5.0-50	PSG5.0-50H	50	250	260	60	125	210
PSG5.0-52	PSG5.0-52H	52	260	270	72	130	220
PSG5.0-55	PSG5.0-55H	55	275	285	78	140	235
PSG5.0-56	PSG5.0-56H	56	280	290	78	140	240
PSG5.0-58	PSG5.0-58H	58	290	300	80	150	250
PSG5.0-60	PSG5.0-60H	60	300	310	80	150	260
PSG5.0-62	PSG5.0-62H	62	310	320	90	160	270
PSG5.0-65	PSG5.0-65H	65	325	335	90	170	285
PSG5.0-66	PSG5.0-66H	66	330	340	95	190	290
PSG5.0-68	PSG5.0-68H	68	340	350	95	200	300
PSG5.0-70	PSG5.0-70H	70	350	360	100	200	310
PSG5.0-72	PSG5.0-72H	72	360	370	100	210	320
PSG5.0-75	PSG5.0-75H	75	375	385	110	220	335
PSG5.0-76	PSG5.0-76H	76	380	390	110	220	340
PSG5.0-78	PSG5.0-78H	78	390	400	110	230	350
PSG5.0-80	PSG5.0-80H	80	400	410	120	240	360
PSG5.0-82	PSG5.0-82H	82	410	420	120	240	370
PSG5.0-85	PSG5.0-85H	85	425	435	120	250	385
PSG5.0-88	PSG5.0-88H	88	440	450	130	260	400

PSG
PSG-H
5.0m_n

PRECISION GEARS

5.0 Module Steel Spur Gear α 20° PA

Quality Grade 7e25 DIN 3961/3967 (AGMA Q10)

Standard Part **PSG** **5.0** **40**

Modified Part **PSG** **5.0** **40** **H** **50** **K**

PSG - Precision Spur Gear
Quality Grade 7e DIN 3961/3967
Other Quality Grades available.
See Technical

m_n Module - Cut with DIN 867 1.25/0.20/1.0
Ref. Tooth Profile Topping WD = 2.25 x m_n

Number of Teeth **z**

Standard Material = 817M40T
H = 805M20 # Case Hardened

K- Keyway supplied to
DIN 6885 - Js9 tolerance.
See Technical

To specify different bore enter size required
Example: 50 = 50mm H7 etc
See Technical

Quality Grades and Tolerances stated prior to heat treatment processes.
ηz Meshing Efficiency approx. 98%

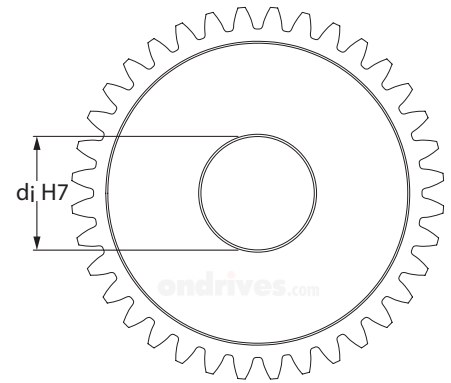
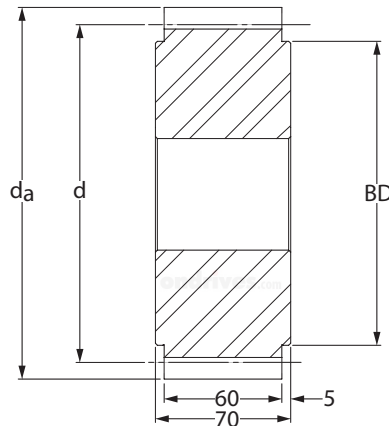
Part Number Standard 817M40T	Backlash (mm) j _{t,e} (max) j _{t,i} (min)	Inertia kgm ²	Mass kg	Torque T ₂ Nm n ₂ 100 Rpm	Part Number Case Hardened 805M20#	Backlash (mm) j _{t,e} (max) j _{t,i} (min)	Inertia kgm ²	Mass kg	Torque T ₂ Nm n ₂ 100 Rpm
PSG5.0-18	0.173 - 0.067	2.71 x 10 ⁻³	2.541	160	PSG5.0-18H	0.173 - 0.067	2.71 x 10 ⁻³	2.541	586
PSG5.0-20	0.173 - 0.067	4.13 x 10 ⁻³	3.199	224	PSG5.0-20H	0.173 - 0.067	4.13 x 10 ⁻³	3.199	823
PSG5.0-22	0.173 - 0.067	5.91 x 10 ⁻³	3.839	247	PSG5.0-22H	0.173 - 0.067	5.91 x 10 ⁻³	3.839	905
PSG5.0-24	0.173 - 0.067	8.38 x 10 ⁻³	4.568	269	PSG5.0-24H	0.173 - 0.067	8.38 x 10 ⁻³	4.568	988
PSG5.0-25	0.175 - 0.065	9.86 x 10 ⁻³	4.915	281	PSG5.0-25H	0.175 - 0.065	9.86 x 10 ⁻³	4.915	1,029
PSG5.0-30	0.227 - 0.097	2.06 x 10 ⁻²	7.316	436	PSG5.0-30H	0.227 - 0.097	2.06 x 10 ⁻²	7.316	1,598
PSG5.0-32	0.227 - 0.097	2.68 x 10 ⁻²	8.363	465	PSG5.0-32H	0.227 - 0.097	2.68 x 10 ⁻²	8.363	1,704
PSG5.0-35	0.227 - 0.097	3.85 x 10 ⁻²	9.990	508	PSG5.0-35H	0.227 - 0.097	3.85 x 10 ⁻²	9.990	1,864
PSG5.0-36	0.227 - 0.097	4.32 x 10 ⁻²	10.618	523	PSG5.0-36H	0.227 - 0.097	4.32 x 10 ⁻²	10.618	1,917
PSG5.0-38	0.229 - 0.095	5.37 x 10 ⁻²	11.817	552	PSG5.0-38H	0.229 - 0.095	5.37 x 10 ⁻²	11.817	2,024
PSG5.0-40	0.229 - 0.095	6.62 x 10 ⁻²	13.142	742	PSG5.0-40H	0.229 - 0.095	6.62 x 10 ⁻²	13.142	2,449
PSG5.0-42	0.229 - 0.095	8.07 x 10 ⁻²	14.602	780	PSG5.0-42H	0.229 - 0.095	8.07 x 10 ⁻²	14.602	2,571
PSG5.0-45	0.229 - 0.095	1.07 x 10 ⁻¹	16.730	835	PSG5.0-45H	0.229 - 0.095	1.07 x 10 ⁻¹	16.730	2,755
PSG5.0-46	0.229 - 0.095	1.17 x 10 ⁻¹	17.471	854	PSG5.0-46H	0.229 - 0.095	1.17 x 10 ⁻¹	17.471	2,816
PSG5.0-48	0.229 - 0.095	1.39 x 10 ⁻¹	18.745	891	PSG5.0-48H	0.229 - 0.095	1.39 x 10 ⁻¹	18.745	2,939
PSG5.0-50	0.229 - 0.095	1.64 x 10 ⁻¹	20.501	1,100	PSG5.0-50H	0.229 - 0.095	1.64 x 10 ⁻¹	20.501	3,322
PSG5.0-52	0.231 - 0.093	1.91 x 10 ⁻¹	21.744	1,144	PSG5.0-52H	0.231 - 0.093	1.91 x 10 ⁻¹	21.744	3,454
PSG5.0-55	0.231 - 0.093	2.40 x 10 ⁻¹	24.295	1,210	PSG5.0-55H	0.231 - 0.093	2.40 x 10 ⁻¹	24.295	3,654
PSG5.0-56	0.231 - 0.093	2.59 x 10 ⁻¹	25.293	1,232	PSG5.0-56H	0.231 - 0.093	2.59 x 10 ⁻¹	25.293	3,720
PSG5.0-58	0.289 - 0.131	2.99 x 10 ⁻¹	27.227	1,277	PSG5.0-58H	0.289 - 0.131	2.99 x 10 ⁻¹	27.227	3,853
PSG5.0-60	0.289 - 0.131	3.43 x 10 ⁻¹	29.353	1,571	PSG5.0-60H	0.289 - 0.131	3.43 x 10 ⁻¹	29.353	4,150
PSG5.0-62	0.289 - 0.131	3.91 x 10 ⁻¹	30.923	1,624	PSG5.0-62H	0.289 - 0.131	3.91 x 10 ⁻¹	30.923	4,289
PSG5.0-65	0.291 - 0.129	4.74 x 10 ⁻¹	34.361	1,702	PSG5.0-65H	0.291 - 0.129	4.74 x 10 ⁻¹	34.361	4,496
PSG5.0-66	0.291 - 0.129	5.04 x 10 ⁻¹	35.202	1,729	PSG5.0-66H	0.291 - 0.129	5.04 x 10 ⁻¹	35.202	4,565
PSG5.0-68	0.291 - 0.129	5.69 x 10 ⁻¹	37.624	1,781	PSG5.0-68H	0.291 - 0.129	5.69 x 10 ⁻¹	37.624	4,704
PSG5.0-70	0.291 - 0.129	6.40 x 10 ⁻¹	39.758	1,833	PSG5.0-70H	0.291 - 0.129	6.40 x 10 ⁻¹	39.758	4,842
PSG5.0-72	0.291 - 0.129	7.18 x 10 ⁻¹	42.328	1,886	PSG5.0-72H	0.291 - 0.129	7.18 x 10 ⁻¹	42.328	4,980
PSG5.0-75	0.291 - 0.129	8.46 x 10 ⁻¹	45.544	1,964	PSG5.0-75H	0.291 - 0.129	8.46 x 10 ⁻¹	45.544	5,188
PSG5.0-76	0.291 - 0.129	8.93 x 10 ⁻¹	46.912	1,990	PSG5.0-76H	0.291 - 0.129	8.93 x 10 ⁻¹	46.912	5,257
PSG5.0-78	0.291 - 0.129	9.93 x 10 ⁻¹	49.703	2,043	PSG5.0-78H	0.291 - 0.129	9.93 x 10 ⁻¹	49.703	5,395
PSG5.0-80	0.291 - 0.129	1.10	51.718	2,682	PSG5.0-80H	0.291 - 0.129	1.10	51.718	5,802
PSG5.0-82	0.291 - 0.129	1.22	54.657	2,749	PSG5.0-82H	0.291 - 0.129	1.22	54.657	5,947
PSG5.0-85	0.291 - 0.129	1.41	59.205	2,850	PSG5.0-85H	0.291 - 0.129	1.41	59.205	6,165
PSG5.0-88	0.291 - 0.129	1.62	62.994	2,950	PSG5.0-88H	0.291 - 0.129	1.62	62.994	6,382

PSG
PSG-H
6.0m_n

PRECISION GEARS

6.0 Module Steel Spur Gear α 20° PA

Quality Grade 7e25 DIN 3961/3967 (AGMA Q10)



DIN 3967 Tooth Thickness tol.

Part Number		No. of Teeth <i>z</i>	Ref. Dia. <i>d</i>	Tip Dia. <i>d_a</i>	Bore H7 <i>d_i</i>	Max. Bore H7 <i>d_i</i>	Hub Dia. <i>BD</i>
Standard 817M40T	Case Hardened 805M20						
PSG6.0-18	PSG6.0-18H	18	108	120	24	46	73
PSG6.0-20	PSG6.0-20H	20	120	132	28	50	85
PSG6.0-22	PSG6.0-22H	22	132	144	30	55	100
PSG6.0-24	PSG6.0-24H	24	144	156	36	60	110
PSG6.0-25	PSG6.0-25H	25	150	162	36	65	116
PSG6.0-30	PSG6.0-30H	30	180	192	48	80	148
PSG6.0-32	PSG6.0-32H	32	192	204	50	85	156
PSG6.0-35	PSG6.0-35H	35	210	222	55	90	175
PSG6.0-36	PSG6.0-36H	36	216	228	55	100	180
PSG6.0-38	PSG6.0-38H	38	228	240	55	110	196
PSG6.0-40	PSG6.0-40H	40	240	252	60	110	205
PSG6.0-42	PSG6.0-42H	42	252	264	60	120	212
PSG6.0-45	PSG6.0-45H	45	270	282	72	135	236
PSG6.0-46	PSG6.0-46H	46	276	288	78	140	244
PSG6.0-48	PSG6.0-48H	48	288	300	80	150	260
PSG6.0-50	PSG6.0-50H	50	300	312	80	150	260
PSG6.0-52	PSG6.0-52H	52	312	324	90	160	276
PSG6.0-55	PSG6.0-55H	55	330	342	90	170	292
PSG6.0-56	PSG6.0-56H	56	336	348	90	170	300
PSG6.0-58	PSG6.0-58H	58	348	360	90	175	316
PSG6.0-60	PSG6.0-60H	60	360	372	100	200	324
PSG6.0-62	PSG6.0-62H	62	372	384	100	210	340
PSG6.0-65	PSG6.0-65H	65	390	402	110	240	356
PSG6.0-66	PSG6.0-66H	66	396	408	110	240	360
PSG6.0-68	PSG6.0-68H	68	408	420	120	240	372
PSG6.0-70	PSG6.0-70H	70	420	432	120	250	385
PSG6.0-72	PSG6.0-72H	72	432	444	120	250	396

PSG
PSG-H
6.0m_n

PRECISION GEARS

6.0 Module Steel Spur Gear α 20° PA

Quality Grade 7e25 DIN 3961/3967 (AGMA Q10)

Standard Part **PSG** **6.0** **40**

Modified Part **PSG** **6.0** **40** **H** **80** **K**

PSG - Precision Spur Gear
Quality Grade 7e DIN 3961/3967
Other Quality Grades available.
See Technical

m_n Module - Cut with DIN 867 1.25/0.20/1.0
Ref. Tooth Profile Topping WD = 2.25 x m_n

Number of Teeth **z**

Standard Material = 817M40T
H = 805M20 # Case Hardened

K- Keyway supplied to
DIN 6885 - Js9 tolerance.
See Technical

To specify different bore enter size required
Example: 80 = 80mm H7 etc
See Technical

Quality Grades and Tolerances stated prior to heat treatment processes.
ηz Meshing Efficiency approx. 98%

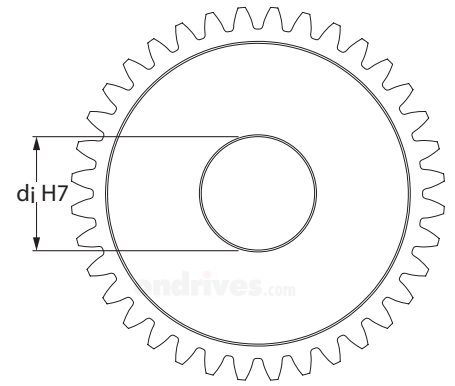
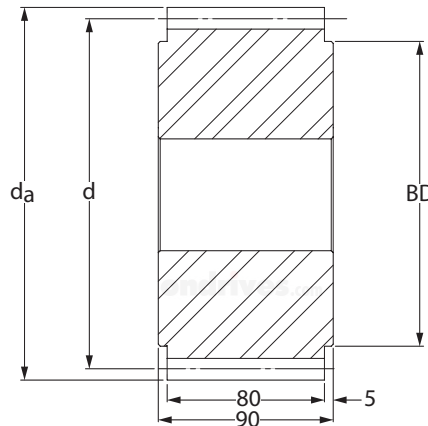
Part Number Standard 817M40T	Backlash (mm) j _{t,e} (max) j _{t,i} (min)	Inertia kgm ²	Mass kg	Torque T ₂ Nm n ₂ 100 Rpm	Part Number Case Hardened 805M20#	Backlash (mm) j _{t,e} (max) j _{t,i} (min)	Inertia kgm ²	Mass kg	Torque T ₂ Nm n ₂ 100 Rpm
PSG6.0-18	0.173 - 0.067	6.72 x 10 ⁻³	4.343	266	PSG6.0-18H	0.173 - 0.067	6.72 x 10 ⁻³	4.343	976
PSG6.0-20	0.173 - 0.067	1.02 x 10 ⁻²	5.369	374	PSG6.0-20H	0.173 - 0.067	1.02 x 10 ⁻²	5.369	1,371
PSG6.0-22	0.227 - 0.097	1.50 x 10 ⁻²	6.595	411	PSG6.0-22H	0.227 - 0.097	1.50 x 10 ⁻²	6.595	1,509
PSG6.0-24	0.227 - 0.097	2.11 x 10 ⁻²	7.766	449	PSG6.0-24H	0.227 - 0.097	2.11 x 10 ⁻²	7.766	1,646
PSG6.0-25	0.227 - 0.097	2.49 x 10 ⁻²	8.495	468	PSG6.0-25H	0.227 - 0.097	2.49 x 10 ⁻²	8.495	1,714
PSG6.0-30	0.227 - 0.097	5.20 x 10 ⁻²	12.210	726	PSG6.0-30H	0.227 - 0.097	5.20 x 10 ⁻²	12.210	2,662
PSG6.0-32	0.229 - 0.095	6.70 x 10 ⁻²	13.913	774	PSG6.0-32H	0.229 - 0.095	6.70 x 10 ⁻²	13.913	2,840
PSG6.0-35	0.229 - 0.095	9.63 x 10 ⁻²	16.731	847	PSG6.0-35H	0.229 - 0.095	9.63 x 10 ⁻²	16.731	3,106
PSG6.0-36	0.229 - 0.095	1.08 x 10 ⁻¹	17.780	871	PSG6.0-36H	0.229 - 0.095	1.08 x 10 ⁻¹	17.780	3,195
PSG6.0-38	0.229 - 0.095	1.35 x 10 ⁻¹	20.108	920	PSG6.0-38H	0.229 - 0.095	1.35 x 10 ⁻¹	20.108	3,372
PSG6.0-40	0.229 - 0.095	1.65 x 10 ⁻¹	22.147	1,237	PSG6.0-40H	0.229 - 0.095	1.65 x 10 ⁻¹	22.147	4,231
PSG6.0-42	0.231 - 0.093	2.00 x 10 ⁻¹	24.497	1,299	PSG6.0-42H	0.231 - 0.093	2.00 x 10 ⁻¹	24.497	4,443
PSG6.0-45	0.231 - 0.093	2.66 x 10 ⁻¹	27.933	1,392	PSG6.0-45H	0.231 - 0.093	2.66 x 10 ⁻¹	27.933	4,760
PSG6.0-46	0.231 - 0.093	2.92 x 10 ⁻¹	28.986	1,423	PSG6.0-46H	0.231 - 0.093	2.92 x 10 ⁻¹	28.986	4,866
PSG6.0-48	0.289 - 0.131	3.49 x 10 ⁻¹	31.837	1,484	PSG6.0-48H	0.289 - 0.131	3.49 x 10 ⁻¹	31.837	5,078
PSG6.0-50	0.289 - 0.131	4.05 x 10 ⁻¹	34.434	1,833	PSG6.0-50H	0.289 - 0.131	4.05 x 10 ⁻¹	34.434	5,740
PSG6.0-52	0.289 - 0.131	4.76 x 10 ⁻¹	36.933	1,907	PSG6.0-52H	0.289 - 0.131	4.76 x 10 ⁻¹	36.933	5,969
PSG6.0-55	0.291 - 0.129	5.96 x 10 ⁻¹	41.748	2,017	PSG6.0-55H	0.291 - 0.129	5.96 x 10 ⁻¹	41.748	6,314
PSG6.0-56	0.291 - 0.129	6.43 x 10 ⁻¹	43.511	2,053	PSG6.0-56H	0.291 - 0.129	6.43 x 10 ⁻¹	43.511	6,428
PSG6.0-58	0.291 - 0.129	7.46 x 10 ⁻¹	47.142	2,127	PSG6.0-58H	0.291 - 0.129	7.46 x 10 ⁻¹	47.142	6,658
PSG6.0-60	0.291 - 0.129	8.50 x 10 ⁻¹	49.767	2,618	PSG6.0-60H	0.291 - 0.129	8.50 x 10 ⁻¹	49.767	7,171
PSG6.0-62	0.291 - 0.129	9.76 x 10 ⁻¹	53.658	2,705	PSG6.0-62H	0.291 - 0.129	9.76 x 10 ⁻¹	53.658	7,411
PSG6.0-65	0.291 - 0.129	1.18	58.492	2,836	PSG6.0-65H	0.291 - 0.129	1.18	58.492	7,769
PSG6.0-66	0.291 - 0.129	1.25	60.407	2,880	PSG6.0-66H	0.291 - 0.129	1.25	60.407	7,889
PSG6.0-68	0.293 - 0.127	1.41	63.511	2,967	PSG6.0-68H	0.293 - 0.127	1.41	63.511	8,128
PSG6.0-70	0.293 - 0.127	1.59	67.780	3,055	PSG6.0-70H	0.293 - 0.127	1.59	67.780	8,367
PSG6.0-72	0.293 - 0.127	1.78	72.079	3,142	PSG6.0-72H	0.293 - 0.127	1.78	72.079	8,606

PSG
PSG-H
8.0m_n

PRECISION GEARS

8.0 Module Steel Spur Gear α 20° PA

Quality Grade 7e25 DIN 3961/3967 (AGMA Q10)



DIN 3967 Tooth Thickness tol.

Part Number		No. of Teeth <i>z</i>	Ref. Dia. <i>d</i>	Tip Dia. <i>d_a</i>	Bore H7 <i>d_i</i>	Max. Bore H7 <i>d_i</i>	Hub Dia. <i>BD</i>
Standard 817M40T	Case Hardened 805M20						
PSG8.0-18	PSG8.0-18H	18	144	160	36	55	100
PSG8.0-20	PSG8.0-20H	20	160	176	40	65	116
PSG8.0-22	PSG8.0-22H	22	176	192	42	72	132
PSG8.0-24	PSG8.0-24H	24	192	208	48	80	148
PSG8.0-25	PSG8.0-25H	25	200	216	50	85	156
PSG8.0-30	PSG8.0-30H	30	240	256	55	110	196
PSG8.0-32	PSG8.0-32H	32	256	272	60	120	212
PSG8.0-35	PSG8.0-35H	35	280	296	72	135	236
PSG8.0-36	PSG8.0-36H	36	288	304	78	140	244
PSG8.0-38	PSG8.0-38H	38	304	320	80	150	260
PSG8.0-40	PSG8.0-40H	40	320	336	90	160	276
PSG8.0-42	PSG8.0-42H	42	336	352	90	170	292
PSG8.0-45	PSG8.0-45H	45	360	376	90	175	316
PSG8.0-46	PSG8.0-46H	46	368	384	100	200	324
PSG8.0-48	PSG8.0-48H	48	384	400	100	210	340
PSG8.0-50	PSG8.0-50H	50	400	416	110	240	356
PSG8.0-52	PSG8.0-52H	52	416	432	120	240	372
PSG8.0-55	PSG8.0-55H	55	440	456	120	250	396

PSG
PSG-H
8.0m_n

PRECISION GEARS

8.0 Module Steel Spur Gear α 20° PA

Quality Grade 7e25 DIN 3961/3967 (AGMA Q10)

Standard Part **PSG** **8.0** **40**

Modified Part **PSG** **8.0** **40** **H** **100** **K**

PSG - Precision Spur Gear
Quality Grade 7e DIN 3961/3967
Other Quality Grades available.
See Technical

m_n Module - Cut with DIN 867 1.25/0.20/1.0
Ref. Tooth Profile Topping WD = 2.25 x m_n

Number of Teeth **z**

Standard Material = 817M40T
H = 805M20 # Case Hardened

K- Keyway supplied to
DIN 6885 - Js9 tolerance.
See Technical

To specify different bore enter size required
Example: 100 = 100mm H7 etc
See Technical

Quality Grades and Tolerances stated prior to heat treatment processes.
η_z Meshing Efficiency approx. 98%

Part Number Standard 817M40T	Backlash (mm) j _{t,e} (max) j _{t,i} (min)	Inertia kgm ²	Mass kg	Torque T ₂ Nm n ₂ 100 Rpm	Part Number Case Hardened 805M20#	Backlash (mm) j _{t,e} (max) j _{t,i} (min)	Inertia kgm ²	Mass kg	Torque T ₂ Nm n ₂ 100 Rpm
PSG8.0-18	0.227 - 0.097	2.81 x 10 ⁻²	10.003	596	PSG8.0-18H	0.227 - 0.097	2.81 x 10 ⁻²	10.003	2,184
PSG8.0-20	0.227 - 0.097	4.26 x 10 ⁻²	12.415	837	PSG8.0-20H	0.227 - 0.097	4.26 x 10 ⁻²	12.415	3,069
PSG8.0-22	0.227 - 0.097	6.23 x 10 ⁻²	15.188	921	PSG8.0-22H	0.227 - 0.097	6.23 x 10 ⁻²	15.188	3,376
PSG8.0-24	0.229 - 0.095	8.80 x 10 ⁻²	18.037	1,004	PSG8.0-24H	0.229 - 0.095	8.80 x 10 ⁻²	18.037	3,683
PSG8.0-25	0.229 - 0.095	1.04 x 10 ⁻¹	19.610	1,046	PSG8.0-25H	0.229 - 0.095	1.04 x 10 ⁻¹	19.610	3,836
PSG8.0-30	0.229 - 0.095	2.15 x 10 ⁻¹	28.788	1,625	PSG8.0-30H	0.229 - 0.095	2.15 x 10 ⁻¹	28.788	5,958
PSG8.0-32	0.231 - 0.093	2.79 x 10 ⁻¹	32.754	1,733	PSG8.0-32H	0.231 - 0.093	2.79 x 10 ⁻¹	32.754	6,355
PSG8.0-35	0.231 - 0.093	4.00 x 10 ⁻¹	38.836	1,896	PSG8.0-35H	0.231 - 0.093	4.00 x 10 ⁻¹	38.836	6,951
PSG8.0-36	0.289 - 0.131	4.47 x 10 ⁻¹	40.799	1,950	PSG8.0-36H	0.289 - 0.131	4.47 x 10 ⁻¹	40.799	7,149
PSG8.0-38	0.289 - 0.131	5.56 x 10 ⁻¹	45.761	2,058	PSG8.0-38H	0.289 - 0.131	5.56 x 10 ⁻¹	45.761	7,546
PSG8.0-40	0.291 - 0.129	6.83 x 10 ⁻¹	50.239	2,768	PSG8.0-40H	0.291 - 0.129	6.83 x 10 ⁻¹	50.239	10,030
PSG8.0-42	0.291 - 0.129	8.32 x 10 ⁻¹	55.945	2,907	PSG8.0-42H	0.291 - 0.129	8.32 x 10 ⁻¹	55.945	10,532
PSG8.0-45	0.291 - 0.129	1.10	65.036	3,114	PSG8.0-45H	0.291 - 0.129	1.10	65.036	11,284
PSG8.0-46	0.291 - 0.129	1.20	67.154	3,183	PSG8.0-46H	0.291 - 0.129	1.20	67.154	11,535
PSG8.0-48	0.291 - 0.129	1.43	73.712	3,322	PSG8.0-48H	0.291 - 0.129	1.43	73.712	12,036
PSG8.0-50	0.291 - 0.129	1.68	79.389	4,103	PSG8.0-50H	0.291 - 0.129	1.68	79.389	13,605
PSG8.0-52	0.293 - 0.127	1.96	85.239	4,267	PSG8.0-52H	0.293 - 0.127	1.96	85.239	14,149
PSG8.0-55	0.293 - 0.127	2.47	96.461	4,513	PSG8.0-55H	0.293 - 0.127	2.47	96.461	14,966