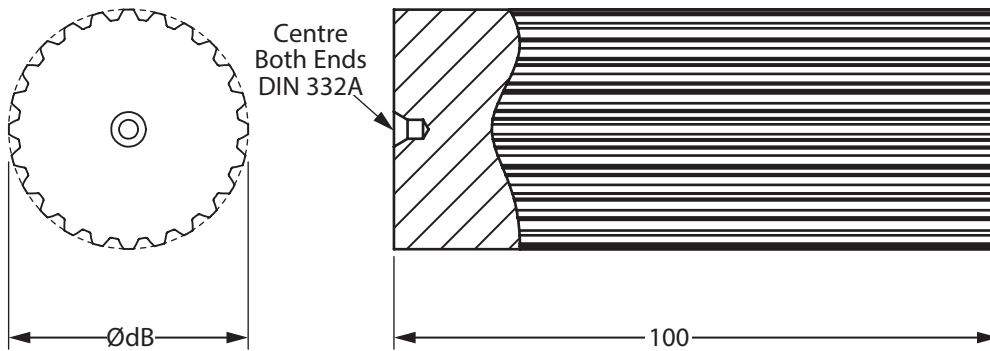
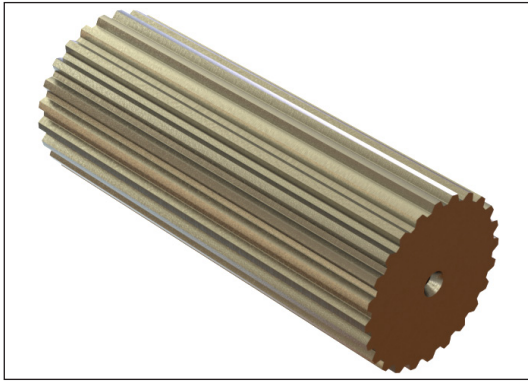


PSS

LINEAR MOTION

Precision Involute Spline Shaft

Steel : DIN 5480 W 8f Slide Fit : $h_{Fp} = 0.60.m$, 30° PA



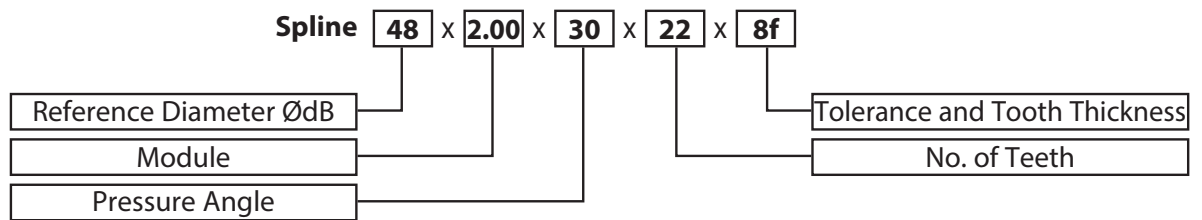
Part Number	Spline DIN 5480 W	Module	Number of Spline Teeth	Reference Dia. ØdB	Mass kg	Moment of Inertia kg·m ²	Torque T ₂ Nm n ₂ 100 Rpm
PSS1.25-12-17-100	17x1.25x30x12x8f	1.25	12	17	0.15	4.52 x 10 ⁻⁶	66.83
PSS1.25-14-20-100	20x1.25x30x14x8f	1.25	14	20	0.22	9.07 x 10 ⁻⁶	90.96
PSS1.25-18-25-100	25x1.25x30x18x8f	1.25	18	25	0.33	2.35 x 10 ⁻⁵	150.36
PSS1.25-22-30-100	30x1.25x30x22x8f	1.25	22	30	0.50	5.08 x 10 ⁻⁵	224.61
PSS1.25-24-32-100	32x1.25x30x24x8f	1.25	24	32	0.58	6.67 x 10 ⁻⁵	267.30
PSS1.25-26-35-100	35x1.25x30x26x8f	1.25	26	35	0.60	8.48 x 10 ⁻⁵	313.71
PSS2.00-14-32-100	32x2.00x30x14x8f	2.00	14	32	0.54	5.96 x 10 ⁻⁵	145.53
PSS2.00-16-35-100	35x2.00x30x16x8f	2.00	16	35	0.65	8.79 x 10 ⁻⁵	190.08
PSS2.00-18-38-100	38x2.00x30x18x8f	2.00	18	38	0.78	1.25 x 10 ⁻⁴	240.57
PSS2.00-18-40-100	40x2.00x30x18x8f	2.00	18	40	0.87	1.55 x 10 ⁻⁴	280.57
PSS2.00-21-45-100	45x2.00x30x21x8f	2.00	21	45	1.12	2.55 x 10 ⁻⁴	327.44
PSS2.00-22-48-100	48x2.00x30x22x8f	2.00	22	48	1.28	3.34 x 10 ⁻⁴	359.37

Material

817M40T (1.6565) Steel.

Options

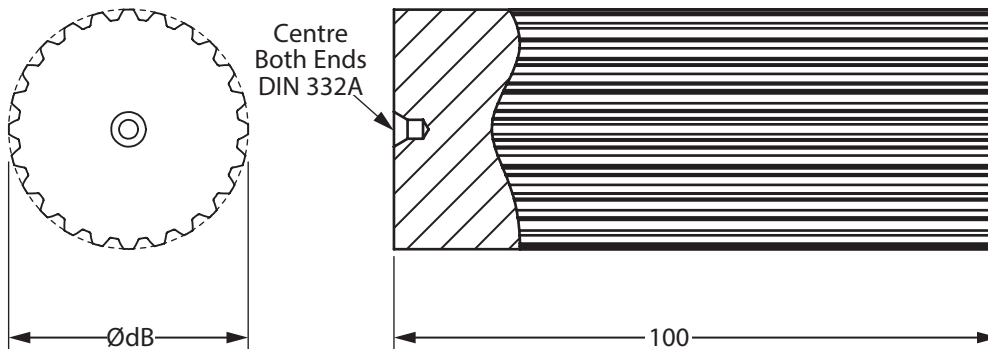
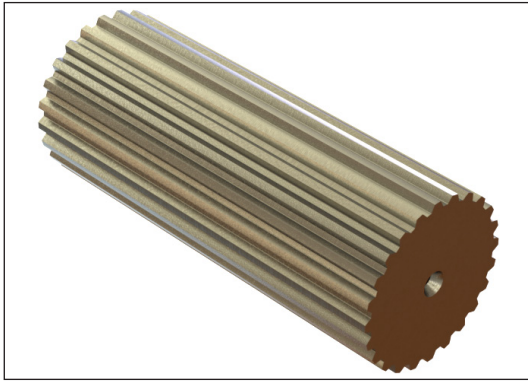
- Different modules
- Different numbers of teeth
- 7h, 7g & 7m tolerances
- Different materials



PSS-S

LINEAR MOTION

Precision Involute Spline Shaft

Stainless Steel : DIN 5480 W 8f Slide Fit : $h_{FP} = 0.60.m$, 30° PA

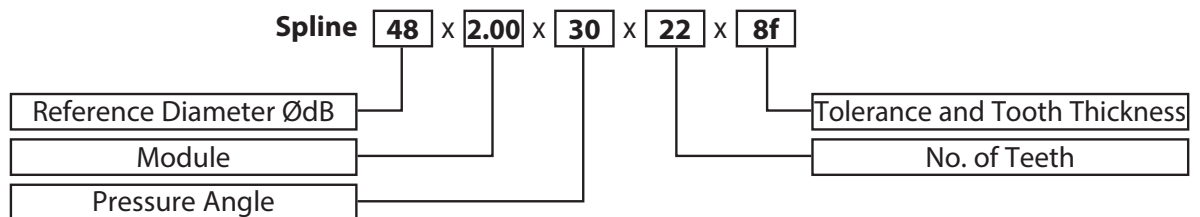
Part Number	Spline DIN 5480 W	Module	Number of Spline Teeth	Reference Dia. ØdB	Mass kg	Moment of Inertia kg·m ²	Torque T ₂ Nm n ₂ 100 Rpm
PSS1.25-12S-17-100	17x1.25x30x12x8f	1.25	12	17	0.15	4.60×10^{-6}	41.77
PSS1.25-14S-20-100	20x1.25x30x14x8f	1.25	14	20	0.22	9.23×10^{-6}	56.85
PSS1.25-18S-25-100	25x1.25x30x18x8f	1.25	18	25	0.35	2.40×10^{-5}	93.97
PSS1.25-22S-30-100	30x1.25x30x22x8f	1.25	22	30	0.51	5.18×10^{-5}	140.38
PSS1.25-24S-32-100	32x1.25x30x24x8f	1.25	24	32	0.59	6.80×10^{-5}	167.06
PSS1.25-26S-35-100	35x1.25x30x26x8f	1.25	26	35	0.61	8.64×10^{-5}	196.07
PSS2.00-14S-32-100	32x2.00x30x14x8f	2.00	14	32	0.55	6.07×10^{-5}	90.96
PSS2.00-16S-35-100	35x2.00x30x16x8f	2.00	16	35	0.66	8.95×10^{-5}	118.80
PSS2.00-18S-38-100	38x2.00x30x18x8f	2.00	18	38	0.80	1.27×10^{-4}	150.36
PSS2.00-18S-40-100	40x2.00x30x18x8f	2.00	18	40	0.89	1.58×10^{-4}	175.30
PSS2.00-21S-45-100	45x2.00x30x21x8f	2.00	21	45	1.14	2.60×10^{-4}	204.65
PSS2.00-22S-48-100	48x2.00x30x22x8f	2.00	22	48	1.30	3.40×10^{-4}	224.61

Material

303 Stainless Steel (1.4305).

Options

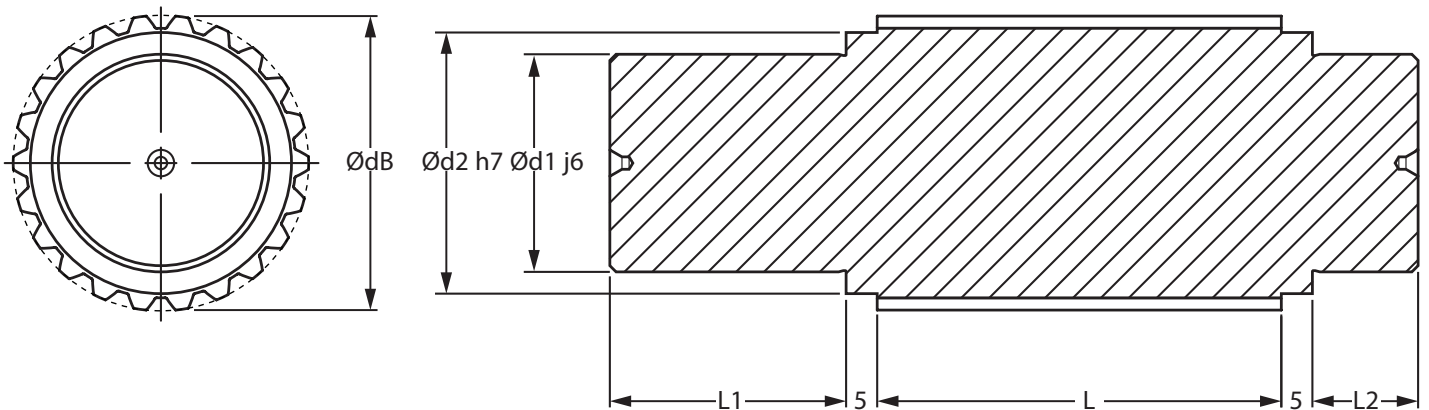
- Different modules
- Different numbers of teeth
- 7h, 7g & 7m tolerances
- Different materials



PSBS

LINEAR MOTION

Precision Involute Spline Bearing Shaft

Steel : DIN 5480 W 8f Slide Fit : $h_{Fp} = 0.60.m$, 30° PA

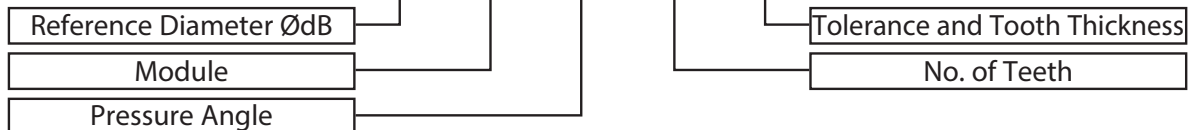
Part Number	Spline DIN 5480 W	Module	No. of Spline Teeth	Ref. Dia. ØdB	L	Ød1 j6	Ød2 h7	L1	L2	Torque T ₂ Nm n ₂ 100 Rpm
PSBS1.25-12-17-60	17x1.25x30x12x8f	1.25	12	17	60	10	13	17	8	66.83
PSBS1.25-14-20-60	20x1.25x30x14x8f	1.25	14	20	60	12	16	20	10	90.96
PSBS1.25-18-25-60	25x1.25x30x18x8f	1.25	18	25	60	15	20	27	13	150.36
PSBS1.25-22-30-60	30x1.25x30x22x8f	1.25	22	30	60	17	22	34	14	224.61
PSBS1.25-24-32-60	32x1.25x30x24x8f	1.25	24	32	60	20	24	36	12	267.30
PSBS1.25-26-35-60	35x1.25x30x26x8f	1.25	26	35	60	25	30	37	15	313.71
PSBS2.00-14-32-65	32x2.00x30x14x8f	2.00	14	32	65	20	24	38	12	145.53
PSBS2.00-16-35-65	35x2.00x30x16x8f	2.00	16	35	65	25	30	38	15	190.08
PSBS2.00-18-38-65	38x2.00x30x18x8f	2.00	18	38	65	25	30	38	15	240.57
PSBS2.00-18-40-65	40x2.00x30x18x8f	2.00	18	40	65	25	30	38	15	280.57
PSBS2.00-21-45-65	45x2.00x30x21x8f	2.00	21	45	65	30	35	41	16	327.44
PSBS2.00-22-48-65	48x2.00x30x22x8f	2.00	22	48	65	35	42	48	17	359.37

Material

817M40T (1.6565) Steel.

Options

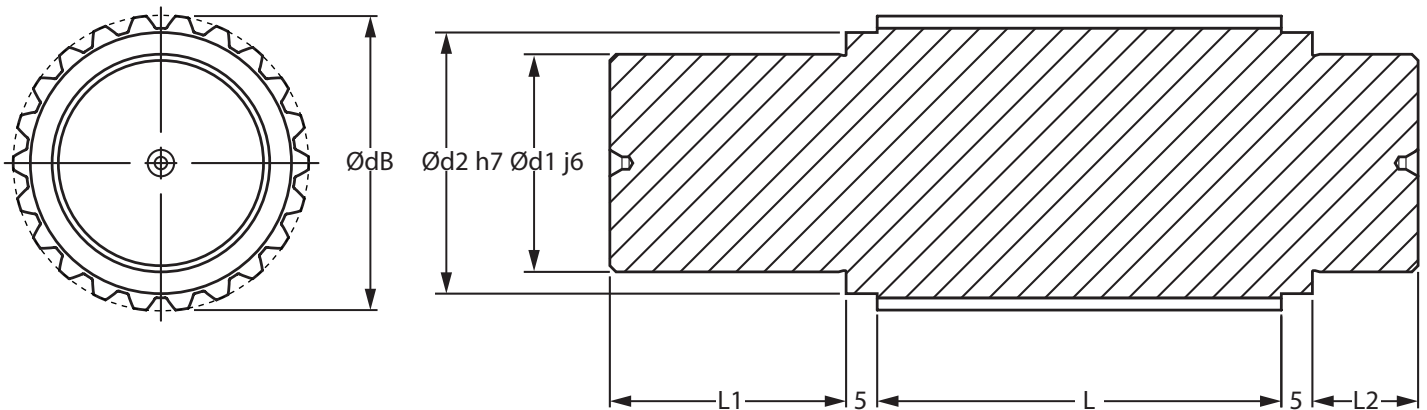
- Different modules
- Different numbers of teeth
- 7h, 7g & 7m tolerances
- Different materials

Spline **48** x **2.00** x **30** x **22** x **8f**

PSBS-S

LINEAR MOTION

Precision Involute Spline Bearing Shaft

Stainless Steel : DIN 5480 W 8f Slide Fit : $h_{FP} = 0.60.m$, 30° PA

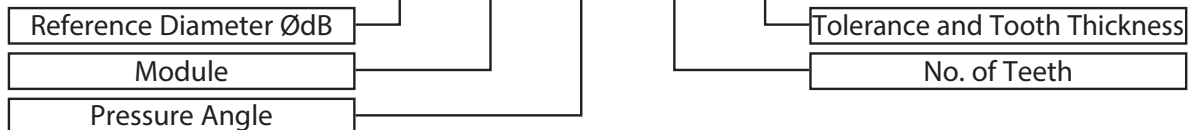
Part Number	Spline DIN 5480 W	Module	No. of Spline Teeth	Ref. Dia. ØdB	L	Ød1 j6	Ød2 h7	L1	L2	Torque T ₂ Nm n ₂ 100 Rpm
PSBS1.25-125-17-60	17x1.25x30x12x8f	1.25	12	17	60	10	13	17	8	41.77
PSBS1.25-145-20-60	20x1.25x30x14x8f	1.25	14	20	60	12	16	20	10	56.85
PSBS1.25-185-25-60	25x1.25x30x18x8f	1.25	18	25	60	15	20	27	13	93.97
PSBS1.25-225-30-60	30x1.25x30x22x8f	1.25	22	30	60	17	22	34	14	140.38
PSBS1.25-245-32-60	32x1.25x30x24x8f	1.25	24	32	60	20	24	36	12	167.06
PSBS1.25-265-35-60	35x1.25x30x26x8f	1.25	26	35	60	25	30	37	15	196.07
PSBS2.00-145-32-65	32x2.00x30x14x8f	2.00	14	32	65	20	24	38	12	90.96
PSBS2.00-165-35-65	35x2.00x30x16x8f	2.00	16	35	65	25	30	38	15	118.80
PSBS2.00-185-38-65	38x2.00x30x18x8f	2.00	18	38	65	25	30	38	15	150.36
PSBS2.00-185-40-65	40x2.00x30x18x8f	2.00	18	40	65	25	30	38	15	175.30
PSBS2.00-215-45-65	45x2.00x30x21x8f	2.00	21	45	65	30	35	41	16	204.65
PSBS2.00-225-48-65	48x2.00x30x22x8f	2.00	22	48	65	35	42	48	17	224.61

Material

303 Stainless Steel (1.4305).

Options

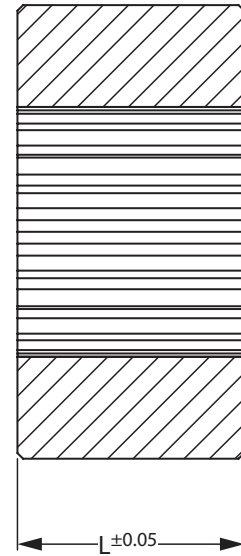
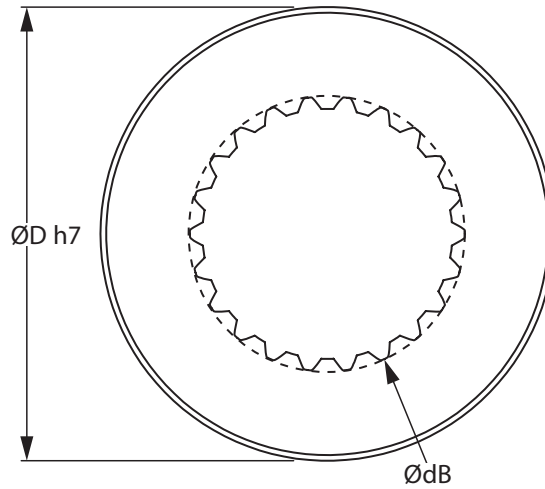
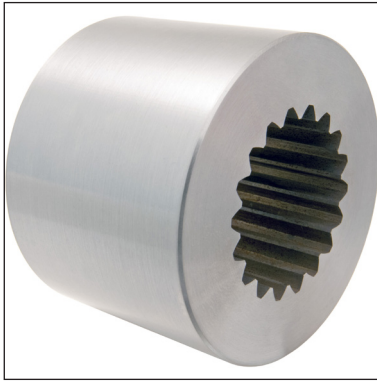
- Different modules
- Different numbers of teeth
- 7h, 7g & 7m tolerances
- Different materials

Spline **48** x **2.00** x **30** x **22** x **8f**

PSB

LINEAR MOTION

Precision Involute Spline Bush

Steel : DIN 5480 N 9H Slide Fit : $h_{FP} = 0.60.m$, 30° PA

Part Number	Spline DIN 5480 N	Module	No. of Spline Teeth	Ref. Dia. ØdB	ØD h7	$L \pm 0.05$	Mass Kg	Moment of Inertia $kg \cdot m^2$	Torque T_2 Nm n_2 100 Rpm
PSB1.25-12-17	17x1.25x30x12x9H	1.25	12	17	35	40	0.24	4.41×10^{-5}	66.83
PSB1.25-14-20	20x1.25x30x14x9H	1.25	14	20	40	40	0.31	7.47×10^{-5}	90.96
PSB1.25-18-25	25x1.25x30x18x9H	1.25	18	25	48	40	0.43	1.53×10^{-4}	150.36
PSB1.25-22-30	30x1.25x30x22x9H	1.25	22	30	55	40	0.54	2.60×10^{-4}	224.61
PSB1.25-24-32	32x1.25x30x24x9H	1.25	24	32	55	40	0.51	2.53×10^{-4}	267.30
PSB1.25-26-35	35x1.25x30x26x9H	1.25	26	35	60	40	0.61	3.58×10^{-4}	313.71
PSB2.00-14-32	32x2.00x30x14x9H	2.00	14	32	55	40	0.51	2.54×10^{-4}	145.53
PSB2.00-16-35	35x2.00x30x16x9H	2.00	16	35	60	40	0.61	3.60×10^{-4}	190.08
PSB2.00-18-38	38x2.00x30x18x9H	2.00	18	38	62	40	0.63	4.01×10^{-4}	240.57
PSB2.00-18-40	40x2.00x30x18x9H	2.00	18	40	65	40	0.68	4.84×10^{-4}	280.57
PSB2.00-21-45	45x2.00x30x21x9H	2.00	21	45	70	40	0.75	6.31×10^{-4}	327.44
PSB2.00-22-48	48x2.00x30x22x9H	2.00	22	48	80	40	1.05	1.08×10^{-3}	359.37

Material

817M40T (1.6565) Steel.

Options

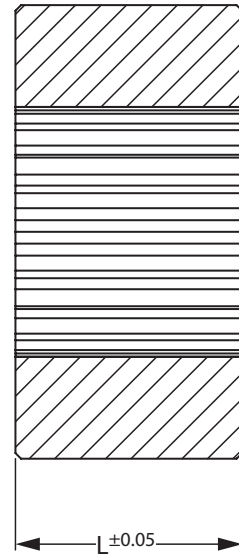
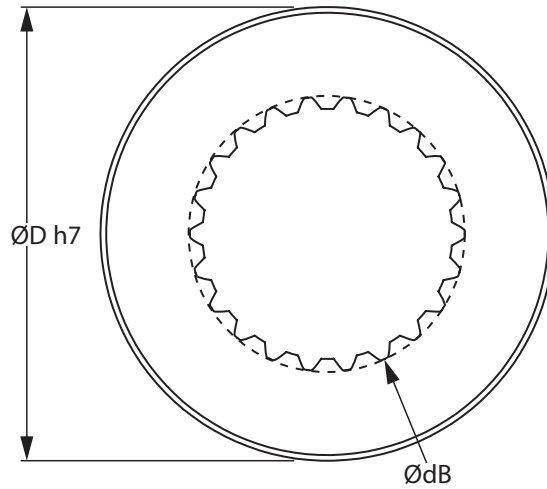
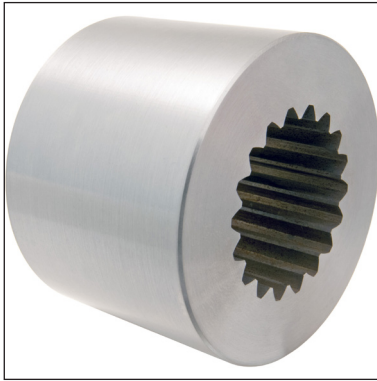
- Different modules
- Different numbers of teeth
- 7H & 8H tolerances
- Different materials

Spline **48** x **2.00** x **30** x **22** x **9H**

PSB-S

LINEAR MOTION

Precision Involute Spline Bush

Stainless Steel : DIN 5480 N 9H Slide Fit : $h_{FP} = 0.60.m, 30^\circ PA$ 

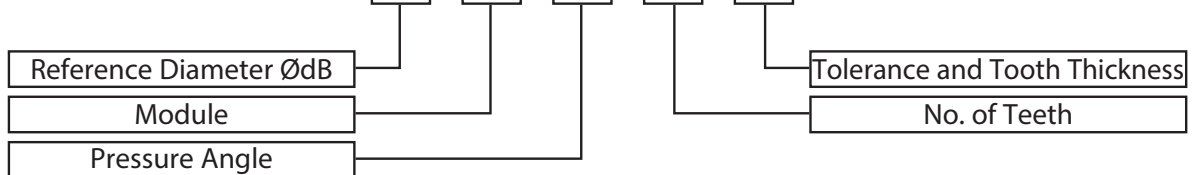
Part Number	Spline DIN 5480 N	Module	No. of Spline Teeth	Ref. Dia. ØdB	ØD h7	$L \pm 0.05$	Mass Kg	Moment of Inertia $kg \cdot m^2$	Torque $T_2 Nm$ $n_2 100 Rpm$
PSB1.25-12S-17	17x1.25x30x12x9H	1.25	12	17	35	40	0.24	4.49×10^{-5}	41.77
PSB1.25-14S-20	20x1.25x30x14x9H	1.25	14	20	40	40	0.31	7.61×10^{-5}	56.85
PSB1.25-18S-25	25x1.25x30x18x9H	1.25	18	25	48	40	0.44	1.56×10^{-4}	93.97
PSB1.25-22S-30	30x1.25x30x22x9H	1.25	22	30	55	40	0.55	2.65×10^{-4}	140.38
PSB1.25-24S-32	32x1.25x30x24x9H	1.25	24	32	55	40	0.52	2.58×10^{-4}	167.06
PSB1.25-26S-35	35x1.25x30x26x9H	1.25	26	35	60	40	0.62	3.65×10^{-4}	196.07
PSB2.00-14S-32	32x2.00x30x14x9H	2.00	14	32	55	40	0.52	2.59×10^{-4}	90.96
PSB2.00-16S-35	35x2.00x30x16x9H	2.00	16	35	60	40	0.62	3.67×10^{-4}	118.80
PSB2.00-18S-38	38x2.00x30x18x9H	2.00	18	38	62	40	0.64	4.09×10^{-4}	150.36
PSB2.00-18S-40	40x2.00x30x18x9H	2.00	18	40	65	40	0.70	4.93×10^{-4}	175.30
PSB2.00-21S-45	45x2.00x30x21x9H	2.00	21	45	70	40	0.76	6.43×10^{-4}	204.65
PSB2.00-22S-48	48x2.00x30x22x9H	2.00	22	48	80	40	1.07	1.14×10^{-3}	224.61

Material

303 Stainless Steel (1.4305).

Options

- Different modules
- Different numbers of teeth
- 7H & 8H tolerances
- Different materials

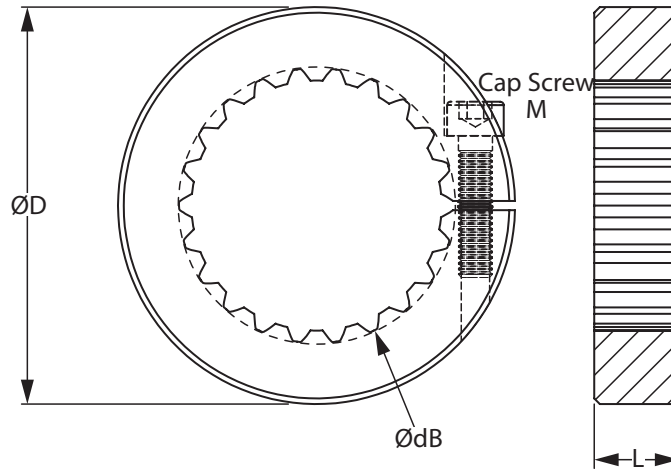
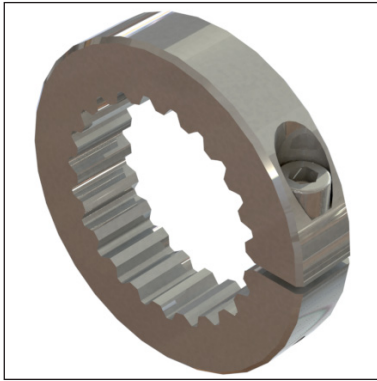
Spline **48** x **2.00** x **30** x **22** x **9H**

PSC

LINEAR MOTION

Precision Involute Spline Shaft Clamp

Steel : DIN 5480 N 9H Slide Fit : $h_{Fp} = 0.60.m, 30^\circ PA$



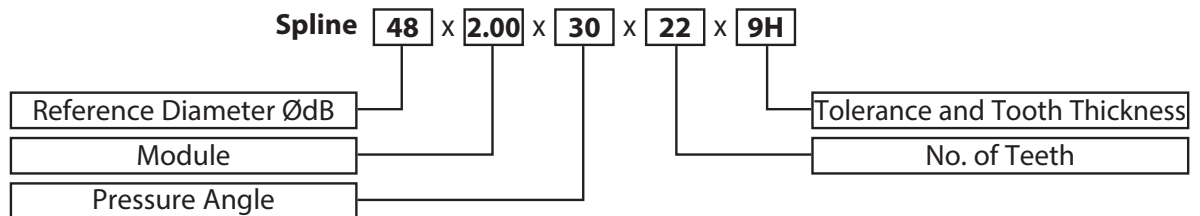
Part Number	Spline DIN 5480 N	Module	No. of Spline Teeth	Ref. Dia. ØdB	ØD	L	Cap Screw M	Mass Kg	Moment of Inertia $kg \cdot m^2$	Torque T_2 Nm $n_2 100$ Rpm
PSC1.25-12-17	17x1.25x30x12x9H	1.25	12	17	35	12	M4	0.07	1.27×10^{-5}	20.05
PSC1.25-14-20	20x1.25x30x14x9H	1.25	14	20	38	12	M4	0.08	1.72×10^{-5}	27.29
PSC1.25-18-25	25x1.25x30x18x9H	1.25	18	25	48	15	M6	0.16	5.55×10^{-5}	56.38
PSC1.25-22-30	30x1.25x30x22x9H	1.25	22	30	55	15	M6	0.20	9.44×10^{-5}	84.23
PSC1.25-24-32	32x1.25x30x24x9H	1.25	24	32	55	15	M6	0.19	9.20×10^{-5}	100.24
PSC1.25-26-35	35x1.25x30x26x9H	1.25	26	35	60	15	M6	0.17	8.80×10^{-5}	117.64
PSC2.00-14-32	32x2.00x30x14x9H	2.00	14	32	55	15	M6	0.19	9.29×10^{-5}	54.57
PSC2.00-16-35	35x2.00x30x16x9H	2.00	16	35	60	15	M6	0.22	1.32×10^{-4}	71.28
PSC2.00-18-38	38x2.00x30x18x9H	2.00	18	38	60	15	M6	0.21	1.27×10^{-4}	90.21
PSC2.00-18-40	40x2.00x30x18x9H	2.00	18	40	65	15	M6	0.25	1.76×10^{-4}	106.50
PSC2.00-21-45	45x2.00x30x21x9H	2.00	21	45	65	15	M6	0.21	1.61×10^{-4}	122.79
PSC2.00-22-48	48x2.00x30x22x9H	2.00	22	48	70	15	M6	0.25	2.17×10^{-4}	134.76

Material

817M40T (1.6565) Steel.

Options

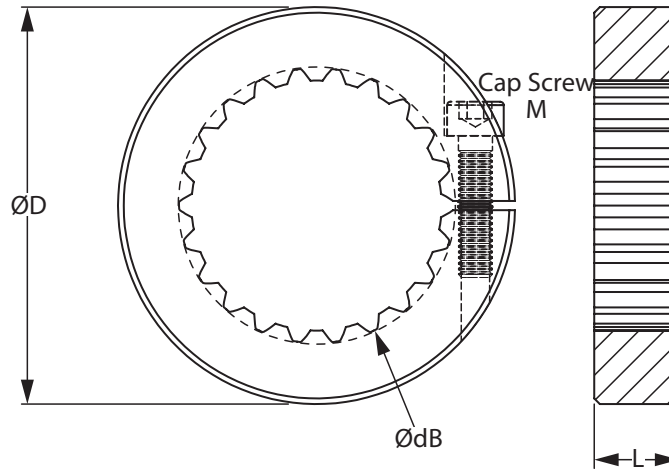
- Different modules
- Different numbers of teeth
- 7H & 8H tolerances
- Different materials



PSC-S

LINEAR MOTION

Precision Involute Spline Shaft Clamp

Stainless Steel : DIN 5480 N 9H Slide Fit : $h_{FP} = 0.60.m, 30^\circ PA$ 

Part Number	Spline DIN 5480 N	Module	No. of Spline Teeth	Ref. Dia. ØdB	ØD	L	Cap Screw M	Mass Kg	Moment of Inertia kg·m ²	Torque T ₂ Nm n ₂ 100 Rpm
PSC1.25-12S-17	17x1.25x30x12x9H	1.25	12	17	35	12	M4	0.07	1.29×10^{-5}	12.53
PSC1.25-14S-20	20x1.25x30x14x9H	1.25	14	20	38	12	M4	0.08	1.75×10^{-5}	17.05
PSC1.25-18S-25	25x1.25x30x18x9H	1.25	18	25	48	15	M6	0.16	5.65×10^{-5}	35.24
PSC1.25-22S-30	30x1.25x30x22x9H	1.25	22	30	55	15	M6	0.20	9.61×10^{-5}	52.64
PSC1.25-24S-32	32x1.25x30x24x9H	1.25	24	32	55	15	M6	0.19	9.37×10^{-5}	62.65
PSC1.25-26S-35	35x1.25x30x26x9H	1.25	26	35	60	15	M6	0.17	8.96×10^{-5}	73.52
PSC2.00-14S-32	32x2.00x30x14x9H	2.00	14	32	55	15	M6	0.19	9.46×10^{-5}	34.11
PSC2.00-16S-35	35x2.00x30x16x9H	2.00	16	35	60	15	M6	0.22	1.34×10^{-4}	44.55
PSC2.00-18S-38	38x2.00x30x18x9H	2.00	18	38	60	15	M6	0.21	1.29×10^{-4}	56.38
PSC2.00-18S-40	40x2.00x30x18x9H	2.00	18	40	65	15	M6	0.25	1.79×10^{-4}	63.62
PSC2.00-21S-45	45x2.00x30x21x9H	2.00	21	45	65	15	M6	0.21	1.64×10^{-4}	76.74
PSC2.00-22S-48	48x2.00x30x22x9H	2.00	22	48	70	15	M6	0.25	2.21×10^{-4}	84.23

Material

303 Stainless Steel (1.4305).

Options

- Different modules
- Different numbers of teeth
- 7H & 8H tolerances
- Different materials

Spline **48** x **2.00** x **30** x **22** x **9H**