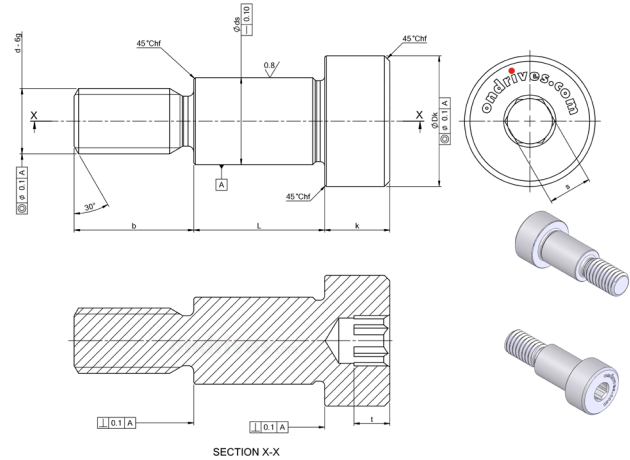
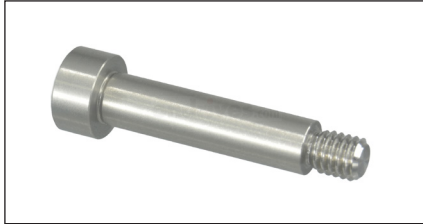
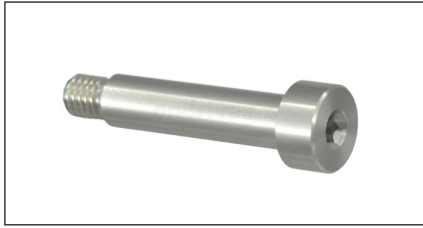


SHST

ondrives

Precision Gears

Precision Shoulder Screws Hexagon Socket Head

Ti-6Al-4V Grade 5 Titanium Shoulder Screws **M2 - M4**

Titanium Shoulder Screws

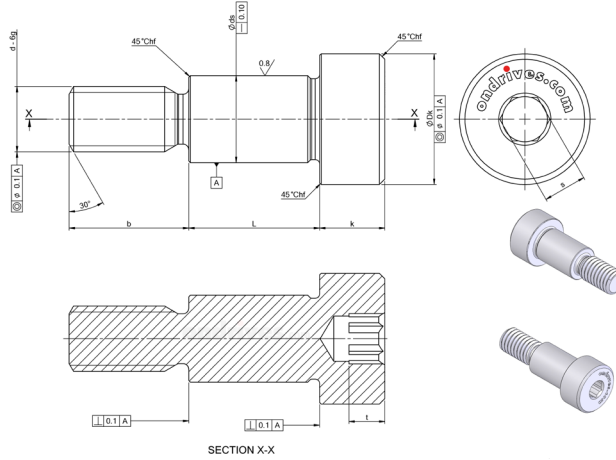
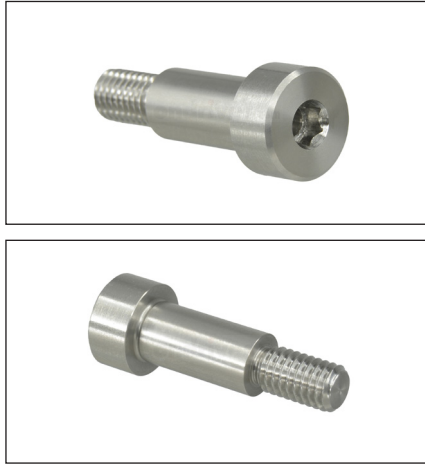
Part Numbers	Thread	Shoulder Diameter	Shoulder Length	Head Diameter	Head Length	Thread Length	Hexagon Socket	Hexagon Depth
Ti-6Al-4V Grade 5 Titanium	d	ds	L	Dk	k	b	s	t
SHST	Metric - 6g	+0.005/-0.025	+0.05/-0		k	b	s	t
SHST2-2	M2	Ø 2.987	2.013	Ø 5	2	4	1.5	1
SHST2-4	M2	Ø 2.987	4.013	Ø 5	2	4	1.5	1
SHST2-6	M2	Ø 2.987	6.013	Ø 5	2	4	1.5	1
SHST2-8	M2	Ø 2.987	8.013	Ø 5	2	4	1.5	1
SHST2.5-4	M2.5	Ø 3.987	4.013	Ø 6	3	4	2	1.6
SHST2.5-6	M2.5	Ø 3.987	6.013	Ø 6	3	4	2	1.6
SHST2.5-8	M2.5	Ø 3.987	8.013	Ø 6	3	4	2	1.6
SHST2.5-10	M2.5	Ø 3.987	10.013	Ø 6	3	4	2	1.6
SHST2.5-12	M2.5	Ø 3.987	12.013	Ø 6	3	4	2	1.6
SHST3-4	M3	Ø 3.987	4.013	Ø 6	3	4	2	1.6
SHST3-5	M3	Ø 3.987	5.013	Ø 6	3	4	2	1.6
SHST3-6	M3	Ø 3.987	6.013	Ø 6	3	4	2	1.6
SHST3-8	M3	Ø 3.987	8.013	Ø 6	3	4	2	1.6
SHST3-10	M3	Ø 3.987	10.013	Ø 6	3	4	2	1.6
SHST3-12	M3	Ø 3.987	12.013	Ø 6	3	4	2	1.6
SHST3-14	M3	Ø 3.987	14.013	Ø 6	3	4	2	1.6
SHST3-16	M3	Ø 3.987	16.013	Ø 6	3	4	2	1.6
SHST3-20	M3	Ø 3.987	20.013	Ø 6	3	4	2	1.6
SHST3-25	M3	Ø 3.987	25.013	Ø 6	3	4	2	1.6
SHST4-4	M4	Ø 4.987	4.013	Ø 8	4	5	2.5	2
SHST4-5	M4	Ø 4.987	5.013	Ø 8	4	5	2.5	2
SHST4-6	M4	Ø 4.987	6.013	Ø 8	4	5	2.5	2
SHST4-8	M4	Ø 4.987	8.013	Ø 8	4	5	2.5	2
SHST4-10	M4	Ø 4.987	10.013	Ø 8	4	5	2.5	2
SHST4-12	M4	Ø 4.987	12.013	Ø 8	4	5	2.5	2
SHST4-14	M4	Ø 4.987	14.013	Ø 8	4	5	2.5	2
SHST4-16	M4	Ø 4.987	16.013	Ø 8	4	5	2.5	2
SHST4-20	M4	Ø 4.987	20.013	Ø 8	4	5	2.5	2
SHST4-25	M4	Ø 4.987	25.013	Ø 8	4	5	2.5	2
SHST4-30	M4	Ø 4.987	30.013	Ø 8	4	5	2.5	2
SHST4-40	M4	Ø 4.987	40.013	Ø 8	4	5	2.5	2

Material: Ti-6Al-4V Grade 5 • (UNS R56400) • min 1,100 N/mm² Titanium

ondrives
Precision Gears

T: +44 1246 455500
sales@ondrives.com www.ondrives.com
Updated March 2024 subject to change for use as a guide only.

Precision Shoulder Screws Hexagon Socket Head Ti-6Al-4V Grade 5 Titanium Shoulder Screws **M5 - M6**



Part Numbers	Thread	Shoulder Diameter	Shoulder Length	Head Diameter	Head Length	Thread Length	Hexagon Socket	Hexagon Depth
Ti-6Al-4V Grade 5 Titanium	d	ds	L	Dk	k	b	s	t
SHST	Metric - 6g	+0.005/-0.025	+0.05/-0					
SHST5-4	M5	Ø 5.987	4.013	Ø 10	5	6	3	2.4
SHST5-5	M5	Ø 5.987	5.013	Ø 10	5	6	3	2.4
SHST5-6	M5	Ø 5.987	6.013	Ø 10	5	6	3	2.4
SHST5-8	M5	Ø 5.987	8.013	Ø 10	5	6	3	2.4
SHST5-10	M5	Ø 5.987	10.013	Ø 10	5	6	3	2.4
SHST5-12	M5	Ø 5.987	12.013	Ø 10	5	6	3	2.4
SHST5-14	M5	Ø 5.987	14.013	Ø 10	5	6	3	2.4
SHST5-16	M5	Ø 5.987	16.013	Ø 10	5	6	3	2.4
SHST5-20	M5	Ø 5.987	20.013	Ø 10	5	6	3	2.4
SHST5-25	M5	Ø 5.987	25.013	Ø 10	5	6	3	2.4
SHST5-30	M5	Ø 5.987	30.013	Ø 10	5	6	3	2.4
SHST5-40	M5	Ø 5.987	40.013	Ø 10	5	6	3	2.4
SHST5-50	M5	Ø 5.987	50.013	Ø 10	5	6	3	2.4
SHST5-60	M5	Ø 5.987	60.013	Ø 10	5	6	3	2.4
SHST6-6	M6	Ø 7.987	6.013	Ø 12	6	11	4	3.2
SHST6-8	M6	Ø 7.987	8.013	Ø 12	6	11	4	3.2
SHST6-10	M6	Ø 7.987	10.013	Ø 12	6	11	4	3.2
SHST6-12	M6	Ø 7.987	12.013	Ø 12	6	11	4	3.2
SHST6-16	M6	Ø 7.987	16.013	Ø 12	6	11	4	3.2
SHST6-20	M6	Ø 7.987	20.013	Ø 12	6	11	4	3.2
SHST6-25	M6	Ø 7.987	25.013	Ø 12	6	11	4	3.2
SHST6-30	M6	Ø 7.987	30.013	Ø 12	6	11	4	3.2
SHST6-40	M6	Ø 7.987	40.013	Ø 12	6	11	4	3.2
SHST6-50	M6	Ø 7.987	50.013	Ø 12	6	11	4	3.2
SHST6-60	M6	Ø 7.987	60.013	Ø 12	6	11	4	3.2
SHST6-100	M6	Ø 7.987	100.013	Ø 12	6	11	4	3.2

Titanium Shoulder Screws

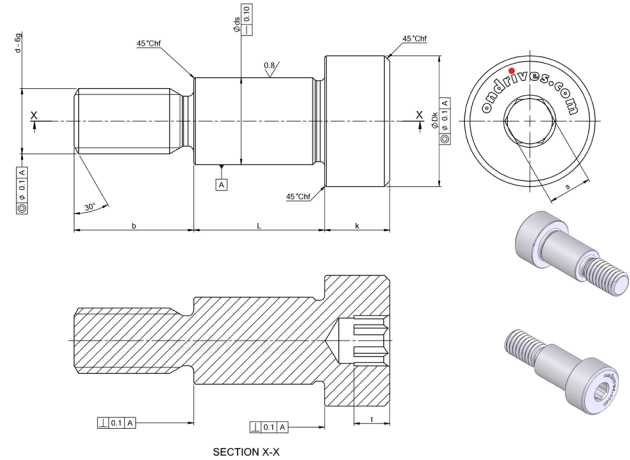
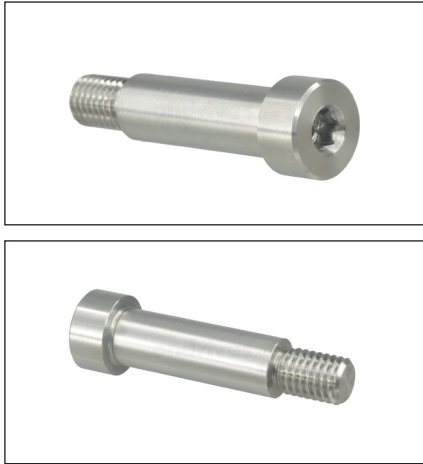
Material: Ti-6Al-4V Grade 5 • (UNS R56400) • min 1,100 N/mm² Titanium

SHST

ondrives

Precision Gears

Precision Shoulder Screws Hexagon Socket Head

Ti-6Al-4V Grade 5 Titanium Shoulder Screws **M6 - M10**

Titanium Shoulder Screws

Part Numbers	Thread	Shoulder Diameter	Shoulder Length	Head Diameter	Head Length	Thread Length	Hexagon Socket	Hexagon Depth
Ti-6Al-4V Grade 5 Titanium	d	ds	L	Dk	k	b	s	t
SHST	Metric - 6g	+0.005/-0.025	+0.05/-0		k	b	s	t
SHST6.1-8	M6	Ø 9.987	8.013	Ø 12	6	11	4	3.2
SHST6.1-10	M6	Ø 9.987	10.013	Ø 12	6	11	4	3.2
SHST6.1-12	M6	Ø 9.987	12.013	Ø 12	6	11	4	3.2
SHST6.1-16	M6	Ø 9.987	16.013	Ø 12	6	11	4	3.2
SHST8-8	M8	Ø 9.987	8.013	Ø 14	7	12	5	4
SHST8-10	M8	Ø 9.987	10.013	Ø 14	7	12	5	4
SHST8-12	M8	Ø 9.987	12.013	Ø 14	7	12	5	4
SHST8-16	M8	Ø 9.987	16.013	Ø 14	7	12	5	4
SHST8-20	M8	Ø 9.987	20.013	Ø 14	7	12	5	4
SHST8-25	M8	Ø 9.987	25.013	Ø 14	7	12	5	4
SHST8-30	M8	Ø 9.987	30.013	Ø 14	7	12	5	4
SHST8-40	M8	Ø 9.987	40.013	Ø 14	7	12	5	4
SHST8-45	M8	Ø 9.987	45.013	Ø 14	7	12	5	4
SHST8-50	M8	Ø 9.987	50.013	Ø 14	7	12	5	4
SHST8-60	M8	Ø 9.987	60.013	Ø 14	7	12	5	4
SHST8-80	M8	Ø 9.987	80.013	Ø 14	7	12	5	4
SHST8-100	M8	Ø 9.987	100.013	Ø 14	7	12	5	4
SHST10-12	M10	Ø 11.987	12.013	Ø 20	8	16	6	4.8
SHST10-16	M10	Ø 11.987	16.013	Ø 20	8	16	6	4.8
SHST10-20	M10	Ø 11.987	20.013	Ø 20	8	16	6	4.8
SHST10-25	M10	Ø 11.987	25.013	Ø 20	8	16	6	4.8
SHST10-30	M10	Ø 11.987	30.013	Ø 20	8	16	6	4.8
SHST10-40	M10	Ø 11.987	40.013	Ø 20	8	16	6	4.8
SHST10-50	M10	Ø 11.987	50.013	Ø 20	8	16	6	4.8
SHST10-60	M10	Ø 11.987	60.013	Ø 20	8	16	6	4.8
SHST10-80	M10	Ø 11.987	80.013	Ø 20	8	16	6	4.8
SHST10-100	M10	Ø 11.987	100.013	Ø 20	8	16	6	4.8

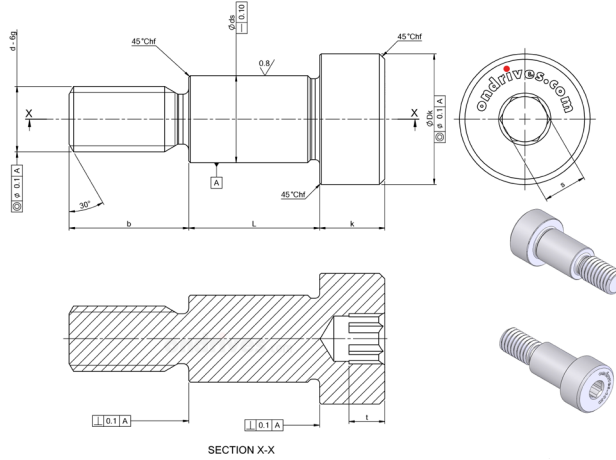
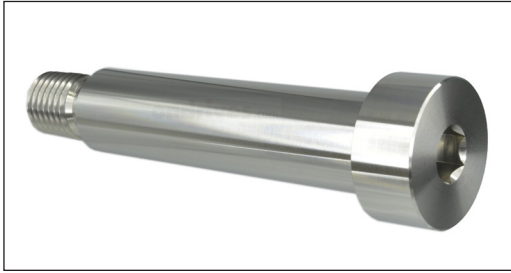
Material: Ti-6Al-4V Grade 5 • (UNS R56400) • min 1,100 N/mm² Titanium

ondrives
Precision Gears

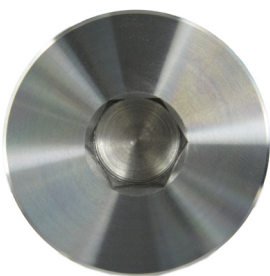
T: +44 1246 455500
sales@ondrives.com www.ondrives.com
Updated March 2024 subject to change for use as a guide only.

Precision Shoulder Screws Hexagon Socket Head

Ti-6Al-4V Grade 5 Titanium Shoulder Screws **M12 - M20**



Part Numbers	Thread	Shoulder Diameter	Shoulder Length	Head Diameter	Head Length	Thread Length	Hexagon Socket	Hexagon Depth
Ti-6Al-4V Grade 5 Titanium	d	ds	L	Dk	k	b	s	t
SHST	Metric - 6g	+0.005/-0.025	+0.05/-0					
SHST12-20	M12	Ø 15.987	20.013	Ø 24	11	18	8	6.6
SHST12-30	M12	Ø 15.987	30.013	Ø 24	11	18	8	6.6
SHST12-40	M12	Ø 15.987	40.013	Ø 24	11	18	8	6.6
SHST12-50	M12	Ø 15.987	50.013	Ø 24	11	18	8	6.6
SHST12-60	M12	Ø 15.987	60.013	Ø 24	11	18	8	6.6
SHST12-80	M12	Ø 15.987	80.013	Ø 24	11	18	8	6.6
SHST12-100	M12	Ø 15.987	100.013	Ø 24	11	18	8	6.6
SHST12-120	M12	Ø 15.987	120.013	Ø 24	11	18	8	6.6
SHST16-40	M16	Ø 19.987	40.013	Ø 30	14	22	10	9
SHST16-50	M16	Ø 19.987	50.013	Ø 30	14	22	10	9
SHST16-60	M16	Ø 19.987	60.013	Ø 30	14	22	10	9
SHST16-80	M16	Ø 19.987	80.013	Ø 30	14	22	10	9
SHST16-100	M16	Ø 19.987	100.013	Ø 30	14	22	10	9
SHST16-120	M16	Ø 19.987	120.013	Ø 30	14	22	10	9
SHST20-40	M20	Ø 24.987	40.013	Ø 36	16	27	12	10
SHST20-60	M20	Ø 24.987	60.013	Ø 36	16	27	12	10
SHST20-80	M20	Ø 24.987	80.013	Ø 36	16	27	12	10
SHST20-100	M20	Ø 24.987	100.013	Ø 36	16	27	12	10
SHST20-120	M20	Ø 24.987	120.013	Ø 36	16	27	12	10



Titanium Shoulder Screws

SHST

Material: Ti-6Al-4V Grade 5 • (UNS R56400) • min 1,100 N/mm² Titanium